

# Magnetostrictive level transmitter

## High-resolution measurement principle, for industrial applications

### Model FLM-CM

WIKA data sheet LM 20.05

#### Applications

- High-accuracy level detection for liquid media
- For machine building, power generating equipment and mobile working machines

#### Special features

- Compact and space-saving design for industrial applications
- Output signal 4 ... 20 mA (NAMUR NE43)
- Operating limits:
  - Operating temperature:  $T = -40 \dots +125 \text{ }^{\circ}\text{C}$
  - Operating pressure:  $P = \text{Vacuum to } 40 \text{ bar}$
  - Limit density:  $\rho \geq 680 \text{ kg/m}^3$

#### Description

The model FLM-CM magnetostrictive level transmitter is used for the high-accuracy, continuous level detection of liquids in industrial applications and is based on determining the position of a magnetic float according to the magnetostrictive measurement principle.

The FLM-CM emits a 4 ... 20 mA output signal, which is configured via a USB adapter and the electrical coupler connector. Probe lengths of 100 mm to 1 m and also various temperature and pressure ranges are possible.



Mounting thread, cylinder float from stainless steel

## Approvals

Logo	Description	Country
	<b>EU declaration of conformity</b> <ul style="list-style-type: none"> <li>■ EMC directive EN 61326 emission (group 1, class B) and immunity (industrial application)</li> <li>■ RoHS directive</li> </ul>	European Union

Approvals and certificates, see website

## Specifications

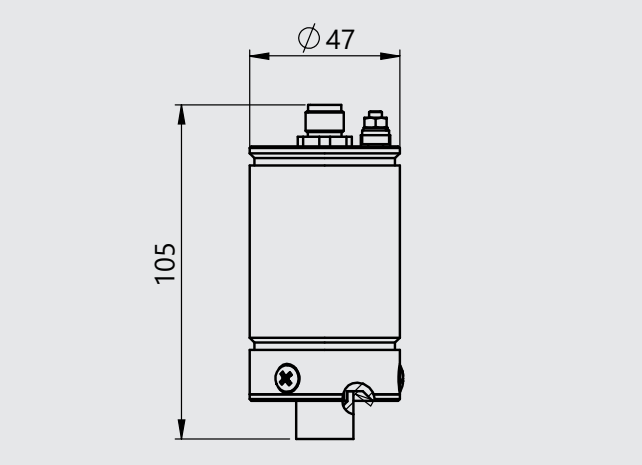
Magnetostrictive level transmitter, model FLM-CM	
Guide tube	Ø 6 mm (max. 1,000 mm)
Process connection	Mounting thread downwards <ul style="list-style-type: none"> <li>■ G 1/2" ... G 2"</li> <li>■ NPT 1/2" ... NPT 2"</li> </ul> Other process connections on request
Materials	
Wetted parts	Stainless steel 1.4571 (316Ti)
Connection head	Stainless steel 1.4305 (303)
Insertion length	100 ... 1,000 mm
Measurement accuracy	±2.5 mm
Resolution	0.1 mm
Electrical connection	Circular connector M12
Supply voltage	DC 8 ... 30 V
Output signal	4 ... 20 mA (NAMUR NE43)
Operating pressure	Depending on the float, max. 40 bar
Operating temperature	-40 ... +125 °C
Ambient temperature	-40 ... +85 °C
Ingress protection per EN 60529	IP68
Configuration	Via USB adapter with corresponding software and standard computer Order number: 14361280

## Float

Material	Version	Description	Suits guide tube Ø in mm	Minimum dimension U in mm	Max. operating pressure in bar	Limit density 85 % in kg/m <sup>3</sup>
Stainless steel 1.4571 (316Ti)	V18/42A	Cylinder Ø 18 mm	6	48	6	800
	V27A	Cylinder Ø 27 mm	6	22	16	700
	V29A	Sphere Ø 29 mm	6	20	25	920
Titanium 3.7035 (grade 2)	T29A	Sphere Ø 29 mm	6	21	30	700
Buna (NBR)	B20A	Cylinder Ø 20 mm	6	26	3	940
	B25A	Cylinder Ø 25 mm	6	20	3	790
	B30A	Cylinder Ø 30 mm	6	51	3	680

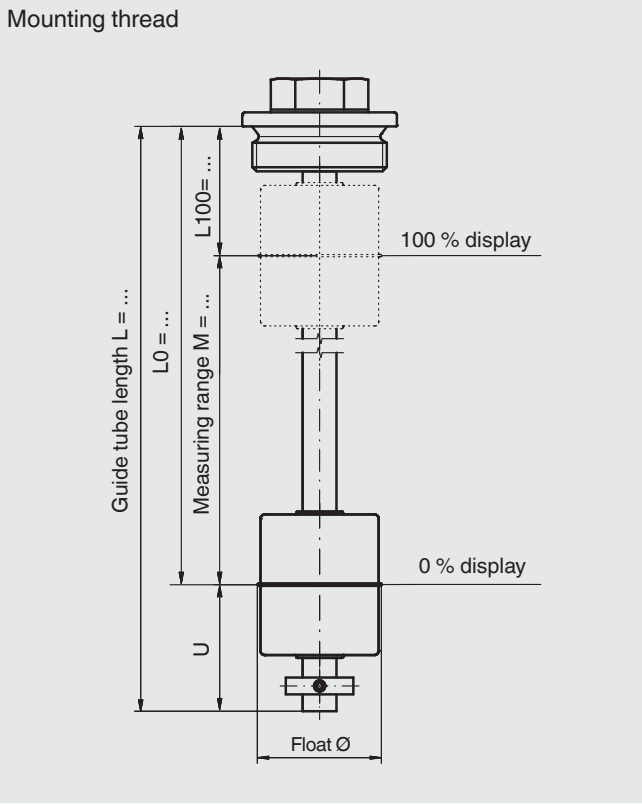
# Dimensions in mm

## ■ Read-out unit



## ■ Sensor unit

Mounting thread



**Ordering information**

Model / Version / Electrical connection / Process connection / Guide tube diameter / Guide tube length (insertion length) L / 100 % mark L1 / Measuring range M (span 0 ... 100 %) / Process specifications (operating temperature and pressure, limit density) / Options

© 09/2019 WIKA Alexander Wiegand SE & Co. KG, all rights reserved.  
The specifications given in this document represent the state of engineering at the time of publishing.  
We reserve the right to make modifications to the specifications and materials.



**WIKA Alexander Wiegand SE & Co. KG**  
Alexander-Wiegand-Straße 30  
63911 Klingenberg/Germany  
Tel. +49 9372 132-0  
Fax +49 9372 132-406  
info@wika.de  
www.wika.de