



Fall Protection

Model Numbers
AK203AG, AK203AS,
AK204AG, AK204AS,
AK205AG, AK205AG10,
AK205AS, AK205AT,
AK206AG, AK206AS,
AK207AG, AK207AS,
AK210AG, AK210AS

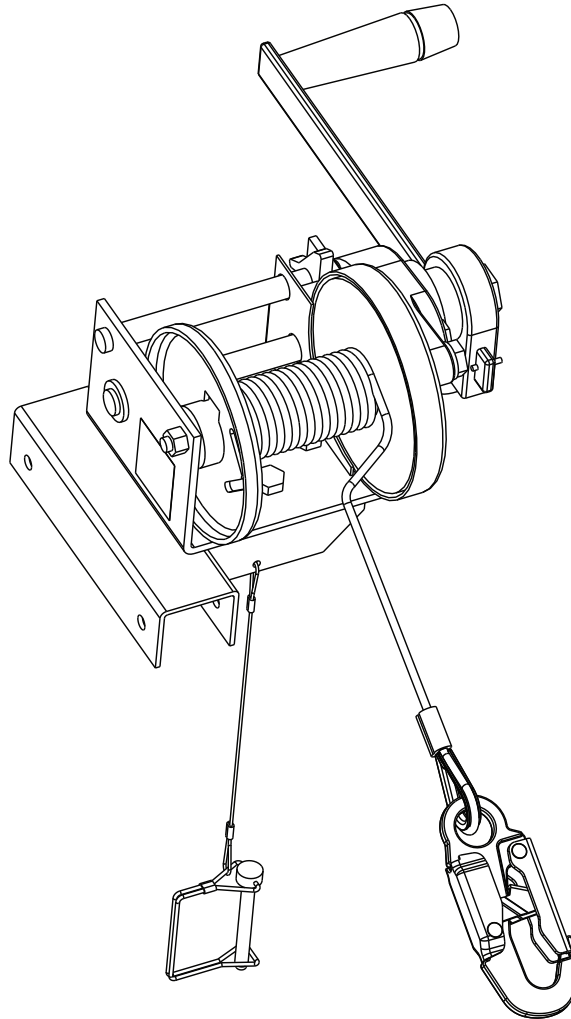
MAN-RATED BRAKE WINCHES

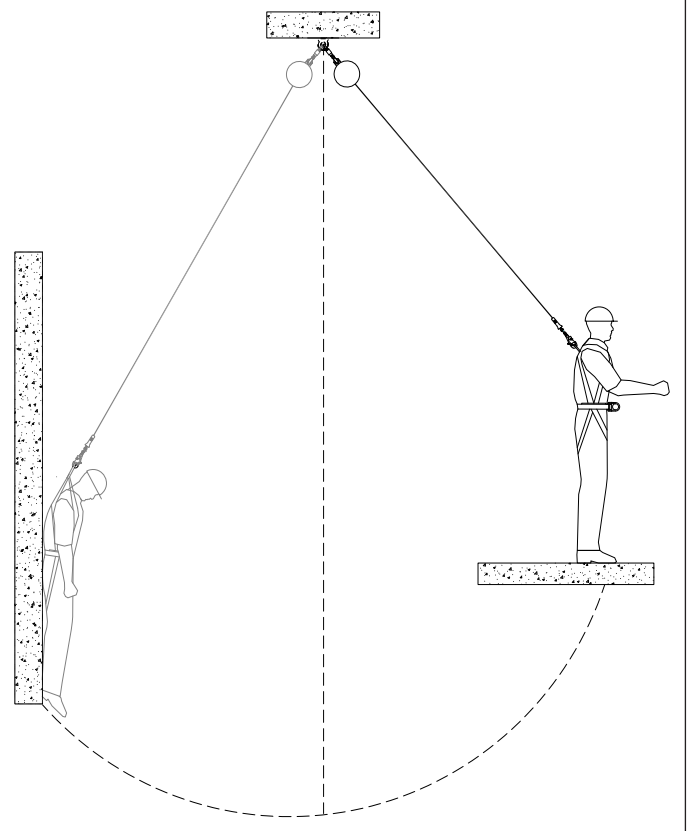
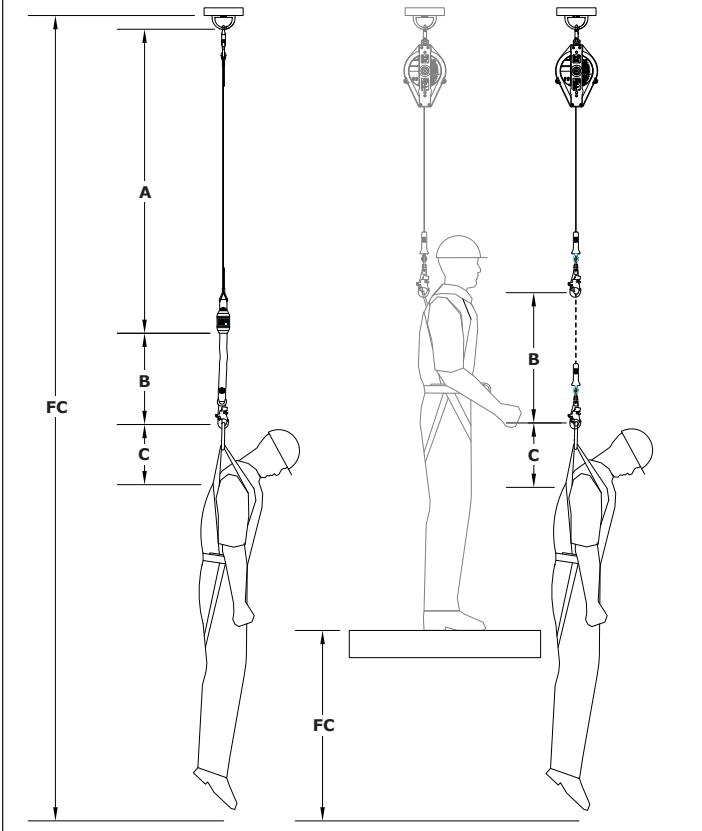
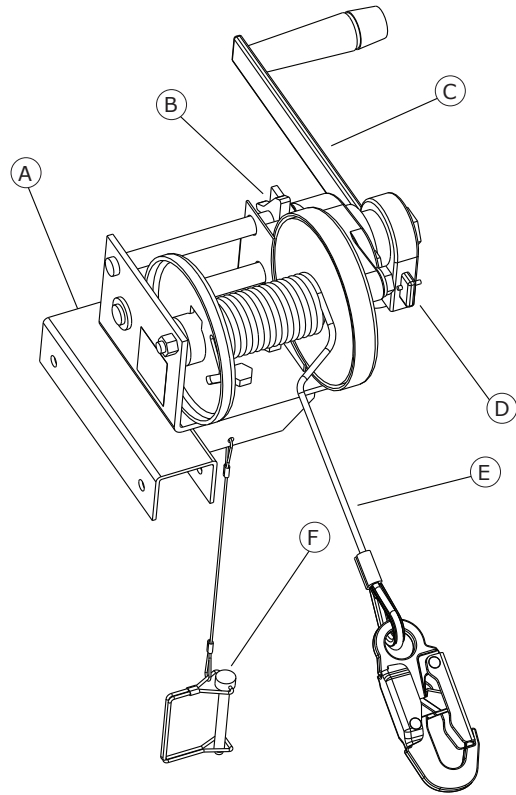
Confined Space Entry/Rescue

USER INSTRUCTION MANUAL

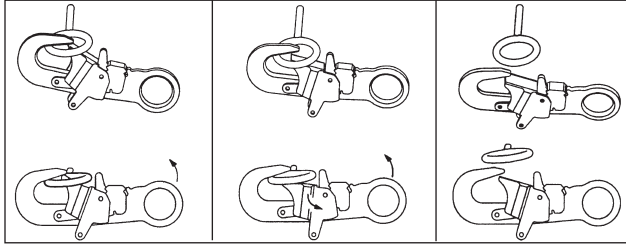
5902213 REV. D

1





5

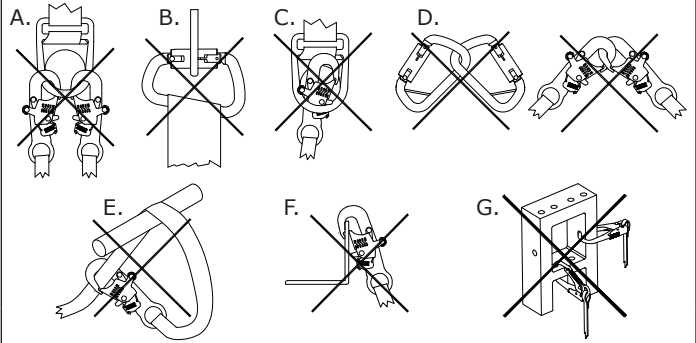


A

B

C

6



A.

B.

C.

D.

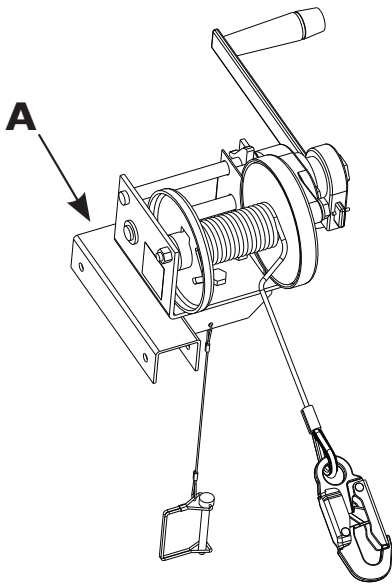
E.

F.

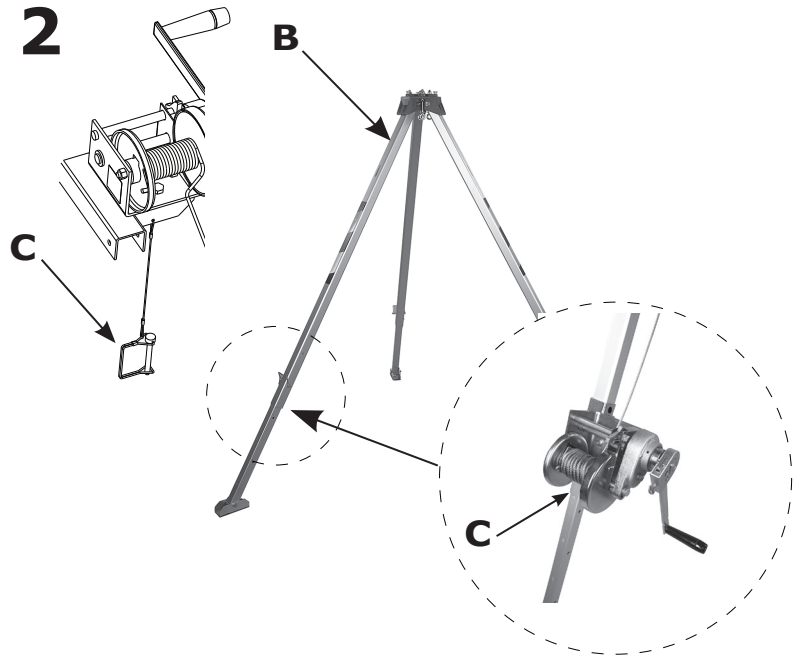
G.

7

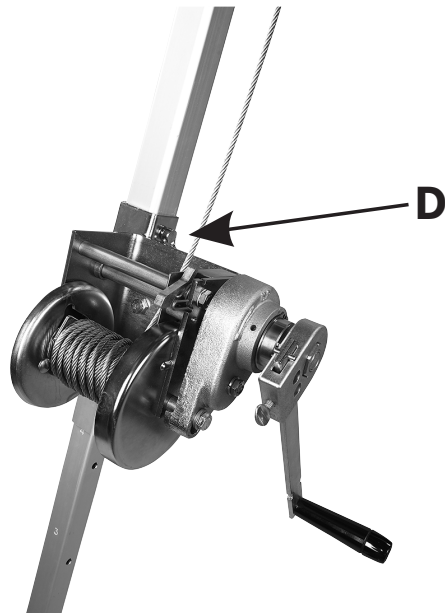
1



2



3



A



3M.com/FallProtection

BRAKE WINCH
READ WARNINGS AND USE
INSTRUCTIONS CAREFULLY



WARNING

Not For Moving Humans Without A Protecta Fall Arrester.
Maximum personnel load capacity: 300 lbs

1

MODEL NO.

2

DATE:

LENGTH:

Maintain at least 4 wraps of
cable on the winch drum at
all times.

9508250 Rev. B

3

SAFETY INFORMATION

Please read, understand, and follow all safety information contained in these instructions prior to the use of this Confined Space Entry/Rescue Device. FAILURE TO DO SO COULD RESULT IN SERIOUS INJURY OR DEATH.

These instructions must be provided to the user of this equipment. Retain these instructions for future reference.

Intended Use:

This Confined Space Entry/Rescue Device is intended for use as part of a complete personal fall protection or rescue system.

Use in any other application including, but not limited to, non-approved material handling applications, recreational or sports related activities, or other activities not described in the User Instructions or Installation Instructions is not approved by 3M and could result in serious injury or death.

This device is only to be used by trained users in workplace applications.

WARNING

This Confined Space Entry/Rescue Device is part of a personal fall protection or rescue system. It is expected that all users be fully trained in the safe installation and operation of the complete system. **Misuse of this device could result in serious injury or death.** For proper selection, operation, installation, maintenance, and service, refer to all Product Instructions and all manufacturer recommendations, see your supervisor, or contact 3M Technical Service.

- **To reduce the risks associated with working with a Confined Space Entry/Rescue Device which, if not avoided, could result in serious injury or death:**
 - Inspect the device before each use, at least annually, and after any fall event. Inspect in accordance with the User Instructions.
 - If inspection reveals an unsafe or defective condition, remove the device from service and repair or replace according to the User Instructions.
 - Any device that has been subject to fall arrest or impact force must be immediately removed from service. Refer to the User Instructions or contact 3M Fall Protection.
 - The device must only be installed in the manner detailed in the Installation Instructions or User Instructions. Installations and use outside the scope of the instruction must be approved in writing by 3M Fall Protection.
 - The substrate or structure to which the device is attached must be able to sustain the static loads specified for the device in the orientations permitted in the User Instructions or Installation Instructions.
 - Do not exceed the number of allowable users.
 - Never work below a suspended load or worker.
 - Use caution when installing, using, and moving the device as moving parts may create potential pinch points. Refer to the User Instructions.
 - Ensure proper lockout/tagout procedures have been followed as applicable.
 - Never attach to a system until it is positioned, fully assembled, adjusted, and installed. Do not adjust the system while a user is attached.
 - Only connect fall protection subsystems to the designated anchorage connection point on the device.
 - Prior to drilling or fastening, ensure no electric lines, gas lines, or other critical embedded systems will be contacted by the drill or the device.
 - Ensure that fall protection systems/subsystems assembled from components made by different manufacturers are compatible and meet the requirements of applicable standards, including the ANSI Z359 or other applicable fall protection codes, standards, or requirements. Always consult a Competent or Qualified Person before using these systems.

- **To reduce the risks associated with working at height which, if not avoided, could result in serious injury or death:**
 - Ensure your health and physical condition allow you to safely withstand all of the forces associated with working at height. Consult with your doctor if you have any questions regarding your ability to use this equipment.
 - Never exceed allowable capacity of your fall protection equipment.
 - Never exceed maximum free fall distance of your fall protection equipment.
 - Do not use any fall protection equipment that fails pre-use or other scheduled inspections, or if you have concerns about the use or suitability of the equipment for your application. Contact 3M Technical Services with any questions.
 - Some subsystem and component combinations may interfere with the operation of this equipment. Only use compatible connections. Consult 3M prior to using this equipment in combination with components or subsystems other than those described in the User Instructions.
 - Use extra precautions when working around moving machinery (e.g. top drive of oil rigs) electrical hazards, extreme temperatures, chemical hazards, explosive or toxic gases, sharp edges, or below overhead materials that could fall onto you or the fall protection equipment.
 - Use Arc Flash or Hot Works devices when working in high heat environments.
 - Avoid surfaces and objects that can damage the user or equipment.
 - Ensure there is adequate fall clearance when working at height.
 - Never modify or alter your fall protection equipment. Only 3M or parties authorized in writing by 3M may make repairs to the equipment.
 - Prior to use of fall protection equipment, ensure a rescue plan is in place which allows for prompt rescue if a fall incident occurs.
 - If a fall incident occurs, immediately seek medical attention for the worker who has fallen.
 - Do not use a body belt for fall arrest applications. Use only a Full Body Harness.
 - Minimize swing falls by working as directly below the anchorage point as possible.
 - If training with this device, a secondary fall protection system must be utilized in a manner that does not expose the trainee to an unintended fall hazard.
 - Always wear appropriate personal protective equipment when installing, using, or inspecting the device/system.

Prior to installation and use of this equipment, record the product identification information from the ID label in the Inspection and Maintenance Log (Table 2) at the back of this manual.

PRODUCT DESCRIPTION:

Figure 1 illustrates the 3M™ DBI-SALA™ Protecta Winch. The Protecta Winch must be used with a Protecta Fall Arrest System if fall protection is the objective. The Protecta Winch itself is not approved for fall protection. See cover for model numbers.

Figure 2 illustrates components of the Protecta Winch. The Winch is comprised of a Winch Base Plate (A), Ratchet Pawl (B), Winch Handle (C), Handle Drive Hubs (D), Winch Cable (E), and Winch Base Locking Pin (F). See Table 1 for Component Specifications.

Table 1 – Specifications

System Specifications:	
Personnel Load Capacity:	1 Person with a combined weight (clothing, tools, etc.) of no more than 300 lbs (136 kg) ¹ .
Material Load Capacity	1,000 lbs (453 kg)
Winch Cable	3/16 inch stainless steel cable 3/16 inch galvanized steel cable

Component Specifications:	
Figure 2 Reference	Component
(A)	Winch Base Plate
(B)	Ratchet Pawl
(C)	Winch Handle
(D)	Handle Drive Hubs
(E)	Winch Cable
(F)	Winch Base Locking Pin

1 Capacity: 300 lbs (136 kg) is the capacity range required by ANSI. This product has been tested to a 420 lbs (191 kg) Maximum Capacity per OSHA.

2 Qualified Person: An individual with a recognized degree or professional certificate, and extensive experience in Fall Protection. This individual must be capable of design, analysis, evaluation, and specification in Fall Protection.

1.0 PRODUCT APPLICATION

- 1.1 PURPOSE:** Confined Space Systems are designed to provide anchorage connection points for Fall Arrest¹ or Fall Restraint² systems: Restraint, Work Positioning, Personnel Riding, Rescue, etc.

Fall Protection Only: This Confined Space System is for connection of Fall Protection Equipment. Do not connect Lifting Equipment to this Confined Space System.

- 1.2 STANDARDS:** Your Confined Space System conforms to the national or regional standard(s) identified on the front cover of these instructions. If this product is resold outside the original country of destination, the re-seller must provide these instructions in the language of the country in which the product will be used.
- 1.3 SUPERVISION:** Installation of this equipment must be supervised by a Qualified Person³. Use of this equipment must be supervised by a Competent Person⁴.
- 1.4 TRAINING:** This equipment must be installed and used by persons trained in its correct application. This manual is to be used as part of an employee training program as required by ANSI. It is the responsibility of the users and installers of this equipment to ensure they are familiar with these instructions, trained in the correct care and use of this equipment, and are aware of the operating characteristics, application limitations, and consequences of improper use of this equipment.
- 1.5 RESCUE PLAN:** When using this equipment and connecting subsystem(s), the employer must have a rescue plan and the means at hand to implement and communicate that plan to users, authorized persons⁵, and rescuers⁶. A trained, on-site rescue team is recommended. Team members should be provided with the equipment and techniques to perform a successful rescue. Training should be provided on a periodic basis to ensure rescuer proficiency.
- 1.6 INSPECTION FREQUENCY:** The Confined Space System shall be inspected by the user before each use and, additionally, by a competent person other than the user at intervals of no longer than one year.⁷ Inspection procedures are described in the "Inspection and Maintenance Log". Results of each Competent Person inspection should be recorded on copies of the "Inspection and Maintenance Log".
- 1.7 AFTER A FALL:** If the Confined Space System is subjected to the forces of arresting a fall, it must be removed from service immediately and destroyed.

2.0 SYSTEM REQUIREMENTS

- 2.1 ANCHORAGE:** Anchorage requirements vary with the fall protection application. Structure on which the Confined Space System is placed or mounted must meet the Anchorage specifications defined in Table 1.
- 2.2 PERSONAL FALL ARREST SYSTEM:** Figure 1 illustrates the application of this Confined Space System. Personal Fall Arrest Systems (PFAS) used with the system must meet applicable Fall Protection standards, codes, and requirements. The PFAS must incorporate a Full Body Harness, have a Maximum Permissible Free Fall of 6 ft (1.8 m), and limit Average Arresting Force to the following values:

PFAS with Shock Absorbing Lanyard	900 lb (4 kN)
PFAS with Self Retracting Device	900 lb (4 kN)

- 2.3 FALL PATH AND SRD LOCKING SPEED:** A clear path is required to assure positive locking of an SRD. Situations which do not allow for an unobstructed fall path should be avoided. Working in confined or cramped spaces may not allow the body to reach sufficient speed to cause the SRD to lock if a fall occurs. Working on slowly shifting material, such as sand or grain, may not allow enough speed buildup to cause the SRD to lock.
- 2.4 HAZARDS:** Use of this equipment in areas with environmental hazards may require additional precautions to prevent injury to the user or damage to the equipment. Hazards may include, but are not limited to: heat, chemicals, corrosive environments, high voltage power lines, explosive or toxic gases, moving machinery, sharp edges, or overhead materials that may fall and contact the user or Personal Fall Arrest System.
- 2.5 FALL CLEARANCE:** Figure 3 illustrates the components of a Fall Arrest. There must be sufficient Fall Clearance (FC) to arrest a fall before the user strikes the ground or other obstruction. Clearance is affected by a number of factors including: (A) Anchorage Location, (B) Lanyard Length, (C) Lanyard Deceleration Distance or SRD Maximum Arrest Distance, (D) Harness Stretch and D-Ring/Connector Length and Settling (typically a Safety Factor of 1 m). Refer to the instructions included with your Fall Arrest subsystem for specifics regarding Fall Clearance calculation.
- 2.6 SWING FALLS:** Swing Falls occur when the anchorage point is not directly above the point where a fall occurs (see Figure 4). The force of striking an object in a swing fall may cause serious injury or death. Minimize swing falls by working as directly below the anchorage point as possible. Do not permit a swing fall if injury could occur. Swing falls will significantly increase the clearance required when a Self-Retracting Device or other variable length connecting subsystem is used.

1 Fall Arrest System: A collection of Fall Protection Equipment configured to arrest a free fall.

2 Fall Restraint System: A collection of Fall Protection Equipment configured to prevent the person's center of gravity from reaching a fall hazard.

3 Qualified Person: An individual with a recognized degree or professional certificate, and extensive experience in Fall Protection. This individual must be capable of design, analysis, evaluation, and specification in Fall Protection.

4 Competent Person: One who is capable of identifying existing and predictable hazards in the surroundings or working conditions which are unsanitary, hazardous, or dangerous to employees, and who has authorization to take prompt corrective measures to eliminate them.

5 Authorized Person: For purposes of the Z359 standards, a person assigned by the employer to perform duties at a location where the person will be exposed to a fall hazard.

6 Rescuer: Person or persons other than the rescue subject acting to perform an assisted rescue by operation of a rescue system.

7 Inspection Frequency: Extreme working conditions (harsh environments, prolonged use, etc.) may require increasing the frequency of competent person inspections.

2.7 COMPONENT COMPATIBILITY: 3M equipment is designed for use with 3M approved components and subsystems only. Substitutions or replacements made with non-approved components or subsystems may jeopardize compatibility of equipment and may effect the safety and reliability of the complete system.

2.8 CONNECTOR COMPATIBILITY: Connectors are considered to be compatible with connecting elements when they have been designed to work together in such a way that their sizes and shapes do not cause their gate mechanisms to inadvertently open regardless of how they become oriented. Contact 3M if you have any questions about compatibility. Connectors (hooks, carabiners, and D-rings) must be capable of supporting at least 5,000 lbs. (22.2 kN). Connectors must be compatible with the anchorage or other system components. Do not use equipment that is not compatible. Non-compatible connectors may unintentionally disengage (see Figure 5). Connectors must be compatible in size, shape, and strength. If the connecting element to which a snap hook or carabiner attaches is undersized or irregular in shape, a situation could occur where the connecting element applies a force to the gate of the snap hook or carabiner (A). This force may cause the gate to open (B), allowing the snap hook or carabiner to disengage from the connecting point (C). See Figure 3.

Self-locking snap hooks and carabiners are required by ANSI Z359 and OSHA.

2.9 MAKING CONNECTIONS: Snap hooks and carabiners used with this equipment must be self-locking. Ensure all connections are compatible in size, shape and strength. Do not use equipment that is not compatible. Ensure all connectors are fully closed and locked.

3M connectors (snap hooks and carabiners) are designed to be used only as specified in each product's user's instructions. See Figure 6 for examples of inappropriate connections. Do not connect snap hooks and carabiners:

- A. To a D-ring to which another connector is attached.
- B. In a manner that would result in a load on the gate. Large throat snap hooks should not be connected to standard size D-rings or similar objects which will result in a load on the gate if the hook or D-ring twists or rotates, unless the snap hook complies is equipped with a 3,600 lb (16 kN) gate. Check the marking on your snap hook to verify that it is appropriate for your application.
- C. In a false engagement, where features that protrude from the snap hook or carabiner catch on the anchor, and without visual confirmation seems to be fully engaged to the anchor point.
- D. To each other.
- E. Directly to webbing or rope lanyard or tie-back (unless the manufacturer's instructions for both the lanyard and connector specifically allows such a connection).
- F. To any object which is shaped or dimensioned such that the snap hook or carabiner will not close and lock, or that roll-out could occur.
- G. In a manner that does not allow the connector to align properly while under load.

3.0 INSTALLATION

Installation of the Protecta Winch must be supervised by a Qualified Person¹. The installation must be certified by a Competent Person² as meeting the criteria for a Certified Anchorage, or that it is capable of supporting the potential forces that could be encountered during a fall.

3.1 PLANNING: Plan your fall protection system prior to installation of the Protecta Winch. Account for all factors that may affect your safety before, during and after a fall. Consider all requirements, limitations, and specifications defined in Section 2 and Table 1.

3.2 INSTALLING THE PROTECTA WINCH: See Figure 7.

1. See Figure 7.1. Remove the brake winch from the shipping container. The Winch Base Plate (A) is pre-installed on the winch and is ready to use (on a tripod).
2. See Figure 7.2. Place the Winch Base Plate on one of the three tripod legs (B). Place the Winch Base Locking Pin (C) that is attached to the base plate through the base plate and the middle hole of the larger leg tube. Lock the pin. This will hold the base plate in position for the next installation step.
3. See Figure 7.3. Remove the pin originally put through the top hole of the leg (D) and place it through the base plate and top hole. Lock the pin in place. The winch is now secured to the tripod.
4. Check to ensure all pins are in their proper holes and securely locked in place.

Always maintain at least 4 wraps of winch line wound on the Winch Drum at all times. With less than 4 wraps of line around the drum, the winch line could come loose and drop the load. The winch line is marked with a red indicator to warn the user to not withdraw more winch line from the Winch Drum.

4.0 USE

4.1 BEFORE EACH USE: Verify that your work area and Personal Fall Arrest System (PFAS) meet all criteria defined in Section 2 and a formal Rescue Plan is in place. Inspect the Protecta Winch per the 'User' inspection points defined on the "Inspection and Maintenance Log" (Table 2). If inspection reveals an unsafe or defective condition, do not use the system. Remove the system from service and destroy, or contact 3M regarding replacement or repair.

Step 1: Attach the Winch Handle by loosening the thumbscrew and aligning the notch in the handle with the point of the hex on the Handle Drive Hub. Slide the handle and Drive Hub over the hex drive shaft until the groove in the hex drive shaft aligns with the flat of the handle. Slide the handle outwards away from the drive hub and tighten the thumbscrew.

Step 2: Ensure the winch gears are lubricated before use.

Step 3: Keep hands away from the winch drum, gears, wire rope, and other moving parts during operation.

Step 4: The Ratchet Pawl must be disengaged in order to lower a load with the winch.

Step 5: Ensure the winch cable is tight when raising or lowering and the cable is wound uniformly around the Winch drum.

Do not further withdraw the winch line from the winch drum when the red cable wrap is visible.

Do not lift or suspend any load over a person.

Do not wrap the wire rope lifeline around a load. Use the snap hook only for connection.

Do not exceed the load rating of the winch.

5.0 INSPECTION

5.1 INSPECTION FREQUENCY: The Protecta Winch must be inspected at the intervals defined in Section 1. Inspection procedures are described in the "Inspection and Maintenance Log" (Table 2). Inspect all other components of the Fall Protection System per the frequencies and procedures defined in the manufacturer's instructions.

5.2 DEFECTS: If inspection reveals an unsafe or defective condition, remove the Protecta Winch from service immediately and contact 3M regarding replacement or repair. Do not attempt to repair the Fall Arrest System.

Authorized Repairs Only: Only 3M or parties authorized in writing may make repairs to this equipment.

5.3 PRODUCT LIFE: The functional life of the Fall Arrest System is determined by work conditions and maintenance. As long as the product passes inspection criteria, it may remain in service.

6.0 MAINTENANCE, SERVICING, STORAGE

6.1 CLEANING: Periodically clean the Winch's metal components with a soft brush, warm water, and a mild soap solution. Ensure parts are thoroughly rinsed with clean water.

1 Qualified Person: An individual with a recognized degree or professional certificate, and extensive experience in Fall Protection. This individual must be capable of design, analysis, evaluation, and specification in Fall Protection.

2 Competent Person: One who is capable of identifying existing and predictable hazards in the surroundings or working conditions which are unsanitary, hazardous, or dangerous to employees, and who has authorization to take prompt corrective measures to eliminate them.

- 6.2 LUBRICATION:** At a minimum of every 6 months, lubricate the Protecta Winch properly to protect from wear and rust. Apply SAE 30 non-detergent oil to the shafts at all friction points. Lubricate the winch gears with gear lubricant.
- 6.3 SERVICE:** Only 3M or parties authorized in writing by 3M may make repairs to this equipment. If the Protecta Winch has been subject to fall force or inspection reveals an unsafe or defective conditions, remove the system from service and contact 3M regarding replacement or repair.
- 6.4 STORAGE AND TRANSPORT:** When not in use, store and transport the Protecta Winch and associated fall protection equipment in a cool, dry, clean environment out of direct sunlight. Avoid areas where chemical vapors may exist. Thoroughly inspect components after extended storage.

7.0 LABELS

Figure 8 illustrates labels on the Protecta Winch. Labels must be replaced if they are not fully legible. Information provided on each label is as follows:


(A)	 Read all instructions. 1) Model Number 2) Year and Month Manufactured / Lot Number ID 3) Length
-----	--

Table 2 – Inspection and Maintenance Log

Inspection Date:		Inspected By:	
Components:	Inspection: (See Section 1 for <i>Inspection Frequency</i>)	User	Competent Person¹
Protecta Winch (Figure 2)	Inspect the Protecta Winch for damage: Inspect all screws, bolts and nuts. Ensure they are securely attached and tight. Check to see if any bolts, nuts or other parts are missing, or have been substituted or altered in any way. Inspect covers and housings. Ensure they are free of cracks, dents, corrosion or other damage.	<input type="checkbox"/>	<input type="checkbox"/>
	Inspect each system component (support structure, back-up fall arrest system, body support, connectors, etc.) according to manufacturer's instructions.	<input type="checkbox"/>	<input type="checkbox"/>
	Inspect entire length of wire rope assembly. Always wear protective gloves when inspecting wire rope.	<input type="checkbox"/>	<input type="checkbox"/>
Labels (Figure 8)	Verify that all labels are securely attached and are legible (see 'Labels')	<input type="checkbox"/>	<input type="checkbox"/>
PFAS and Other Equipment	Additional Personal Fall Arrest System (PFAS) equipment (harness, SRL, etc) that are used with the Winch should be installed and inspected per the manufacturer's instructions.	<input type="checkbox"/>	<input type="checkbox"/>

Serial Number(s):	Date Purchased:
Model Number:	Date of First Use:
Corrective Action/Maintenance:	Approved By:
	Date:
Corrective Action/Maintenance:	Approved By:
	Date:
Corrective Action/Maintenance:	Approved By:
	Date:
Corrective Action/Maintenance:	Approved By:
	Date:
Corrective Action/Maintenance:	Approved By:
	Date:
Corrective Action/Maintenance:	Approved By:
	Date:
Corrective Action/Maintenance:	Approved By:
	Date:
Corrective Action/Maintenance:	Approved By:
	Date:
Corrective Action/Maintenance:	Approved By:
	Date:
Corrective Action/Maintenance:	Approved By:
	Date:
Corrective Action/Maintenance:	Approved By:
	Date:
Corrective Action/Maintenance:	Approved By:
	Date:

1 Competent Person: One who is capable of identifying existing and predictable hazards in the surroundings or working conditions which are unsanitary, hazardous, or dangerous to employees, and who has authorization to take prompt corrective measures to eliminate them.

INFORMACIÓN DE SEGURIDAD

Lea, comprenda y acate toda la información de seguridad incluida en estas instrucciones antes de utilizar el dispositivo de ingreso/rescate en espacio confinado. **DE NO HACERLO, PUEDEN PRODUCIRSE LESIONES O LA MUERTE.**

Estas instrucciones deben entregarse a los usuarios de este equipo. Conserve todas las instrucciones para consultas futuras.

Uso pretendido:

Este dispositivo de ingreso/rescate en espacio confinado ha sido diseñado para utilizarse como parte de un sistema de rescate completo o protección personal contra caídas.

3M no aprueba su uso para ninguna otra aplicación, incluidas, entre otras, las aplicaciones no aprobadas de manipulación de materiales, las actividades de recreación o relacionadas con el deporte u otras actividades no descritas en las Instrucciones para el usuario o las Instrucciones de instalación, ya que podrían ocasionarse lesiones graves o la muerte.

Este dispositivo debe ser utilizado únicamente por usuarios capacitados para aplicaciones en el lugar de trabajo.

ADVERTENCIA

Este dispositivo de ingreso/rescate en espacio confinado forma parte de un sistema de rescate completo o protección personal contra caídas. Se espera que todos los usuarios estén plenamente capacitados para instalar y utilizar con seguridad el sistema completo. **El uso incorrecto de este dispositivo puede provocar lesiones graves o la muerte.** Para la selección, el funcionamiento, la instalación, el mantenimiento y la reparación adecuados, consulte todas las Instrucciones del producto y todas las recomendaciones del fabricante, hable con su supervisor o comuníquese con el Servicio Técnico de 3M.

- **Para reducir los riesgos asociados al trabajo con un dispositivo de ingreso/rescate en espacio confinado, que, de no evitarse, podrían ocasionar lesiones graves o la muerte:**
 - Inspeccione el dispositivo antes de cada uso, al menos una vez por año y después de una caída. La inspección se debe realizar de acuerdo con las Instrucciones para el usuario.
 - Si la inspección revela una condición insegura o defectuosa, retire el dispositivo de servicio, y repare o reemplácelo de acuerdo con las Instrucciones para el usuario.
 - Cualquier dispositivo que haya sido sometido a las fuerzas de detención de caídas o de impacto deberá retirarse inmediatamente del servicio. Consulte las Instrucciones para el usuario o contacte a Protección contra caídas de 3M.
 - El dispositivo solo debe instalarse según lo detallado en las Instrucciones de instalación o las Instrucciones para el usuario. Las instalaciones y el uso fuera del alcance de las instrucciones deben ser aprobados por escrito por 3M Fall Protection.
 - La superficie o la estructura sobre las que se conecta el dispositivo deben poder soportar las cargas estáticas especificadas para el dispositivo en las orientaciones que se permiten en las Instrucciones para el usuario o las Instrucciones de instalación.
 - No exceda la cantidad permitida de usuarios.
 - Nunca trabaje debajo de una carga o un usuario suspendido.
 - Tenga cuidado al instalar, utilizar y mover el dispositivo, ya que las piezas móviles pueden crear posibles puntos de pinzamiento. Consulte las Instrucciones para el usuario.
 - Asegúrese de que se haya cumplido con los procedimientos adecuados de bloqueo/etiquetado según corresponda.
 - Nunca se conecte a un sistema hasta que este se encuentre posicionado, completamente ensamblado, ajustado e instalado. No ajuste el sistema mientras un usuario se encuentre conectado.
 - Solo conecte subsistemas de protección contra caídas al punto de conexión de anclaje designado en el dispositivo.
 - Antes de perforar o ajustar, asegúrese de que el taladro o el dispositivo no entrarán en contacto con líneas eléctricas, tuberías de gas u otros sistemas integrados fundamentales.
 - Asegúrese de que los sistemas y sistemas secundarios de protección contra caídas ensamblados con componentes hechos por diferentes fabricantes sean compatibles y cumplan con los requisitos de las normas vigentes, entre ellas ANSI Z359 u otros códigos, normas o requisitos vigentes de protección contra caídas. Consulte siempre a una persona calificada o competente antes de usar estos sistemas.
- **Para reducir los riesgos asociados con el trabajo en altura que, en caso de no evitarse, podrían ocasionar lesiones graves o muerte:**
 - Asegúrese de que su estado de salud y su condición física le permitan tolerar con seguridad todas las fuerzas asociadas con el trabajo en altura. Consulte a su médico si tiene dudas acerca de su capacidad para utilizar este equipo.
 - Nunca exceda la capacidad permitida del equipo de protección contra caídas.
 - Nunca exceda la distancia máxima de caída libre del equipo de protección contra caídas.
 - No utilice ningún equipo de protección contra caídas que no haya aprobado las inspecciones anteriores al uso u otras inspecciones programadas o si tiene inquietudes acerca del uso o de la idoneidad del equipo para su aplicación. Comuníquese con los Servicios Técnicos de 3M si tiene preguntas.
 - Algunas combinaciones de sistemas secundarios y componentes pueden interferir en el funcionamiento de este equipo. Utilice solamente conexiones compatibles. Consulte con 3M antes de utilizar este equipo junto con componentes o sistemas secundarios distintos de aquellos descritos en las Instrucciones para el usuario.
 - Tome precauciones adicionales al trabajar cerca de maquinaria en movimiento (por ejemplo, el sistema de propulsión superior de una torre petrolera), si hay riesgos eléctricos, temperaturas elevadas, sustancias químicas peligrosas, gases tóxicos o explosivos, bordes filosos o materiales elevados que pudieran caer sobre usted o el equipo de protección contra caídas.
 - Utilice dispositivos Arc Flash o Hot Works cuando trabaje en ambientes con temperaturas elevadas.
 - Evite superficies y objetos que podrían lesionar al usuario o dañar el equipo.
 - Asegúrese de que haya una separación de caída adecuada al trabajar en alturas.
 - Nunca modifique ni altere el equipo de protección contra caídas. Solo 3M o las entidades autorizadas por escrito por 3M pueden hacer reparaciones en el equipo.
 - Antes de usar el equipo de protección contra caídas, asegúrese de que se haya implementado un plan de rescate que permita el rescate inmediato en caso de producirse un incidente de caída.
 - Si se produce un incidente de caída, busque atención médica de inmediato para la persona accidentada.
 - No utilice cinturones corporales para detención de caídas. Utilice únicamente un arnés de cuerpo entero.
 - Trabaje en un lugar situado lo más directamente posible por debajo del punto de anclaje para minimizar la posibilidad de caídas por balanceo.
 - Si está en capacitación con este equipo, debe utilizar un sistema secundario de protección contra caídas de forma tal que el aprendiz no esté expuesto a un riesgo de caída accidental.
 - Lleve puesto siempre un equipo de protección personal apropiado cuando instale, utilice o revise el dispositivo/sistema.

Antes de instalar y utilizar este equipo, anote la información de identificación del producto, que figura en la etiqueta de identificación que se encuentra en el registro de inspección y mantenimiento (Tabla 2) en la parte posterior de este manual.

DESCRIPCIÓN DEL PRODUCTO:

La figura 1 muestra el cabestrante Protecta 3M™ DBI-SALA™. El cabestrante Protecta debe usarse con un sistema de detención de caídas Protecta si el objetivo es la protección contra caídas. El cabestrante Protecta en sí no está aprobado para protección contra caídas. Consulte la contratapa para ver los números de los modelos.

La figura 2 muestra los componentes del cabestrante Protecta. El cabestrante está compuesto de una placa base del cabestrante (A), una traba del trinquete (B), un asa del cabestrante (C), ejes del asa de mando (D), un cable del cabestrante (E) y un pasador de trabado de la base del cabestrante (F). Consulte las especificaciones de los componentes en la Tabla 1.

Tabla 1: especificaciones

Especificaciones del sistema:	
Capacidad de carga de personal:	Una persona con un peso combinado (ropa, herramientas, etc.) no mayor de 136 kg (300 lb) ¹
Capacidad de carga de material	453 kg (1000 lb)
Cable del cabestrante	Cable de acero inoxidable de 3/16 pulgadas Cable de acero galvanizado de 3/16 pulgadas
Especificaciones del componente:	
Referencia en Figura 2	Componente
(A)	Placa base del cabestrante
(B)	Traba del trinquete
(C)	Asa del cabestrante
(D)	Ejes del asa de mando
(E)	Cable del cabestrante
(F)	Pasador de trabado para la base del cabestrante

1 Capacidad: 136 kg (300 lb) es el rango de capacidad requerido por ANSI. Este producto ha sido probado para una capacidad máxima de 191 kg (420 lb), de conformidad con OSHA.

2 Persona calificada: Una persona con un título o certificado profesional reconocido y una amplia experiencia en la protección contra caídas. Esta persona debe ser capaz de realizar el diseño, el análisis, la evaluación y la especificación en protección contra caídas.

1.0 APLICACIÓN DEL PRODUCTO

1.1 PROPÓSITO: Los sistemas para espacio confinado están diseñados para brindar puntos de conexión de anclaje para sistema de detención de caídas¹ o de retención de caídas²: Retención, posicionamiento para el trabajo, desplazamiento vertical de personal, rescate, etc.

Solo protección contra caídas: Este sistema para espacio confinado es para conectar equipos de protección contra caídas. No conecte un equipo de elevación a este sistema para espacio confinado.

- 1.2 NORMAS:** Su sistema para espacio confinado cumple con las normas nacionales o regionales que se identifican en la cubierta frontal de estas instrucciones. Si este producto se revende fuera del país de destino original, el revendedor debe proporcionar estas instrucciones en el idioma del país en el que se usará el producto.
- 1.3 SUPERVISIÓN:** Una persona calificada debe supervisar la instalación de este equipo³. Una persona competente debe supervisar el uso de este equipo⁴.
- 1.4 CAPACITACIÓN:** La instalación y el uso de este equipo deben estar a cargo de personas capacitadas en su correcta aplicación. Este manual debe usarse como parte de los programas de capacitación de empleados exigidos por ANSI. El usuario y quienes instalen este equipo tienen la responsabilidad de familiarizarse con estas instrucciones, capacitarse en el cuidado y uso correctos del equipo, además de informarse sobre las características operativas, los límites de aplicación y las consecuencias del uso incorrecto de este equipo.
- 1.5 PLAN DE RESCATE:** Al utilizar este equipo y al conectarse con los sistemas secundarios, el empleador debe contar con un plan de rescate y tener a mano los medios para implementar y comunicar dicho plan a los usuarios, las personas autorizadas⁵ y los rescatistas⁶. Se sugiere contar con un equipo de rescate capacitado in situ. Los miembros del equipo deben contar con el equipo y las técnicas para realizar un rescate exitoso. Los integrantes del equipo de rescate deben recibir capacitación periódica para garantizar su pericia.
- 1.6 FRECUENCIA DE INSPECCIÓN:** El sistema para espacio confinado será inspeccionado por el usuario antes de cada uso y, además, por una persona competente que no sea el usuario a intervalos de no más de un año.⁷ Los procedimientos de inspección se describen en el "Registro de inspección y mantenimiento". Los resultados de la inspección por parte de cada persona competente deben registrarse en copias del "Registro de inspección y mantenimiento".
- 1.7 LUEGO DE UNA CAÍDA:** Si el sistema para espacio confinado ha sido sometido a la fuerza proveniente de la detención de una caída, debe ser retirado de servicio de inmediato y destruido.

2.0 REQUISITOS DEL SISTEMA

- 2.1 ANCLAJE:** Los requisitos de anclaje varían según la aplicación de protección contra caídas. La estructura sobre la que se coloca o se instala el sistema para espacio confinado debe cumplir con las especificaciones de anclaje que se definen en la Tabla 1.
- 2.2 SISTEMA PERSONAL DE DETENCIÓN DE CAÍDAS:** La figura 1 muestra la aplicación de este sistema para espacio confinado. Los Sistemas personales de detención de caídas (PFAS) utilizados con el sistema deben cumplir con las normas, códigos y requisitos correspondientes para protección contra caídas. El Sistema personal de detención de caídas (Personal Fall Arrest System, PFAS) debe incorporar un arnés de cuerpo entero, tener una caída libre máxima permitida de 1,8 m (6 ft) y limitar la fuerza de detención a los siguientes valores:

PFAS con eslingas amortiguadoras de impacto	4 kN (900 libras)
PFAS con dispositivos autorretráctiles	4 kN (900 libras)

- 2.3 TRAYECTORIA DE CAÍDA Y VELOCIDAD DE BLOQUEO DEL DISPOSITIVO AUTORRETRÁCTIL (SELF RETRACTING DEVICE, SRD):** Se requiere una trayectoria despejada para asegurar que el SRD se bloquee. Se deben evitar situaciones donde la trayectoria de una posible caída presente obstrucciones. Trabajar en espacios muy confinados o restringidos podría no permitir que el cuerpo desarrolle una velocidad suficiente para que el SRD se bloquee si se produce una caída. Trabajar sobre materiales que se mueven lentamente, como por ejemplo, arena o granos, podría no permitir que se acumule una velocidad suficiente para que se bloquee el SRD.
- 2.4 PELIGROS:** El uso de este equipo en áreas en las que existen riesgos ambientales puede requerir precauciones adicionales para evitar lesiones al usuario o daños al equipo. Los riesgos incluyen, entre otros: calor extremo, sustancias químicas, ambientes corrosivos, líneas de alta tensión, gases explosivos o tóxicos, maquinaria en movimiento, bordes afilados o materiales ubicados sobre el nivel de la cabeza que podrían caer y entrar en contacto con el usuario o el sistema personal de detención de caídas.
- 2.5 ESPACIO LIBRE DE CAÍDA:** La figura 3 muestra los componentes de una detención de caídas. Debe haber suficiente separación de caída (Fall Clearance, FC) para poder detener una caída y evitar que el usuario se golpee contra un objeto o contra el piso. La separación se ve afectada por una serie de factores, incluidos los siguientes: (A) ubicación del anclaje, (B) longitud de la eslinga, (C) distancia de desaceleración de la eslinga o distancia de detención máxima del SRD, (D) elongación del arnés y longitud del anillo en D/conector y estabilización (generalmente un factor de seguridad de 1 m). Consulte las instrucciones incluidas con su sistema secundario de detención de caídas para obtener información específica respecto al cálculo de separación de caída.

1 Sistema de detención de caídas: Una colección de equipos de protección contra caídas configurados para detener una caída libre.

2 Sistema de retención de caídas: Una colección de equipos de protección contra caídas configurados para evitar que el centro de gravedad de una persona llegue a un riesgo de caída.

3 Persona calificada: Una persona con un título reconocido o certificado profesional y amplia experiencia en la protección contra caídas. Esta persona debe ser capaz de realizar el diseño, análisis, evaluación y especificación en protección contra caídas.

4 Persona competente: Persona capaz de identificar los riesgos existentes y predecibles en los alrededores, o las condiciones de trabajo que son antihigiénicas, riesgosas o peligrosas para los empleados y que, además, está autorizada para tomar medidas correctivas inmediatas para eliminarlos.

5 Persona autorizada: Según las normas Z359, persona designada por el empleador para que realice tareas en una ubicación en la que la persona estará expuesta a un riesgo de caídas.

6 Rescatista: Persona o personas que no son el sujeto a rescatar y que actúan para realizar un rescate asistido mediante la implementación de un sistema de rescate.

7 Frecuencia de inspección: Las condiciones de trabajo extremas (ambientes rigurosos, uso prolongado, etc.) pueden requerir una mayor frecuencia en las inspecciones realizadas por una persona competente.

2.6 CAÍDAS EN MOVIMIENTO PENDULAR: Las caídas por balanceo ocurren cuando el punto de anclaje no está directamente por encima del punto donde ocurre la caída (consulte la Figura 4). La fuerza del golpe contra un objeto en una caída por balanceo puede causar lesiones graves e, incluso, fatales. Trabaje en un lugar situado lo más directamente posible por debajo del punto de anclaje para minimizar la posibilidad de caídas por balanceo. No permita que ocurra una caída por balanceo si pudiera causar lesiones. Las caídas por balanceo incrementarán considerablemente el espacio libre necesario cuando se utiliza un dispositivo autorretráctil u otro sistema secundario de conexión con longitud variable.

2.7 COMPATIBILIDAD DE LOS COMPONENTES: El equipo 3M está diseñado para usarse exclusivamente con los componentes y sistemas secundarios 3M aprobados. Las sustituciones o reemplazos por componentes y sistemas secundarios no aprobados pueden comprometer la compatibilidad del equipo y, por lo tanto, afectar la seguridad y confiabilidad de todo el sistema.

2.8 COMPATIBILIDAD DE LOS CONECTORES: Los conectores se consideran compatibles con los elementos de conexión cuando fueron diseñados para funcionar juntos de manera tal que, independientemente de cómo queden orientados, sus formas y tamaños no provoquen la apertura accidental de los mecanismos de cierre. Comuníquese con 3M ante cualquier duda sobre compatibilidad.

Los conectores (ganchos, mosquetones y anillos en D) deben ser capaces de soportar al menos 22 kN (5.000 libras). Los conectores deben ser compatibles con el anclaje u otros componentes del sistema. No use un equipo que no sea compatible. Los conectores no compatibles pueden desconectarse accidentalmente (vea la figura 5). Los conectores deben ser compatibles en cuanto a tamaño, forma y resistencia. Si el elemento de conexión al que se fija un gancho de seguridad o mosquetón es más pequeño que lo debido o es de forma irregular, podría surgir una situación en la que el elemento de conexión aplicara una fuerza a la compuerta del gancho de seguridad o mosquetón (A). Esta fuerza puede hacer que se abra la compuerta (B) permitiendo que el gancho de seguridad o mosquetón se desconecte del punto de conexión (C). Vea la Figura 3.

Los ganchos de seguridad y mosquetones con cierre automático son reglamentarios según las normas ANSI Z359 y OSHA.

2.9 CÓMO HACER LAS CONEXIONES: Los ganchos de seguridad y mosquetones que se utilicen con este equipo deben tener cierre automático. Asegúrese de que todas las conexiones sean compatibles en cuanto a tamaño, forma y resistencia. No use un equipo que no sea compatible. Asegúrese de que todos los conectores estén completamente cerrados y trabados.

Los conectores 3M (ganchos de seguridad y carabineros) están diseñados para el uso exclusivo que se especifica en las instrucciones de uso de cada producto. Vea ejemplos de conexiones incorrectas en la figura 6. Los ganchos de seguridad y mosquetones no deben conectarse:

- A. A un anillo en D al que se ha fijado otro conector.
- B. De manera tal que se produzca una carga sobre la compuerta. Los ganchos de seguridad de gargantas grandes no deben conectarse a anillos en D de tamaño estándar ni a objetos similares que puedan imponer una carga sobre la compuerta en caso de que el gancho o el anillo en D gire o se tuerza, a menos que el gancho de seguridad cumpla con la norma y esté equipado con una compuerta de 16 kN (3.600 libras). Examine la marca en el gancho de seguridad para verificar que sea apropiado para su aplicación.
- C. En un enganche falso, donde los elementos que sobresalen del gancho de seguridad o mosquetón se sujetan del ancla y, a primera vista, parecería que estuvieran completamente enganchados al punto de anclaje.
- D. Entre sí.
- E. Directamente a una eslinga de cuerda o cincha, o eslinga para autoamarre (a menos que en las instrucciones del fabricante de la eslinga y del conector se permita expresamente esa conexión).
- F. A ningún objeto cuya forma o dimensión hagan que el gancho de seguridad o los mosquetones queden sin cerrar o trabar, o que puedan deslizarse.
- G. De modo que impida que el conector se alinee correctamente en condiciones de carga.

3.0 INSTALACIÓN

La instalación del cabrestante Protecta debe estar supervisada por una persona calificada¹. La instalación debe ser certificada por una persona competente² en cumplimiento de los criterios de los anclajes certificados o con capacidad para sostener las fuerzas potenciales que podrían producirse durante las caídas.

3.1 PLANIFICACIÓN: Planifique su sistema de protección contra caídas antes de la instalación del cabrestante Protecta. Tenga en cuenta todos los factores que pueden afectar su seguridad antes, durante y después de una caída. Considere todos los requisitos, las limitaciones y las especificaciones que se definen en la Sección 2 y en la Tabla 1.

3.2 CÓMO INSTALAR EL CABRESTANTE PROTECTA: Consulte la figura 7.

1. Consulte la Figura 7.1. Retire el cabestrante de freno del contenedor de transporte. La placa base del cabestrante (A) viene preinstalada en el cabestrante y está lista para usarse (en un trípode).
2. Consulte la Figura 7.2. Coloque la placa base del cabestrante en una de las tres patas del trípode (B). Coloque el pasador de trabado para la base del cabestrante (C) que está conectado a la placa base a través de la placa base y el orificio medio de la pata tubular más larga. Trabe el pasador. Esto mantendrá la placa base en posición para el próximo paso de la instalación.
3. Consulte la Figura 7.3. Retire el pasador que se colocó originalmente en el orificio superior de la pata (D) y colóquelo a través de la placa base y el orificio superior. Trabe el pasador en su lugar. Ahora, el cabestrante está asegurado al trípode.
4. Compruebe para verificar que todos los pasadores estén en sus orificios apropiados y trabados de forma segura en su lugar.

Mantenga al menos 4 envolturas de línea del cabrestante enrollada alrededor del tambor del cabrestante en todo momento. Con menos de 4 envolturas de línea alrededor del tambor, la línea del cabrestante podría aflojarse y perder la carga. La línea del cabrestante está marcada con un indicador rojo para advertir al usuario que no retire más línea del cabrestante del tambor.

4.0 USO

4.1 ANTES DE CADA USO: Verifique que su área de trabajo y el Sistema personal de detención de caídas (PFAS) cumplan con todos los criterios que se definen en la Sección 2 y que exista un plan de rescate formal. Inspeccione el cabrestante Protecta según los puntos de inspección del "Usuario" que se definen en el "Registro de inspección y mantenimiento" (Tabla 2). No utilice el sistema si la inspección revela una condición no segura o defectuosa. Retire el sistema de servicio y destrúyalo, o comuníquese con 3M en relación con el reemplazo o la reparación.

Paso 1: Conecte el asa del cabrestante aflojando el tornillo de mariposa y alineando la muesca del asa con el punto de la tuerca hexagonal en el eje del asa de mando. Deslice el asa y el eje de mando sobre la manivela hexagonal de mando hasta que la ranura de la manivela hexagonal de mando esté alineada con la parte plana del asa. Deslice el asa hacia afuera lejos del eje de mando y ajuste el tornillo de mariposa.

Paso 2: Asegúrese de que los engranajes del cabrestante estén lubricados antes de utilizarlos.

Paso 3: Mantenga las manos alejadas del tambor, los engranajes, el cable y otras partes móviles del cabestrante durante su funcionamiento.

Paso 4. La traba del trinquete se debe desenganchar para bajar una carga con el cabestrante.

Paso 5: Asegúrese de que el cable del cabrestante esté ajustado al elevarse o descender y que el cable esté enrollado de manera uniforme alrededor del tambor del cabrestante.

No retire más la línea del cabrestante del tambor cuando la envoltura roja del cable quede visible.

No levante ni suspenda la carga sobre una persona.

No envuelva el anticaídas de cable alrededor de una carga. Use ganchos de seguridad solo para la conexión.

No exceda el nivel de carga del cabestrante.

5.0 INSPECCIÓN

5.1 FRECUENCIA DE INSPECCIÓN: El cabrestante Protecta debe inspeccionarse según los intervalos que se definen en la Sección 1. Los procedimientos de inspección se describen en el "Registro de inspección y mantenimiento" (Tabla 2). Inspeccione el resto de los componentes del sistema de protección contra caídas según las frecuencias y los procedimientos que se definen en las instrucciones del fabricante.

5.2 DEFECTOS: Si la inspección revela una condición insegura o defectuosa, retire inmediatamente de servicio el cabrestante Protecta y comuníquese con 3M en relación con su reemplazo o reparación. No intente reparar el sistema de detención de caídas.

Solo reparaciones autorizadas: Solo 3M o las entidades autorizadas por escrito pueden hacer reparaciones a este equipo.

5.3 VIDA ÚTIL DEL PRODUCTO: La vida útil del sistema de detención de caídas está determinada por las condiciones de trabajo y el mantenimiento. Siempre y cuando el producto supere los criterios de inspección, podrá permanecer en servicio.

6.0 MANTENIMIENTO, REPARACIÓN, ALMACENAMIENTO

6.1 LIMPIEZA: Limpie en forma periódica los componentes metálicos del cabrestante con una brocha suave, agua tibia y una solución jabonosa suave. Asegúrese de enjuagar bien las partes con agua limpia.

6.2 LUBRICACIÓN: Cada 6 meses como mínimo, lubrique el cabrestante Protecta de manera adecuada para protegerlo del uso y óxido. Aplique aceite sin detergente SAE 30 en las manivelas en todos los puntos de fricción. Lubrique los engranajes del cabrestante con lubricante para engranaje.

6.3 REPARACIÓN: Solo 3M o las entidades autorizadas por escrito por 3M pueden hacer reparaciones a este equipo. Si el cabrestante Protecta ha sido sometido a una fuerza de caída o si la inspección indica que existen condiciones inseguras o defectuosas, retire el sistema del servicio y comuníquese con 3M en relación con su reemplazo o reparación.

6.4 ALMACENAMIENTO Y TRANSPORTE: Cuando no lo utilice, transporte y almacene el cabrestante Protecta y todo el equipo de protección contra caídas asociado en un lugar fresco, seco y limpio, donde no quede expuesto a la luz solar directa. Evite los lugares donde pueda haber vapores de sustancias químicas. Inspeccione minuciosamente los componentes después de que haya estado almacenado por mucho tiempo.

7.0 ETIQUETAS

La Figura 8 muestra las etiquetas del cabrestante Protecta. Las etiquetas deben reemplazarse si no son completamente legibles. La información proporcionada en cada etiqueta es la siguiente:


A	 Lea todas las instrucciones. 1) Número del modelo 2) Año y mes de fabricación/Identificación o número de lote 3) Longitud
---	--

Tabla 2: Registro de inspección y mantenimiento

Fecha de inspección:		Inspección realizada por:	
Componentes:	Inspección: <i>(Vea la Frecuencia de inspección en la Sección 1)</i>	Usuario	Persona competente ¹
Cabrestante Protecta (Figura 2)	Inspeccione el cabrestante Protecta para detectar si hay daños: Inspeccione todos los tornillos, pernos y tuercas. Verifique que estén firmemente ajustados. Revise si falta algún perno, tuerca u otro elemento, o si se los ha reemplazado o modificado de alguna manera. Inspeccione cubiertas y carcasas. Asegúrese de que estén libres de rajaduras, abolladuras, corrosión u otro tipo de daño.	<input type="checkbox"/>	<input type="checkbox"/>
	Inspeccione cada componente del sistema (estructura de soporte, sistema de detención de caídas de reserva, sujeción del cuerpo, conectores, etc.) de acuerdo con las instrucciones del fabricante.	<input type="checkbox"/>	<input type="checkbox"/>
	Revise todo el ensamble del cable. Cuando inspeccione el cable, siempre utilice guantes de protección.	<input type="checkbox"/>	<input type="checkbox"/>
Etiquetas (Figura 8)	Verifique que todas las etiquetas estén colocadas de forma segura y sean legibles (consulte la sección "Etiquetas").	<input type="checkbox"/>	<input type="checkbox"/>
PFAS y otros equipos	El equipo adicional del sistema personal de detención de caídas (PFAS) (arnés, anticaídas autorretráctil [SRL], etc.) que se utiliza con el cabrestante debe instalarse e inspeccionarse según las instrucciones del fabricante.	<input type="checkbox"/>	<input type="checkbox"/>
Número(s) de serie:		Fecha de compra:	
Número de modelo:		Fecha de primer uso:	
Medida correctiva/mantenimiento:		Aprobado por:	
		Fecha:	
Medida correctiva/mantenimiento:		Aprobado por:	
		Fecha:	
Medida correctiva/mantenimiento:		Aprobado por:	
		Fecha:	
Medida correctiva/mantenimiento:		Aprobado por:	
		Fecha:	
Medida correctiva/mantenimiento:		Aprobado por:	
		Fecha:	
Medida correctiva/mantenimiento:		Aprobado por:	
		Fecha:	
Medida correctiva/mantenimiento:		Aprobado por:	
		Fecha:	
Medida correctiva/mantenimiento:		Aprobado por:	
		Fecha:	
Medida correctiva/mantenimiento:		Aprobado por:	
		Fecha:	
Medida correctiva/mantenimiento:		Aprobado por:	
		Fecha:	
Medida correctiva/mantenimiento:		Aprobado por:	
		Fecha:	

¹ **Persona competente:** Persona capaz de identificar los riesgos existentes y predecibles en los alrededores, o las condiciones de trabajo que son antihigiénicas, riesgosas o peligrosas para los empleados y que, además, está autorizada para tomar medidas correctivas inmediatas para eliminar estos riesgos.

**GARANTÍA GLOBAL DEL PRODUCTO, REPARACIONES LIMITADAS
Y LIMITACIÓN DE RESPONSABILIDAD**

GARANTÍA: EL SIGUIENTE TEXTO SIRVE A MODO DE GARANTÍA O CONDICIÓN, EXPLÍCITA O IMPLÍCITA, E INCLUYE LAS GARANTÍAS O CONDICIONES IMPLÍCITAS DE COMERCIABILIDAD O APTITUD PARA UN PROPÓSITO ESPECÍFICO.

A menos que las leyes locales indiquen lo contrario, los productos de protección contra caídas 3M tienen garantía por defectos de fábrica en la mano de obra y en los materiales durante un período de un año desde la fecha de instalación o desde el primer uso del propietario original.

REPARACIONES LIMITADAS: 3M reparará o reemplazará un producto si determina que tiene un defecto de fábrica en la mano de obra o en los materiales y tras haber recibido una notificación por escrito sobre el presunto defecto. 3M se reserva el derecho de exigir la devolución del producto a sus instalaciones para evaluar los reclamos sobre la calidad. Esta garantía no cubre los daños ocasionados por el desgaste, el abuso, el mal mantenimiento, o como consecuencia del traslado del producto, u otros daños ajenos al control de 3M. 3M será el único capaz de determinar la condición del producto y las opciones de la garantía.

Esta garantía solo se aplica al comprador original y es la única garantía válida para los productos de protección contra caídas 3M. Comuníquese con el departamento de servicio al cliente de 3M de su región para obtener ayuda.

LIMITACIÓN DE RESPONSABILIDAD: EN LA MEDIDA PERMITIDA POR LAS LEYES LOCALES, 3M NO SERÁ RESPONSABLE DE LOS DAÑOS INDIRECTOS, IMPREVISTOS, ESPECIALES O CONSECUENTES; ENTRE ELLOS, LA PÉRDIDA DE INGRESOS RELACIONADOS DE CUALQUIER MANERA CON LOS PRODUCTOS, INDEPENDIEMENTE DE LA TEORÍA JURÍDICA QUE SE PUDIERA INVOCAR.

U.S. PRODUCT WARRANTY, LIMITED REMEDY AND LIMITATION OF LIABILITY

WARRANTY: THE FOLLOWING IS MADE IN LIEU OF ALL WARRANTIES OR CONDITIONS, EXPRESS OR IMPLIED, INCLUDING THE IMPLIED WARRANTIES OR CONDITIONS OF MERCHANTABILITY OR FITNESS FOR A PARTICULAR PURPOSE.

Unless otherwise provided by applicable law, 3M fall protection products are warranted against factory defects in workmanship and materials for a period of one year from the date of installation or first use by the original owner.

LIMITED REMEDY: Upon written notice to 3M, 3M will repair or replace any product determined by 3M to have a factory defect in workmanship or materials. 3M reserves the right to require product be returned to its facility for evaluation of warranty claims. This warranty does not cover product damage due to wear, abuse, misuse, damage in transit, failure to maintain the product or other damage beyond 3M's control. 3M will be the sole judge of product condition and warranty options.

This warranty applies only to the original purchaser and is the only warranty applicable to 3M's fall protection products. Please contact 3M's customer service department at 800-328-6146 or via email at 3MFallProtection@mmm.com for assistance.

LIMITATION OF LIABILITY: TO THE EXTENT PERMITTED BY APPLICABLE LAW, 3M IS NOT LIABLE FOR ANY INDIRECT, INCIDENTAL, SPECIAL OR CONSEQUENTIAL DAMAGES INCLUDING, BUT NOT LIMITED TO LOSS OF PROFITS, IN ANY WAY RELATED TO THE PRODUCTS REGARDLESS OF THE LEGAL THEORY ASSERTED.



Fall Protection

USA

3833 SALA Way
Red Wing, MN 55066-5005
Toll Free: 800.328.6146
Phone: 651.388.8282
Fax: 651.388.5065
3Mfallprotection@mmm.com

Brazil

Rua Anne Frank, 2621
Boqueirão Curitiba PR
81650-020
Brazil
Phone: 0800-942-2300
falecoma3m@mmm.com

Mexico

Calle Norte 35, 895-E
Col. Industrial Vallejo
C.P. 02300 Azcapotzalco
Mexico D.F.
Phone: (55) 57194820
3msaludocupacional@mmm.com

Colombia

Compañía Latinoamericana de Seguridad S.A.S.
Carrera 106 #15-25 Interior 105 Manzana 15
Zona Franca - Bogotá, Colombia
Phone: 57 1 6014777
fallprotection-co@mmm.com

Canada

260 Export Boulevard
Mississauga, ON L5S 1Y9
Phone: 905.795.9333
Toll-Free: 800.387.7484
Fax: 888.387.7484
3Mfallprotection-ca@mmm.com

EMEA (Europe, Middle East, Africa)

EMEA Headquarters:
Le Broc Center
Z.I. 1re Avenue - BP15
06511 Carros Le Broc Cedex
France
Phone: + 33 04 97 10 00 10
Fax: + 33 04 93 08 79 70
informationfallprotection@mmm.com

Australia & New Zealand

137 McCredie Road
Guildford
Sydney NSW 2161
Australia
Phone: +(61) 2 8753 7600
Toll-Free : 1800 245 002 (AUS)
Toll-Free : 0800 212 505 (NZ)
Fax: +(61) 2 8753 7603
anzfallprotectionsales@mmm.com

Asia

Singapore:
1 Yishun Avenue 7
Singapore 768923
Phone: +65-6450 8888
Fax: +65-6552 2113
TotalFallProtection@mmm.com

China:

38/F, Maxdo Center, 8 Xing Yi Rd
Shanghai 200336, P R China
Phone: +86 21 62753535
Fax: +86 21 52906521
3MFallProtection-CN@mmm.com

Korea:

3M Korea Ltd
20F, 82, Uisadang-daero,
Yeongdeungpo-gu, Seoul
Phone: +82-80-033-4114
Fax: +82-2-3771-4271
TotalFallProtection@mmm.com

Japan:

3M Japan Ltd
6-7-29, Kitashinagawa, Shinagawa-ku, Tokyo
Phone: +81-570-011-321
Fax: +81-3-6409-5818
psd.jp@mmm.com

WEBSITE:
3M.com/FallProtection



EU DECLARATION OF CONFORMITY:
3M.com/FallProtection/DOC