

## Type 8071

Flowmeter with oval rotors  
Durchfluss-Messgerät mit Ovälradern  
Débitmètre à roues ovales



## Operating Instructions

Bedienungsanleitung  
Manuel d'utilisation

We reserve the right to make technical changes without notice.  
Technische Änderungen vorbehalten.  
Sous réserve de modifications techniques.

© 2010-2023 Bürkert SAS

Operating Instructions 2305/06 EU-ML\_448739\_ORIGINAL\_FR

1. ABOUT THIS MANUAL .....	4	6.6. Dimensions .....	13
1.1. Symbols used .....	4	6.7. K factors (in pulse/l) .....	13
1.2. Definition of the word "device" .....	4	7. INSTALLATION AND WIRING .....	14
2. INTENDED USE.....	5	7.1. Safety instructions.....	14
3. BASIC SAFETY INFORMATION.....	5	7.2. Installation instructions .....	14
4. GENERAL INFORMATION .....	7	7.3. Wiring .....	15
4.1. Contacts.....	7	8. COMMISIONING .....	16
4.2. Warranty conditions.....	7	8.1. Safety instructions.....	16
4.3. Information on the Internet.....	7	9. MAINTENANCE AND TROUBLESHOOTING.....	17
5. DESCRIPTION.....	7	9.1. Safety instructions.....	17
5.1. Area of application.....	7	9.2. Maintenance of the strainer.....	17
5.2. General description .....	7	9.3. Maintenance of the device.....	17
5.3. Description of the name plate.....	8	9.4. Dismantle the device .....	18
5.4. Available versions .....	9	9.5. Assemble the device .....	18
6. TECHNICAL DATA .....	11	9.6. If a problem occurs.....	20
6.1. Conditions of use .....	11	10. SPARE PARTS AND ACCESSORIES .....	21
6.2. Standard and directives .....	11	11. PACKAGING, TRANSPORT .....	22
6.3. Mechanical data .....	12	12. STORAGE .....	22
6.4. Fluid data .....	12	13. DISPOSAL OF THE DEVICE .....	22
6.5. Electrical data .....	13		

## 1 ABOUT THIS MANUAL

This manual describes the entire life cycle of the device. Please keep this manual in a safe place, accessible to all users and any new owners.

### This manual contains important safety information.

Failure to comply with these instructions can lead to hazardous situations.

- ▶ This manual must be read and understood.

### 1.1 Symbols used



#### DANGER

Warns against an imminent danger.

- ▶ Failure to observe this warning can result in death or in serious injury.



#### WARNING

Warns against a potentially dangerous situation.

- ▶ Failure to observe this warning can result in serious injury or even death.



#### ATTENTION

Warns against a possible risk.

- ▶ Failure to observe this warning can result in substantial or minor injuries.

#### NOTE

Warns against material damage.

- ▶ Failure to observe this warning may result in damage to the device or system.



Indicates additional information, advice or important recommendations.



refers to information contained in this manual or in other documents.

→ Indicates a procedure to be carried out.

### 1.2 Definition of the word "device"

The word "device" used within this manual refers to the flow-meter type 8071.

## 2 INTENDED USE

Use of the device that does not comply with the instructions could present risks to people, nearby installations and the environment.

- ▶ The device is intended to measure the flow rate of fluids, especially of viscous fluids.
- ▶ This device must be protected against electromagnetic interference, ultraviolet rays and, when installed outdoors, the effects of climatic conditions.
- ▶ This device must be used in compliance with the characteristics and commissioning and use conditions specified in the contractual documents and in the user manual.
- ▶ Requirements for the safe and proper operation of the device are proper transport, storage and installation, as well as careful operation and maintenance.
- ▶ Only use the device as intended.

→ Observe any existing restraints when the device is exported.

## 3 BASIC SAFETY INFORMATION

This safety information does not take into account:

- any contingencies or occurrences that may arise during installation, use and maintenance of the devices.
- the local safety regulations that the operator must ensure the staff in charge of installation and maintenance observe.



**Danger due to high pressure in the installation.**

**Danger due to electrical voltage.**

**Danger due to high temperatures of the fluid.**

**Danger due to the nature of the fluid.**



**Various dangerous situations**

To avoid injury take care to:

- ▶ Prevent any unintentional power supply switch-on.
- ▶ Ensure that installation and maintenance work are carried out by qualified, authorised personnel in possession of the appropriate tools.



### Various dangerous situations

To avoid injury take care:

- ▶ to guarantee a set or controlled restarting of the process, after a power supply interruption.
- ▶ to use the device only if in perfect working order and in compliance with the instructions provided in the instruction manual.
- ▶ to observe the general technical rules when installing and using the device.
- ▶ not to use the device in an explosive atmosphere.
- ▶ not to use this device in an environment incompatible with the materials it is made of.
- ▶ not to use fluid that is incompatible with the materials the device is made of.
- ▶ not to use the device for the measurement of gas flow rates.
- ▶ not to subject the device to mechanical loads (e.g. by placing objects on top of it or by using it as a step).
- ▶ not to make any external modifications to the device. not to paint or varnish any part of the device.

### NOTE

**The device may be damaged by the fluid in contact with.**

- ▶ Systematically check the chemical compatibility of the component materials of the device and the fluids likely to come into contact with it (for example: alcohols, strong or concentrated acids, aldehydes, alkaline compounds, esters, aliphatic compounds, ketones, halogenated aromatics or hydrocarbons, oxidants and chlorinated agents).

### NOTE

**Elements / Components sensitive to electrostatic discharges**

This device contains electronic components sensitive to electrostatic discharges. They may be damaged if they are touched by an electrostatically charged person or object. In the worst case scenario, these components are instantly destroyed or go out of order as soon as they are activated.

- ▶ To minimise or even avoid all damage due to an electrostatic discharge, take all the precautions described in the EN 61340-5-1 and 5-2 norms.
- ▶ Also ensure that you do not touch any of the live electrical components.

## 4 GENERAL INFORMATION

### 4.1 Contacts

Bürkert SAS

Rue du Giessen

BP 21

F-67220 TRIEMBACH-AU-VAL

You may also contact your local Bürkert sales office.

The addresses of our international sales offices are available on the internet at: [country.burkert.com](http://country.burkert.com)

### 4.2 Warranty conditions

The condition governing the legal warranty is the conforming use of the device in observance of the operating conditions specified in this manual.

### 4.3 Information on the Internet

You can find the user manuals and technical data sheets regarding the type 8071 at: [country.burkert.com](http://country.burkert.com)

## 5 DESCRIPTION

### 5.1 Area of application

The device is intended to measure, thanks to its oval rotors, the flow rate of viscous fluids. It must be combined with a remote instrument (such as transmitter type 8025 Universal or batch controller type 8025 Batch) which converts the pulse frequency due to oval rotors rotation.

### 5.2 General description

#### 5.2.1 Construction

The device is built of a fitting which includes oval rotors and of a cover including the electronic module with Hall effect sensor and Reed switch.

The oval rotors of the fitting contain magnets.

All the device versions provide an NPN transistor output and a Reed switch output.

The electrical connection is made by a 1 meter 5-wire cable.

## 5.2.2 Measuring principle

When the fluid flows through the pipe, the oval rotors which contain magnets turn (see Fig. 1). The displacement of magnets lead to a variation of magnetic field. The sensor measures the variation of the magnetic field and converts the signal into a frequency. The frequency is available at both the NPN transistor and Reed switch outputs.

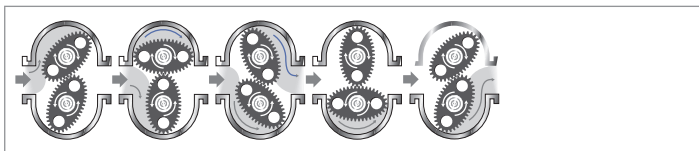


Fig. 1 Running/displacement of oval rotors

The remote instrument converts the frequency into a flow rate by using the correct K factor.

## 5.3 Description of the name plate

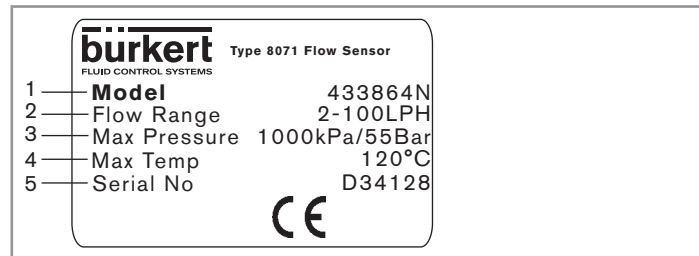


Fig. 2 Name plate of the device

1. Order code of the device
2. Flow rate measuring range
3. Max. pressure
4. Max. temperature
5. Serial number



## 5.4 Available versions

Process connection	Flow rate range		Materials			Max. pressure <sup>1)</sup>	Order code
	Viscosity > 5 mPa.s and < 1000 mPa.s	Viscosity < 5 mPa.s	Housing	Rotors / axis	Seal		
G 1/8"	0.5 ... 100 l/h	2 ... 100 l/h	Aluminium	Stainless steel	FKM	5 bar	565117
			Stainless steel	Stainless steel	FFKM	55 bar	565118
NPT 1/8"	0.5 ... 100 l/h	2 ... 100 l/h	Aluminium	Stainless steel	FKM	5 bar	565119
			Stainless steel	Stainless steel	FFKM	55 bar	565120

Process connection	Flow rate range		Materials			Max. pressure <sup>1)</sup>	Order code
	Viscosity > 5 mPa.s and < 1000 mPa.s	Viscosity < 5 mPa.s	Housing	Rotors / axis	Seal		
G 1/4"	0.5 ... 100 l/h	2 ... 100 l/h	PPS	PPS / Hastalloy C	FFKM	5 bar	432288
			Stainless steel	Stainless steel	FFKM	55 bar	433864
	15 ... 500 l/h	40 ... 500 l/h	PPS	PPS / Hastalloy C	FFKM	5 bar	430856
			Stainless steel	Stainless steel	FFKM	55 bar	437518
NPT 1/4"	0.5 ... 100 l/h	2 ... 100 l/h	PPS	PPS / Hastalloy C	FFKM	5 bar	448654
			Stainless steel	Stainless steel	FFKM	55 bar	448656
	15 ... 500 l/h	40 ... 500 l/h	PPS	PPS / Hastalloy C	FFKM	5 bar	448655
			Stainless steel	Stainless steel	FFKM	55 bar	448657

Process connection	Flow rate range	Materials			Max. pressure <sup>1)</sup>	Order code <sup>2)</sup>
	Viscosity > 1000 mPa.s	Housing	Rotors / axis	Seal		
G 1/4"	15 ... 500 l/h	Stainless steel	Stainless steel	FFKM	55 bar	552426
NPT 1/4"	15 ... 500 l/h	Stainless steel	Stainless steel	FFKM	55 bar	553652

1) High pressure versions available on request

2) Other high viscosity versions available on request

## 6 TECHNICAL DATA

### 6.1 Conditions of use

Ambient temperature	<ul style="list-style-type: none"> <li>Aluminium or PPS housing</li> <li>Stainless steel housing</li> </ul>	<ul style="list-style-type: none"> <li>max. 80 °C</li> <li>max. 120 °C</li> </ul>
Air humidity	< 85%, non condensated	
Protection rating	IP54 (NEMA 13)	

### 6.2 Standard and directives

The device complies with the relevant EU harmonisation legislation. In addition, the device also complies with the requirements of the laws of the United Kingdom.

The harmonised standards that have been applied for the conformity assessment procedure are listed in the current version of the EU Declaration of Conformity/UK Declaration of Conformity.

#### 6.2.1 Conformity to the Pressure Equipment Directive

- Make sure that the device materials are compatible with the fluid.
- Make sure that the pipe DN is adapted for the device.
- Observe the fluid nominal pressure (PN) for the device. The nominal pressure (PN) is given by the device manufacturer.

The device conforms to Article 4, Paragraph 1 of the Pressure Equipment Directive 2014/68/EU under the following conditions:

- Device used on a pipe (PS = maximum admissible pressure, in bar; DN = nominal dimension of the pipe, in mm)

Type of fluid	Conditions
Fluid group 1, Article 4, Paragraph 1.c.i	DN ≤ 25
Fluid group 2, Article 4, Paragraph 1.c.i	DN ≤ 32 or PSxDN ≤ 1000
Fluid group 1, Article 4, Paragraph 1.c.ii	DN ≤ 25 or PSxDN ≤ 2000
Fluid group 2, Article 4, Paragraph 1.c.ii	DN ≤ 200 or PS ≤ 10 or PSxDN ≤ 5000

### 6.3 Mechanical data

Part	Material
Housing	<ul style="list-style-type: none"> <li>Aluminium</li> <li>PPS</li> <li>Stainless steel 316F (1.4401)</li> </ul>
Rotors	<ul style="list-style-type: none"> <li>PPS</li> <li>Stainless steel 316F (1.4401)</li> </ul>
Axis	<ul style="list-style-type: none"> <li>Hastalloy C</li> <li>Stainless steel 316F (1.4401)</li> </ul>
Seal	FKM or FFKM

### 6.4 Fluid data

Process connection	Internal thread G 1/8", G 1/4", NPT 1/8" or NPT 1/4"
Max. fluid pressure	<ul style="list-style-type: none"> <li>PPS or aluminium housing • 5 bar</li> <li>Stainless steel housing • 55 bar (550 bar on request)</li> </ul>
Viscosity	Depends on the version (see chap. 5.4)
Flow rate measuring range	Depends on the version (see chap. 5.4)
Accuracy	≤ ±1% of the measured value
Repeatability	≤ ±0,03% of the measured value
Max. size of particles	75 µm

## 6.5 Electrical data

Supply voltage	4,5 ... 24 V DC
Tansistor output	<ul style="list-style-type: none"> <li>• Frequency on open collector, NPN, max. 25 mA, 4,5 to 24 V DC</li> <li>• 25 mA</li> <li>• 1,8 K<math>\Omega</math> Pull up at 24 V DC</li> </ul>
<ul style="list-style-type: none"> <li>• Type of output</li> <li>• Hall sensor max. intensity</li> <li>• Recommended load</li> </ul>	
Reed switch output	
<ul style="list-style-type: none"> <li>• Type</li> <li>• Max. switching voltage</li> <li>• Max. switching current</li> <li>• Max. operating current</li> <li>• Number of cycles (typical)</li> </ul>	<ul style="list-style-type: none"> <li>• Frequency</li> <li>• 30 V DC</li> <li>• 0,5 A</li> <li>• 0,5 A</li> <li>• 500 x 10<sup>6</sup> cycles (at 10 V DC and 10 mA)</li> </ul>
Electrical connection	5-wire cable, 1 m long

## 6.6 Dimensions

→ Please refer to the technical data sheets regarding the type 8071, available at: [country.burkert.com](http://country.burkert.com)

## 6.7 K factors (in pulse/l)

Flow rate range	K factor (in pulse/l)
0.5 ... 100 l/h	1000
15 ... 500 l/h	400



If the device is combined with an instrument which does not automatically convert the K factors, make the conversion using one of the following formulae:

K factor in pulse/gallon US = K factor in pulse/l x 3,785  
to obtain flow rate in gallon US / time unit

K factor in pulse/gallon UK = K factor in pulse/l x 4,546  
to obtain flow rate in gallon UK / time unit.

## 7 INSTALLATION AND WIRING

### 7.1 Safety instructions



#### **DANGER**

##### **Risk of injury due to high pressure in the installation.**

- ▶ Stop the circulation of fluid, cut off the pressure and drain the pipe before loosening the process connections.

##### **Risk of injury due to electrical voltage.**

- ▶ Shut down and isolate the electrical power source before carrying out work on the system.
- ▶ Observe all applicable accident protection and safety regulations for electrical equipment.

##### **Risk of injury due to the nature of the fluid.**

- ▶ Respect the prevailing regulations on accident prevention and safety relating to the use of aggressive fluids.

##### **Risk of injury due to high fluid temperatures.**

- ▶ Use safety gloves to handle the device.
- ▶ Stop the circulation of fluid and drain the pipe before loosening the process connections.
- ▶ Keep all easily flammable material and fluid away from the device.



#### **WARNING**

##### **Risk of injury due to non-conforming installation.**

- ▶ The electrical and fluid installation can only be carried out by qualified and skilled staff with the appropriate tools.
- ▶ Install the appropriate security devices (correctly dimensioned fuse and/or circuit breaker).

##### **Risk of injury due to unintentional switch on of power supply or uncontrolled restarting of the installation.**

- ▶ Take appropriate measures to avoid unintentional activation of the installation.
- ▶ Guarantee a set or controlled restarting of the process subsequent to the installation of the device.

### 7.2 Installation instructions

#### **NOTE**

##### **Risk of damaging the device if it is subjected to mechanical stress.**

- ▶ Use flexible hoses.

## NOTE

The oval rotors may be damaged if particles with diameter > 75 µm go into the fitting.

- ▶ Install a strainer of 75 µm upstream and as close as possible to the device.

→ Install a by-pass line on your installation to service the device and the strainer without stopping the process (see Fig. 3).

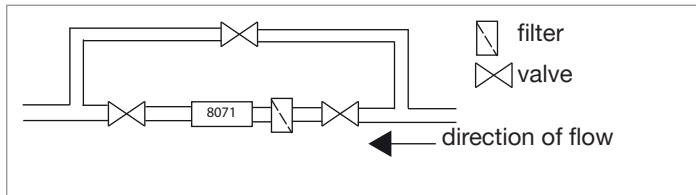


Fig. 3 Installation of a by-pass line

→ Install the device onto the pipe so that the shafts of the rotors are in a horizontal plane.



Seal the external threads of the fitting with a product compatible with the materials from which the device housing and the pipe are made.

→ Screw the device onto the pipe.

## 7.3 Wiring



### DANGER

Risk of injury due to electrical voltage.

- ▶ Shut down and isolate the electrical power source before carrying out work on the system.
- ▶ Observe all applicable accident protection and safety regulations for electrical equipment.



- Use a high quality electrical power supply (filtered and regulated).
- Make sure the installation is equipotential.

Red wire	Power supply (+)
Black wire	Power supply (-)
White wire	NPN transistor output
Yellow wire	Reed switch
Green wire	Reed switch

Table 1: Connection wire assignment

### 7.3.1 Wiring the NPN transistor output and the Reed switch output

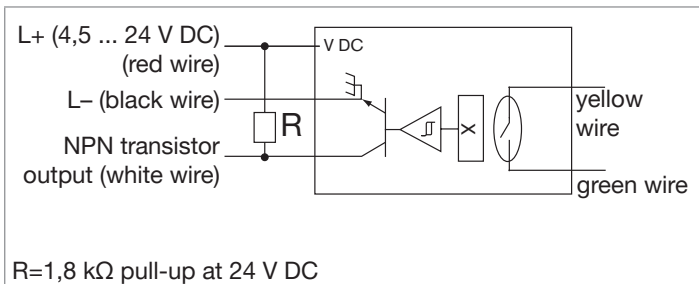


Fig. 4 Wiring of NPN transistor output and the Reed switch output

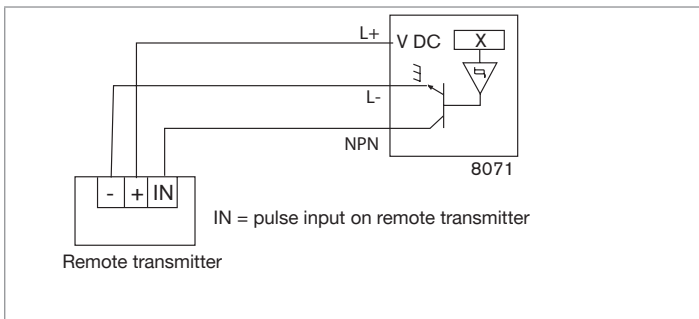


Fig. 5 Example for the connection of the NPN transistor output to a remote transmitter

## 8 COMMISSIONING

### 8.1 Safety instructions



#### WARNING

Risk of injury due to nonconforming commissioning.

Non conforming commissioning may lead to injuries and damage the device and its surroundings.

- ▶ Before commissioning, make sure that the staff in charge have read and fully understood the contents of the manual.
- ▶ In particular, observe the safety recommendations and intended use.
- ▶ The device / the installation must only be commissioned by suitably trained staff.



Protect this device against electromagnetic interference, ultraviolet rays and, when installed outdoors, the effects of the climatic conditions.



The pipe must be full of liquid without air bubbles.

→ Drain air from the pipe by gradually filling the pipe with fluid.

→ Make sure the installation is tight.



## 9 MAINTENANCE AND TROUBLESHOOTING

### 9.1 Safety instructions



#### DANGER

**Risk of injury due to high pressure in the installation.**

- ▶ Stop the circulation of fluid, cut off the pressure and drain the pipe before loosening the process connections.

**Risk of injury due to electrical voltage.**

- ▶ Shut down and isolate the electrical power source before carrying out work on the system.
- ▶ Observe all applicable accident protection and safety regulations for electrical equipment.

**Risk of injury due to the nature of the fluid.**

- ▶ Respect the prevailing regulations on accident prevention and safety relating to the use of aggressive fluids.

**Risk of injury due to high fluid temperatures.**

- ▶ Use safety gloves to handle the device.
- ▶ Stop the circulation of fluid and drain the pipe before loosening the process connections.
- ▶ Keep all easily flammable material and fluid away from the device.



#### WARNING

**Risk of injury due to non-conforming maintenance.**

- ▶ Maintenance must only be carried out by qualified and skilled staff with the appropriate tools.
- ▶ Guarantee a set or controlled restarting of the process, after a power supply interruption.

### 9.2 Maintenance of the strainer

→ After the circulation of 200 liters of fluid, examine the strainer for particles. If necessary clean the strainer with a product compatible with the materials from which it is made.

→ Regularly examine the strainer for good condition, in particular when the flow rate decreases. If necessary clean the strainer with a product compatible with the materials from which it is made.

### 9.3 Maintenance of the device

→ Regularly examine the seal and the oval rotors for good condition. Follow the instructions on chap. [9.4](#) et [9.5](#).

Clean the device with a cloth slightly dampened with water or a cleaning liquid compatible with the materials the device is made of.

Your Bürkert supplier is at your disposal for any further information.

## 9.4 Dismantle the device

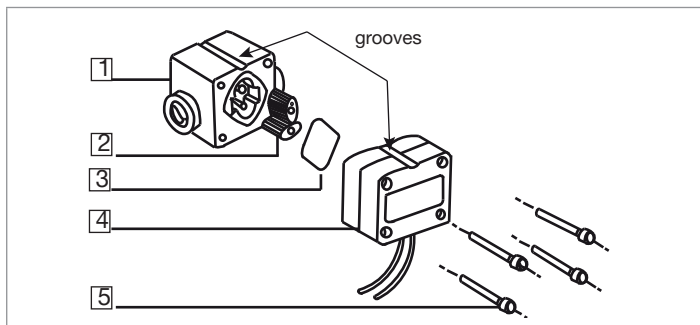


Fig. 6 Exploded view of the device

- Unscrew the 4 screws (mark 5 Fig. 6) and remove the cover including the electronic module (mark 4 Fig. 6).
- Remove the seal (mark 3 Fig. 6).
- Examine the seal for good condition. If not, replace it by a new one (see chap. "10 Spare parts and accessories").
- Remove the rotors (mark 2 Fig. 6).
- Examine the rotors for good condition. If necessary, clean or replace them (see chap. 10).

## 9.5 Assemble the device



Put the magnetized rotor on the same side as the groove (see Fig. 7 and table below).

→ Put the rotors inside the housing, at 90° (see Fig. 7).

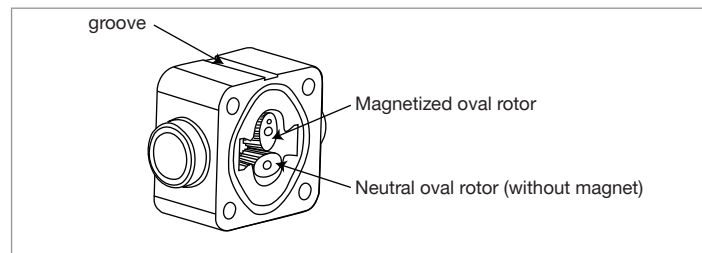


Fig. 7 Position of the oval rotors

Flow rate range	Magnetized oval rotor
0.5 ... 50 l/h	hole of the magnet seat is visible (set towards the cover)
<ul style="list-style-type: none"> <li>• 0.5 ... 50 l/h</li> <li>• 2 ... 100 l/h</li> <li>• 15 ... 500 l/h</li> </ul>	hole of the magnet seat is not visible (set towards the bottom of the housing)

→ Set the radius of curvature present on the periphery of the oval rotors towards the bottom of the rotor housing (see [Fig. 8](#)).

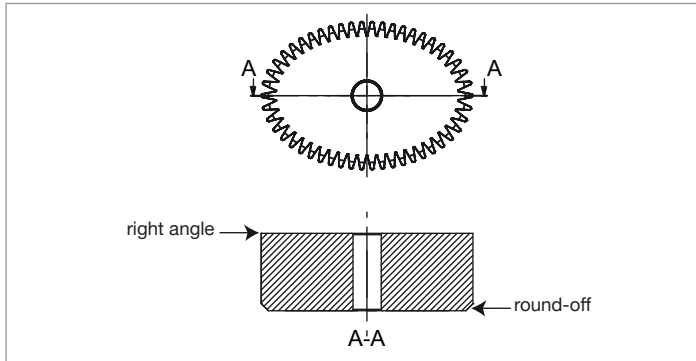


Fig. 8 Cross-section of an oval rotor

→ Make sure that the magnet is in place by using a detector.  
 → Make sure that the rotors freely turn by turning them slowly with the finger.  
 → Put the seal (mark 3 [Fig. 6](#)) in its groove.  
 → Put the cover (mark 4 [Fig. 6](#)) on the housing, aligning the groove on the cover with the one of the housing.

→ Tighten the 4 screws (mark 5 [Fig. 6](#)), carefully to avoid damages to the housing, and in an alternating pattern at the following torque:

- 1 Nm for a PPS housing
- 2 Nm for an aluminium housing
- 9 Nm for a stainless steel housing

## 9.6 If a problem occurs

Problem	Cause	Solution
Fluid does not flow through the device any more	Obturated device	→ Remove and clean the oval rotors (see chap. <a href="#">"9.4 Dismantle the device"</a> and chap. <a href="#">"9.5 Assemble the device"</a> ). → Add a strainer of 75 µm upstream of the device.
	Obturated strainer (if present)	→ Clean the strainer.
	Rotors damaged	→ Replace the rotors (see chap. <a href="#">"10 Spare parts and accessories"</a> , <a href="#">"9.4 Dismantle the device"</a> and <a href="#">"9.5 Assemble the device"</a> ).
Reduced flow rate through the device	Strainer (if present) partially obturated	→ Clean the strainer.
	Fluid too viscous	Use rotors for fluids with a viscosity > 1000 mPa.s.
Incoherent measurement	Flow rate range not adapted	→ Verify specifications, adjust the device or the flow rate (see chap. <a href="#">"6.5 Fluid data [Titel level 2]"</a> ).
	Air within the pipe	→ Slowly drain air from the pipe.
	Friction due to an incorrect assembly of the device	→ Verify the assembly of the rotors in the fitting (see chap. <a href="#">"9.4 Dismantle the device"</a> and chap. <a href="#">"9.5 Assemble the device"</a> ).
No frequency output	Incorrect wiring of the outputs	→ Make sure that the device has been wired correctly (see chap. <a href="#">"7.3 Wiring"</a> ).
	Rotors incorrectly mounted	→ Dismantle the device and modify the position of the rotors (see chap. <a href="#">"9.4 Dismantle the device"</a> and chap. <a href="#">"9.5 Assemble the device"</a> ).
	Magnet damaged	→ Replace the rotors (see chap. <a href="#">"10 Spare parts and accessories"</a> , <a href="#">"9.4 Dismantle the device"</a> and <a href="#">"9.5 Assemble the device"</a> ).
	Hall sensor or Reed switch defective	→ Replace the cover with electronic module (see chap. <a href="#">"10 Spare parts and accessories"</a> , <a href="#">9.4</a> and <a href="#">9.5</a> ).

## 10 SPARE PARTS AND ACCESSORIES



### CAUTION

Risk of injury and damage caused by the use of unsuitable parts.

Incorrect accessories and unsuitable spare parts may cause injuries and damage the device and the surrounding area.

- ▶ Use only original accessories and original spare parts from Bürkert.

Spare part	Order code
Set of 2 oval rotors in stainless steel, flow rate range of 0.5 ... 100 l/h	550919
Set of 2 oval rotors in stainless steel, flow rate range of 15 ... 500 l/h	550920
Set of 2 oval rotors in PPS, flow rate range of 0.5 ... 100 l/h	550921
Set of 2 oval rotors in PPS, flow rate range of 15 ... 500 l/h	550922
FKM seal	550923
FFKM seal	550959
Cover in stainless steel with electronic module including Hall effect sensor and Reed switch	553653

Spare part	Order code
Cover in PPS with electronic module including Hall effect sensor and Reed switch	553654
Cover in aluminium with electronic module including Hall effect sensor and Reed switch	on request

## 11 PACKAGING, TRANSPORT

### NOTE

#### Damage due to transport

Transport may damage an insufficiently protected device.

- ▶ Transport the device in shock-resistant packaging and away from humidity and dirt.
- ▶ Do not expose the device to temperatures that may exceed the admissible storage temperature range.
- ▶ Protect the electrical interfaces using protective plugs.

## 12 STORAGE

### NOTE

Poor storage can damage the device.

- ▶ Store the device in a dry place away from dust.
- ▶ Storage temperature: -10...+60 °C.

## 13 DISPOSAL OF THE DEVICE

→ Dispose of the device and its packaging in an environmentally-friendly way.

### NOTE

Damage to the environment caused by products contaminated by fluids.

- ▶ Keep to the existing provisions on the subject of waste disposal and environmental protection.

### Environmentally friendly disposal



- ▶ Follow national regulations regarding disposal and the environment.
- ▶ Collect electrical and electronic devices separately and dispose of them as special waste.

Further information [country.burkert.com](https://country.burkert.com).

1. DIE BEDIENUNGSANLEITUNG .....	4	6.6. Abmessungen .....	13
1.1. Darstellungsmittel .....	4	6.7. K-Faktoren (in Pulse/Liter) .....	13
1.2. Begriffsdefinition "Gerät" .....	4	7. INSTALLATION UND VERKABELUNG .....	14
2. BESTIMMUNGSGEMÄSSE VERWENDUNG .....	5	7.1. Sicherheitshinweise .....	14
3. GRUNDLEGENDE SICHERHEITSHINWEISE .....	5	7.2. Empfehlungen für die Installation .....	14
4. ALLGEMEINE HINWEISE .....	7	7.3. Verkabelung .....	15
4.1. Kontaktadressen .....	7	8. INBETRIEBNAHME .....	16
4.2. Gewährleistung .....	7	8.1. Sicherheitshinweise .....	16
4.3. Informationen im Internet .....	7	9. WARTUNG, PROBLEMLÖSUNG .....	17
5. BESCHREIBUNG .....	7	9.1. Sicherheitshinweise .....	17
5.1. Vorgesehener Einsatzbereich .....	7	9.2. Wartung des Filters .....	17
5.2. Allgemeine Beschreibung .....	7	9.3. Wartung des Gerätes .....	17
5.3. Beschreibung des Typenschildes .....	8	9.4. Ausbau des Gerätes .....	18
5.4. Verfügbare Versionen .....	9	9.5. Wiederaufbau des Gerätes .....	18
6. TECHNISCHE DATEN .....	11	9.6. Problemlösung .....	20
6.1. Betriebsbedingungen .....	11	10. ERSATZTEILE, ZUBEHÖR .....	21
6.2. Normen und Richtlinien .....	11	11. VERPACKUNG, TRANSPORT .....	22
6.3. Mechanische Daten .....	12	12. LAGERUNG .....	22
6.4. Fluidische Daten .....	12	13. ENTSORGUNG DES GERÄTES .....	22
6.5. Elektrische Daten .....	13		

## 1 DIE BEDIENUNGSANLEITUNG

Die Bedienungsanleitung beschreibt den gesamten Lebenszyklus des Gerätes. Bewahren Sie diese Anleitung so auf, dass sie für jeden Benutzer zugänglich ist und jedem neuen Eigentümer des Gerätes wieder zur Verfügung steht.

**Diese Bedienungsanleitung enthält wichtige Informationen zur Sicherheit!**

Das Nichtbeachten dieser Hinweise kann zu gefährlichen Situationen führen.

- ▶ Diese Bedienungsanleitung muss gelesen und verstanden werden.

### 1.1 Darstellungsmittel



#### **GEFAHR!**

**Warnt vor einer unmittelbaren Gefahr!**

- ▶ Bei Nichteinhaltung sind Tod oder schwere Verletzungen die Folge.



#### **WARNUNG!**

**Warnt vor einer möglicherweise gefährlichen Situation!**

- ▶ Bei Nichteinhaltung drohen schwere Verletzungen oder Tod.



#### **VORSICHT!**

**Warnt vor einer möglichen Gefährdung!**

- ▶ Nichtbeachtung kann mittelschwere oder leichte Verletzungen zur Folge haben.

#### **HINWEIS!**

**Warnt vor Sachschäden!**

- ▶ Bei Nichtbeachtung kann das Gerät oder die Anlage beschädigt werden.



bezeichnet wichtige Zusatzinformationen, Tipps und Empfehlungen.



verweist auf Informationen in dieser Bedienungsanleitung oder in anderen Dokumentationen.

→ markiert einen Arbeitsschritt, den Sie ausführen müssen.

### 1.2 Begriffsdefinition "Gerät"

Der in dieser Anleitung verwendete Begriff "Gerät" steht immer für das Durchfluss-Messgerät Typ 8071.



## 2 BESTIMMUNGSGEMÄSSE VERWENDUNG

Bei nicht bestimmungsgemäßem Einsatz des Gerätes können Gefahren für Personen, Anlagen in der Umgebung und die Umwelt entstehen.

- ▶ Das Gerät ist zur Durchflussmessung von Flüssigkeiten, insbesondere viskosen Flüssigkeiten bestimmt.
- ▶ Schützen Sie das Gerät vor elektromagnetischen Störungen, U.V.-Bestrahlung und bei Außenanwendung vor Witterungseinflüssen.
- ▶ Für den Einsatz sind die in den Vertragsdokumenten und der Bedienungsanleitung spezifizierten zulässigen Daten, Betriebs- und Einsatzbedingungen zu beachten.
- ▶ Zum sicheren und problemlosen Einsatz des Gerätes müssen Transport, Lagerung und Installation ordnungsgemäß erfolgen, außerdem müssen Betrieb und Wartung sorgfältig durchgeführt werden.
- ▶ Achten Sie immer darauf, dieses Gerät auf ordnungsgemäße Weise zu verwenden.

→ Beachten Sie bei der Ausfuhr des Gerätes gegebenenfalls bestehende Beschränkungen.

## 3 GRUNDLEGENDE SICHERHEITSHINWEISE

Diese Sicherheitshinweise berücksichtigen keine

- Zufälligkeiten und Ereignisse, die bei Montage, Betrieb und Wartung der Geräte auftreten können.
- Ortsbezogenen Sicherheitsbestimmungen, für deren Einhaltung, auch in Bezug auf das Installations- und Wartungspersonal, der Betreiber verantwortlich ist.



- Gefahr durch hohen Druck in der Anlage!**
- Gefahr durch elektrische Spannung!**
- Gefahr durch hohe Flüssigkeitstemperaturen!**
- Gefahr aufgrund der Art der Flüssigkeit!**



**Allgemeine Gefahrensituationen.**

Zum Schutz vor Verletzungen ist zu beachten:

- ▶ Die Anlage nicht unbeabsichtigt betätigen.
- ▶ Installations- und Instandhaltungsarbeiten dürfen nur von autorisiertem Fachpersonal mit geeignetem Werkzeug ausgeführt werden.



### Allgemeine Gefahrensituationen.

Zum Schutz vor Verletzungen ist zu beachten:

- ▶ Nach einer Unterbrechung der elektrischen Versorgung ist ein definierter oder kontrollierter Wiederanlauf des Prozesses zu gewährleisten.
- ▶ Betreiben Sie das Gerät nur in einwandfreiem Zustand und unter Beachtung der Bedienungsanleitung.
- ▶ Bei der Einsatzplanung und dem Betrieb des Fittings die allgemeinen Regeln der Technik einhalten.
- ▶ Das Gerät nicht in einer explosionsfähigen Atmosphäre verwenden.
- ▶ Das Gerät nicht in einer Umgebung verwenden, die mit den Materialien, aus denen es besteht, inkompatibel ist.
- ▶ Keine Flüssigkeit verwenden, die sich nicht mit den Werkstoff verträglich, aus denen das Gerät besteht.
- ▶ Das Gerät nicht für die Durchflussmessung von Gas einsetzen.
- ▶ Belasten Sie das Gerät nicht mechanisch (z. B. durch Ablage von Gegenständen oder als Trittstufe).
- ▶ Nehmen Sie keine äußerlichen Veränderungen an den Gehäusen vor. Lackieren Sie keinen Teil des Gerätes.

### HINWEIS!

**Das Gerät kann durch das Medium beschädigt werden.**

- ▶ Kontrollieren Sie systematisch die chemische Verträglichkeit der Werkstoffe, aus denen das Gerät besteht, und der Flüssigkeiten, die mit diesem in Berührung kommen können (zum Beispiel: Alkohole, starke oder konzentrierte Säuren, Aldehyde, Basen, Ester, aliphatische Verbindungen, Ketone, aromatische oder halogenierte Kohlenwasserstoffe, Oxidations- und chlorhaltige Mittel).

### HINWEIS!

**Elektrostatisch gefährdete Bauelemente / Baugruppen!**

Das Gerät enthält elektronische Bauelemente, die gegen elektrostatische Entladung (ESD) empfindlich reagieren. Berührung mit elektrostatisch aufgeladenen Personen oder Gegenständen gefährdet diese Bauelemente. Im schlimmsten Fall werden sie sofort zerstört oder fallen nach der Inbetriebnahme aus.

- ▶ Beachten Sie die Anforderungen nach EN 61340 -5-1 und 5-2, um die Möglichkeit eines Schadens durch schlagartige elektrostatische Entladung zu minimieren bzw. zu vermeiden!
- ▶ Achten Sie ebenso darauf, dass Sie elektronische Bauelemente nicht bei anliegender Versorgungsspannung berühren!

## 4 ALLGEMEINE HINWEISE

### 4.1 Kontaktadressen

Bürkert SAS

Rue du Giessen

BP 21

F-67220 TRIEMBACH-AU-VAL

oder wenden Sie sich an Ihren lokal zuständigen Vertriebsmitarbeiter von Bürkert. Die internationalen Kontaktadressen finden Sie im Internet unter: [country.burkert.com](http://country.burkert.com)

### 4.2 Gewährleistung

Voraussetzung für die Gewährleistung ist der bestimmungsgemäße Gebrauch des Gerätes unter Beachtung der im vorliegenden Handbuch spezifizierten Einsatzbedingungen.

### 4.3 Informationen im Internet

Bedienungsanleitungen und Datenblätter zum Typ 8071 finden Sie im Internet unter: [country.burkert.com](http://country.burkert.com)

## 5 BESCHREIBUNG

### 5.1 Vorgesehener Einsatzbereich

Das Gerät ermöglicht aufgrund seiner Ovalräder die Durchflussmessung viskoser Flüssigkeiten. Es muss in Verbindung mit einem abgesetzten Gerät (z.B. Transmitter 8025 Universal oder Dosiergerät 8025 Batch) zur Erfassung/Konvertierung der durch die Rotation der Ovalräder erzeugten Impulsfrequenz verwendet werden.

### 5.2 Allgemeine Beschreibung

#### 5.2.1 Aufbau

Das Gerät besteht aus einem Fitting mit integrierten Ovalrädern und einem Deckel mit Elektronikmodul, das ein Halleffekt-Sensor und ein Reed-Schalter enthält.

Die Ovalräder des Fittings enthalten Magnete.

Alle Ausführungen des Sensors weisen einen NPN Transistorausgang und einen Reed-Schalter auf.

Der elektrische Anschluss erfolgt über einen 1 m-langen 5-adrigen Kabel.

## 5.2.2 Messprinzip

Die durch die Rohrleitung fließende Flüssigkeit bewirkt das Drehen der Ovalräder, die Magnete enthalten (siehe Bild 1). Die Bewegung der Magnete erzeugt eine Magnetfeldänderung. Der Sensor misst die Magnetfeldänderung und konvertiert dieses Signal in eine Frequenz. Diese Frequenz ist dann an dem NPN-Transistorausgang und dem Reed-Schalter-Ausgang verfügbar.

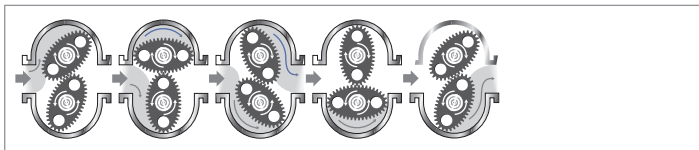


Bild 1 Funktionsweise/Bewegung der Ovalräder

Das abgesetzte Instrument konvertiert die Frequenz mit dem geeigneten K-Faktor in einen Durchflusswert.

## 5.3 Beschreibung des Typenschilds

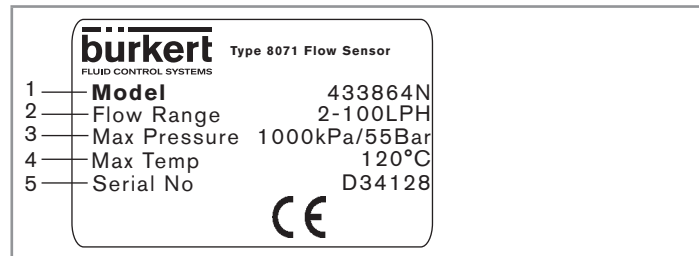


Bild 2 Typenschild des Gerätes

1. Bestell-Nummer des Gerätes
2. Messbereich des Durchflusses
3. Max. Druck
4. Höchsttemperatur
5. Seriennummer

## 5.4 Verfügbare Versionen

Prozess-Anschluss	Durchfluss-Messbereich		Werkstoffe			max. Druck <sup>1)</sup>	Bestellnummer
	Viskosität > 5 mPa.s und < 1000 mPa.s	Viskosität < 5 mPa.s	Gehäuse	Räder / Achse	Dichtung		
G 1/8"	0.5 ... 100 l/h	2 ... 100 l/h	Aluminium	Edelstahl	FKM	5 bar	565117
			Edelstahl	Edelstahl	FFKM	55 bar	565118
NPT 1/8"	0.5 ... 100 l/h	2 ... 100 l/h	Aluminium	Edelstahl	FKM	5 bar	565119
			Edelstahl	Edelstahl	FFKM	55 bar	565120

Prozess-Anschluss	Durchfluss-Messbereich		Werkstoffe			max. Druck <sup>1)</sup>	Bestellnummer
	Viskosität > 5 mPa.s und < 1000 mPa.s	Viskosität < 5 mPa.s	Gehäuse	Räder / Achse	Dichtung		
G 1/4"	0.5 ... 100 l/h	2 ... 100 l/h	PPS	PPS / Hastalloy C	FFKM	5 bar	432288
			Edelstahl	Edelstahl	FFKM	55 bar	433864
	15 ... 500 l/h	40 ... 500 l/h	PPS	PPS / Hastalloy C	FFKM	5 bar	430856
			Edelstahl	Edelstahl	FFKM	55 bar	437518
NPT 1/4"	0.5 ... 100 l/h	2 ... 100 l/h	PPS	PPS / Hastalloy C	FFKM	5 bar	448654
			Edelstahl	Edelstahl	FFKM	55 bar	448656
	15 ... 500 l/h	40 ... 500 l/h	PPS	PPS / Hastalloy C	FFKM	5 bar	448655
			Edelstahl	Edelstahl	FFKM	55 bar	448657

Prozess-Anschluss	Durchfluss-Messbereich	Werkstoffe			max. Druck <sup>1)</sup>	Bestell-Nummer <sup>2)</sup>
	Viskosität > 1000 mPa.s	Gehäuse	Räder / Achse	Dichtung		
G 1/4"	15 ... 500 l/h	Edelstahl	Edelstahl	FFKM	55 bar	552426
NPT 1/4"	15 ... 500 l/h	Edelstahl	Edelstahl	FFKM	55 bar	553652

1) Hochdruckversion auf Anfrage erhältlich

2) Weitere Hochviskosität-Versionen auf Anfrage erhältlich

## 6 TECHNISCHE DATEN

### 6.1 Betriebsbedingungen

Umgebungs-Temperatur	<ul style="list-style-type: none"> <li>• Gehäuse aus Aluminium oder PPS</li> <li>• max. 80 °C</li> <li>• Gehäuse aus Edelstahl</li> <li>• max. 120 °C</li> </ul>
Luftfeuchtigkeit	< 85%, nicht kondensierend
Schutzart	IP54 (NEMA 13)

### 6.2 Normen und Richtlinien

Das Gerät entspricht den einschlägigen Harmonisierungs-vorschriften der EU. Zudem erfüllt das Gerät auch die Anforderungen der Gesetze des Vereinigten Königreichs.

In der jeweils aktuellen Fassung der EU-Konformitätserklärung / UK Declaration of Conformity sind die harmonisierten Normen aufgelistet, welche im Konformitätsbewertungsverfahren angewandt wurden.

#### 6.2.1 Einhaltung der Druckgeräterichtlinie

- Sicherstellen, dass die Werkstoffe des Geräts mit dem Fluid kompatibel sind.
- Sicherstellen, dass die Nennweite der Rohrleitung für das Gerät geeignet ist.
- Den Nenndruck (PN) des Fluids für das Gerät beachten. Der Nenndruck (PN) des Fluids ist vom Gerätehersteller angegeben.

Das Gerät ist unter folgenden Bedingungen mit dem Artikel 4, Absatz 1 der Druckgeräterichtlinie 2014/68/EU konform:

- Gerät für Anwendung in einer Rohrleitung (PS = maximal zulässiger Druck, in bar; DN = Nennweite der Rohrleitung, in mm)

Art des Fluids	Bedingungen
Fluid der Gruppe 1, Artikel 4, Absatz 1.c.i	DN ≤ 25
Fluid der Gruppe 2, Artikel 4, Absatz 1.c.i	DN ≤ 32 oder PSxDN ≤ 1000
Fluid der Gruppe 1, Artikel 4, Absatz 1.c.ii	DN ≤ 25 oder PSxDN ≤ 2000
Fluid der Gruppe 2, Artikel 4, Absatz 1.c.ii	DN ≤ 200 oder PS ≤ 10 oder PSxDN ≤ 5000

### 6.3 Mechanische Daten

Teil	Werkstoff
Gehäuse	<ul style="list-style-type: none"> <li>• Aluminium</li> <li>• PPS</li> <li>• Edelstahl 316F (1.4401)</li> </ul>
Räder	<ul style="list-style-type: none"> <li>• PPS</li> <li>• Edelstahl 316F (1.4401)</li> </ul>
Achse	<ul style="list-style-type: none"> <li>• Hastalloy C</li> <li>• Edelstahl 316F (1.4401)</li> </ul>
Dichtung	FKM oder FFKM

### 6.4 Fluidische Daten

Prozess-Anschluss	Innengewinde, G 1/8", G 1/4", NPT 1/8" oder NPT 1/4"
Max. Flüssigkeitsdruck	<ul style="list-style-type: none"> <li>• 5 bar</li> <li>• 55 bar (550 bar auf Anfrage)</li> </ul>
Viskosität	je nach Ausführung (siehe Kap. 5.4)
Messbereich des Durchflusses	je nach Ausführung (siehe Kap. 5.4)
Genauigkeit	≤ ±1% des Messwertes
Wiederholbarkeit	≤ ±0,03% des Messwertes
Max. Partikel-Größe	75 µm



## 6.5 Elektrische Daten

Betriebsspannung	4,5...24 V DC
Transistor-Ausgang	<ul style="list-style-type: none"> <li>• Ausgangs-Typ</li> <li>• Max. Intensität des Hallsensors</li> <li>• Empfohlene Last</li> </ul>
Reed-Schalter-Ausgang	<ul style="list-style-type: none"> <li>• Typ</li> <li>• Schaltspannung</li> <li>• Schaltstrom</li> <li>• Max. Arbeitsstrom</li> <li>• Anzahl Zyklen (typisch))</li> </ul>
Elektrischer Anschluss	5-adriges Kabel, 1 m lang

## 6.7 K-Faktoren (in Pulse/Liter)

Durchfluss-Messbereich	K-Faktor (in Pulse/Liter)
0.5 ... 100 l/h	1000
15 ... 500 l/h	400



Wenn das Gerät mit einem Instrument verbunden ist, das die K-Faktoren nicht automatisch umrechnet, die Umrechnung mit einer der folgenden Formeln vornehmen:

$\text{K-Faktor in Pulse/US-Gallone} = \text{K-Faktor in Pulse/Liter} \times 3,785$  zur Umrechnung des Durchflusses in US-Gallonen/Zeiteinheit

$\text{K-Faktor in Pulse/UK-Gallone} = \text{K-Faktor in Pulse/Liter} \times 4,546$  zur Umrechnung des Durchflusses in UK-Gallonen/Zeiteinheit

## 6.6 Abmessungen

→ Technische Datenblatt für Typ 8071 beachten, das unter folgender Adresse verfügbar ist: [country.burkert.com](http://country.burkert.com)

## 7 INSTALLATION UND VERKABELUNG

### 7.1 Sicherheitshinweise



#### GEFAHR!

##### Verletzungsgefahr durch hohen Druck in der Anlage!

- ▶ Vor dem Lösen der Prozessanschlüsse die Anlage druckfrei schalten und die Flüssigkeitszirkulation stoppen.

##### Verletzungsgefahr durch Stromschlag!

- ▶ Schalten Sie vor Beginn der Arbeiten in jedem Fall die Spannung ab, und sichern Sie diese vor Wiedereinschalten!
- ▶ Beachten Sie geltende Unfallverhütungs- und Sicherheitsbestimmungen für elektrische Geräte!

##### Verletzungsgefahr aufgrund der Art der Flüssigkeit!

- ▶ Beachten Sie die Regeln, die auf dem Gebiet der Unfallverhütung und der Sicherheit in Kraft sind und die sich auf die Verwendung gefährlicher Produkte beziehen.

##### Verletzungsgefahr durch hohe Flüssigkeitstemperaturen!

- ▶ Das Gerät nur mit Schutzhandschuhen anfassen.
- ▶ Vor dem Lösen der Prozessanschlüsse die Flüssigkeitszirkulation stoppen und die Rohrleitung leeren.
- ▶ Leicht brennbare Materialien und Medien vom Gerät fernhalten.



#### WARNUNG!

##### Verletzungsgefahr bei unsachgemäßer Installation!

- ▶ Fluidische und elektrische Installationen dürfen nur durch autorisiertes Fachpersonal und mit geeignetem Werkzeug durchgeführt werden!
- ▶ Verwenden Sie unbedingt geeignete Sicherheitsvorrichtungen (ordnungsgemäß dimensionierte Sicherungen und/oder Sicherungsautomat).

##### Verletzungsgefahr durch ungewolltes Einschalten der Anlage und unkontrollierten Wiederanlauf!

- ▶ Anlage vor unbeabsichtigtem Betätigen sichern.
- ▶ Nach der Installation einen kontrollierten Wiederanlauf gewährleisten.

### 7.2 Empfehlungen für die Installation

#### HINWEIS!

Gefahr der Beschädigung des Gerätes, wenn dieser mechanisch belastet wird.

- ▶ Schläuche verwenden.

**HINWEIS!**

Gefahr der Beschädigung der Ovalräder, wenn Partikel mit einem Durchmesser > 75 µm in den Sensor gelangen.

- ▶ Einen 75-µm-Filter so dicht wie möglich vor dem Gerät installieren.

→ Um die Wartung des Gerätes und des Filters durchführen zu können, ohne den Prozess zu unterbrechen, einen Bypass in Ihrer Anlage vorsehen (siehe Bild 3).

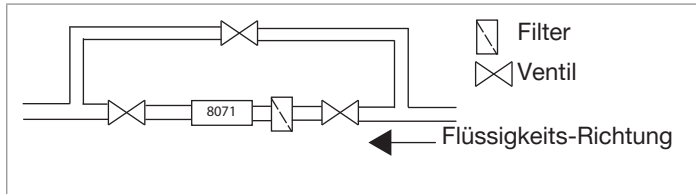


Bild 3 Installation des Bypass

→ Das Gerät so in der Rohrleitung installieren, dass die Achsen der Räder in einer Horizontalebene liegen.



Die Außengewinde mit einem Produkt abdichten, das sich mit den Werkstoffen des Fittings und der Rohrleitung verträgt.

→ Das Gerät an die Rohrleitung schrauben.

### 7.3 Verkabelung



**GEFAHR!**

**Verletzungsgefahr durch Stromschlag!**

- ▶ Schalten Sie vor Beginn der Arbeiten in jedem Fall die Spannung ab, und sichern Sie diese vor Wiedereinschalten!
- ▶ Beachten Sie geltende Unfallverhütungs- und Sicherheitsbestimmungen für elektrische Geräte!



- Eine hochwertige (gefilterte und geregelte) Stromversorgung verwenden.
- Den Potentialausgleich der Installation gewährleisten.

Rote Ader	Stromversorgung (+)
Schwarze Ader	Stromversorgung (-)
Weißer Ader	NPN-Transistorausgang
Gelbe Ader	Reed-Schalter
Grüne Ader	Reed-Schalter

Tabelle 1: Belegung des Anschluss-Kabels

### 7.3.1 Anschluss des NPN-Transistorausgangs und des Reed-Schalterausgangs

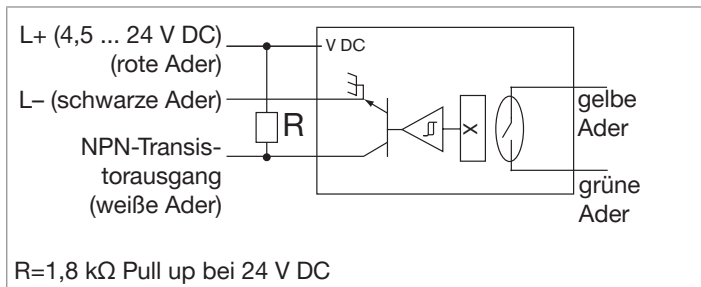


Bild 4 Anschluss des NPN-Transistorausgangs und des Reed-Schalterausgangs

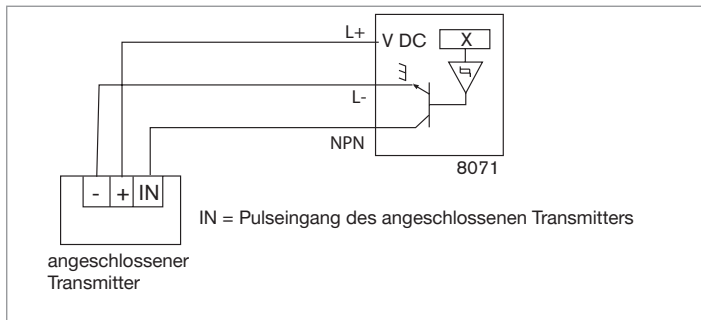


Bild 5 Beispiel für den Anschluss des NPN-Transistorausgangs an ein abgesetzter Transmitter

## 8 INBETRIEBNAHME

### 8.1 Sicherheitshinweise



#### WARNUNG!

#### Verletzungsgefahr bei unsachgemäßer Inbetriebnahme!

Nicht sachgemäße Inbetriebnahme kann zu Verletzungen sowie Schäden am Gerät und seiner Umgebung führen.

- ▶ Vor der Inbetriebnahme muss gewährleistet sein, dass der Inhalt der Bedienungsanleitung dem Bedienungspersonal bekannt ist und vollständig verstanden wurde.
- ▶ Besonders zu beachten sind die Sicherheitshinweise und die bestimmungsgemäße Verwendung.
- ▶ Das Gerät/die Anlage darf nur durch ausreichend geschultes Personal in Betrieb genommen werden.



Schützen Sie das Gerät vor elektromagnetischen Störungen, U.V.-Bestrahlung und bei Außenanwendung vor Witterungseinflüssen.



Die Rohrleitung muss gefüllt und luftblasenfrei sein.

→ Die Luft aus der Rohrleitung entfernen, indem das Rohr nach und nach mit Flüssigkeit gefüllt wird.

→ Die Dichtheit der Anlage kontrollieren.

## 9 WARTUNG, PROBLEMLÖSUNG

### 9.1 Sicherheitshinweise



#### GEFAHR!

##### Verletzungsgefahr durch hohen Druck in der Anlage!

- ▶ Vor dem Lösen der Prozessanschlüsse die Anlage druckfrei schalten und die Flüssigkeitszirkulation stoppen.

##### Verletzungsgefahr durch Stromschlag!

- ▶ Schalten Sie vor Beginn der Arbeiten in jedem Fall die Spannung ab, und sichern Sie diese vor Wiedereinschalten!
- ▶ Beachten Sie geltende Unfallverhütungs- und Sicherheitsbestimmungen für elektrische Geräte!

##### Verletzungsgefahr aufgrund der Art der Flüssigkeit!

- ▶ Beachten Sie die Regeln, die auf dem Gebiet der Unfallverhütung und der Sicherheit in Kraft sind und die sich auf die Verwendung gefährlicher Produkte beziehen.

##### Verletzungsgefahr durch hohe Flüssigkeitstemperaturen!

- ▶ Das Gerät nur mit Schutzhandschuhen anfassen.
- ▶ Vor dem Lösen der Prozessanschlüsse die Flüssigkeitszirkulation stoppen und die Rohrleitung leeren.
- ▶ Leicht brennbare Materialien und Medien vom Gerät fernhalten.



#### WARNUNG!

##### Gefahr durch unsachgemäße Wartungsarbeiten!

- ▶ Wartungsarbeiten dürfen nur durch autorisiertes Fachpersonal und mit geeignetem Werkzeug durchgeführt werden!
- ▶ Nach einer Unterbrechung der elektrischen Versorgung ist ein definierter oder kontrollierter Wiederanlauf des Prozesses zu gewährleisten.

### 9.2 Wartung des Filters

- Nach Durchlauf der ersten 200 Liter Flüssigkeit kontrollieren, ob der Filter Späne oder Ablagerungen enthält. Ihn erforderlichenfalls mit einem Produkt reinigen, das sich mit den Materialien verträgt, aus denen er besteht.
- Den Filterzustand regelmäßig überprüfen, insbesondere wenn der Durchfluss der Flüssigkeit geringer wird. Ihn erforderlichenfalls mit einem Produkt reinigen, das sich mit den Materialien verträgt, aus denen er besteht.

### 9.3 Wartung des Gerätes

- Regelmäßig den Zustand der Dichtung und der Ovalräder des Gerätes überprüfen. Vorgehen wie unter Kap. [9.4](#) und [9.5](#) beschrieben.

Das Gerät nur mit einem Tuch oder Lappen reinigen, der leicht mit Wasser oder mit einem Mittel befeuchtet ist, das sich mit den Werkstoffen des Gerätes verträgt.

Wenn Sie ergänzende Informationen wünschen, steht Ihnen Ihr Lieferant Bürkert voll und ganz zur Verfügung.

## 9.4 Ausbau des Gerätes

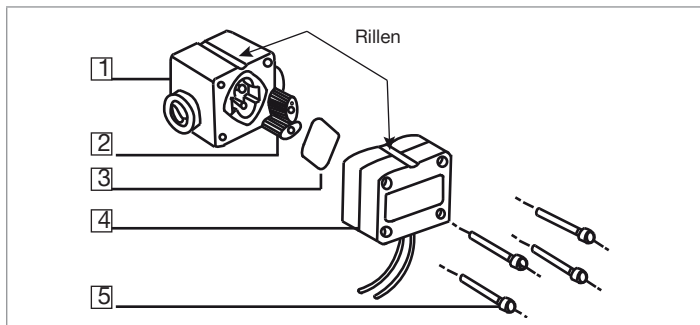


Bild 6 Explosionszeichnung des Gerätes

- Die 4 Schrauben (Marke 5 Bild 6) lösen und den Deckel mit Elektronikmodul (Marke 4 Bild 6) abnehmen.
- Die Dichtung (Marke 3 Bild 6) entfernen.
- Den Zustand der Dichtung überprüfen. Wenn sie beschädigt ist, ersetzen (siehe Kap. "10 Ersatzteile, Zubehör").
- Die Räder herausnehmen (Marke 2 Bild 6).
- Den ordnungsgemäßen Zustand der Räder kontrollieren. Sie reinigen bzw. ersetzen, falls erforderlich (siehe Kap. 10).

## 9.5 Wiederaufbau des Gerätes



Das mit dem Magnet versehene Rad muss wieder auf der Seite mit der Rille eingesetzt werden (siehe Bild 7 und die folgende Tabelle).

- Die um 90° gegeneinander versetzten Räder wieder in das Gehäuse einsetzen (siehe Bild 7).

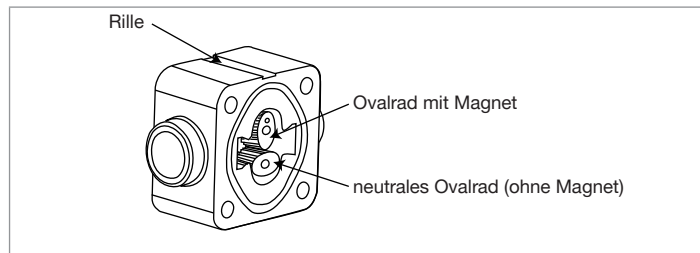


Bild 7 Positionierung der Ovalräder

Durchfluss-Messbereich	Ovalrad mit Magnet
0.5 ... 50 l/h	Die Öffnung der Magnetaufnahme ist sichtbar (zeigt zum Deckel)
<ul style="list-style-type: none"> <li>• 0.5 ... 50 l/h</li> <li>• 2 ... 100 l/h</li> <li>• 15 ... 500 l/h</li> </ul>	Die Öffnung der Magnetaufnahme ist nicht sichtbar (zeigt zum Gehäuseboden)

- Krümmungsradius am Umfang der Ovalräder gegen Gehäuseboden orientieren (siehe Bild 8).

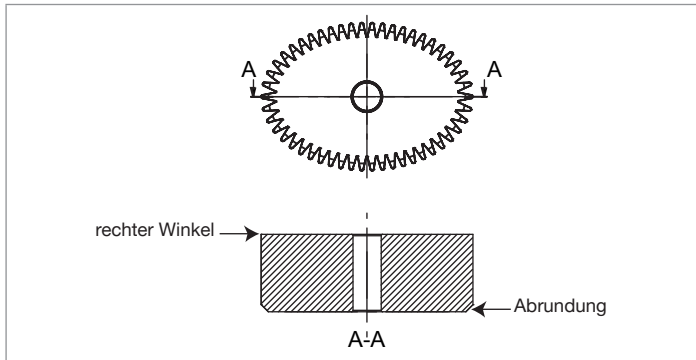


Bild 8 Schnittzeichnung eines Ovalrads

- Das Vorhandensein des Magneten mit einem Detektor überprüfen.
- Überprüfen, ob die Räder sich frei drehen, indem sie vorsichtig mit dem Finger gedreht werden.
- Die Dichtung (Marke 3 Bild 6) wieder einsetzen.
- Den Deckel (Marke 4 Bild 6) wieder aufsetzen, dabei die Rille des Deckels auf diejenige des Gehäuses ausrichten.
- Die 4 Schrauben (Marke 5 Bild 6) vorsichtig, um das Gehäuse nicht zu beschädigen, mit folgendem Anzugsdrehmoment über Kreuz festziehen:
  - 1 Nm bei einem Gehäuse aus PPS
  - 2 Nm bei einem Gehäuse aus Aluminium
  - 9 Nm bei einem Gehäuse aus Edelstahl

## 9.6 Problemlösung

Problem	Ursache	Lösung
Die Flüssigkeit läuft nicht mehr durch das Gerät ab	Gerät verstopft	→ Die Räder demontieren und reinigen (siehe Kap. <a href="#">"9.4 Ausbau des Gerätes"</a> und Kap. <a href="#">"9.5 Wiederaufbau des Gerätes"</a> ). → 75-µm-Filter vor dem Gerät einbauen.
	Filter verstopft (falls vorhanden)	→ Den Filter reinigen.
	Räder beschädigt	→ Die Räder auswechseln (siehe Kap. <a href="#">"10 Ersatzteile, Zubehör"</a> , <a href="#">"9.4 Ausbau des Gerätes"</a> und <a href="#">"9.5 Wiederaufbau des Gerätes"</a> ).
Durchfluss durch das Gerät verringert	Filter (falls vorhanden) teilweise verstopft	→ Den Filter reinigen.
	Flüssigkeit zu viskos	Räder für Viskositäten höher als 1000 mPa.s verwenden.
Widersprüchliche Messwerte	Ungeeignetes Durchfluss-Messbereich	→ Technische Daten überprüfen, Gerät oder Durchfluss anpassen (siehe Kap. <a href="#">"6.4 Fluidische Daten"</a> ).
	Luft in der Rohrleitung	→ Langsam die Luft aus der Rohrleitung ablassen.
	Reibung aufgrund fehlerhafter Wiedermontage des Gerätes	→ Die Montage der Räder im Gerät überprüfen (siehe Kap. <a href="#">"9.4 Ausbau des Gerätes"</a> und Kap. <a href="#">"9.5 Wiederaufbau des Gerätes"</a> ).
Kein Signal am Frequenzgang	Falsche Verkabelung der Ausgänge	→ Die Verkabelung überprüfen (siehe Kap. <a href="#">"7.3 Verkabelung"</a> ).
	Räder falsch herum montiert	→ Das Gerät demontieren und die Position der Räder ändern (siehe Kap. <a href="#">"9.4 Ausbau des Gerätes"</a> und Kap. <a href="#">"9.5 Wiederaufbau des Gerätes"</a> ).
	Magnet defekt	→ Die Räder auswechseln (siehe Kap. <a href="#">"10 Ersatzteile, Zubehör"</a> , <a href="#">"9.4 Ausbau des Gerätes"</a> und <a href="#">"9.5 Wiederaufbau des Gerätes"</a> ).
	Hallsensor oder Reed-Schalter defekt	→ Den Deckel mit Elektronikmodul ersetzen (siehe Kap. <a href="#">"10 Ersatzteile, Zubehör"</a> , <a href="#">9.4</a> und <a href="#">9.5</a> ).



## 10 ERSATZTEILE, ZUBEHÖR



### VORSICHT!

**Verletzungsgefahr, Sachschäden durch ungeeignete Teile!**

Falsches Zubehör und ungeeignete Ersatzteile können Verletzungen und Schäden am Gerät und dessen Umgebung verursachen.

- Verwenden Sie nur Originalzubehör sowie Originalersatzteile der Fa. Bürkert.

Ersatzteil	Bestellnummer
Deckel aus Aluminium mit Elektronikmodul mit Hallsensor und Reed-Schalter	auf Anfrage

Ersatzteil	Bestellnummer
Satz mit 2 Ovalrädern aus Edelstahl, Durchfluss-Messbereich 0.5 ... 100 l/h	550919
Satz mit 2 Ovalrädern aus Edelstahl, Durchfluss-Messbereich 15 ... 500 l/h	550920
Satz mit 2 Ovalrädern aus PPS, Durchfluss-Messbereich 0.5 ... 100 l/h	550921
Satz mit 2 Ovalrädern aus PPS, Durchfluss-Messbereich 15 ... 500 l/h	550922
Dichtung aus FKM	550923
Dichtung aus FFKM	550959
Deckel aus Edelstahl mit Elektronikmodul mit Hallsensor und Reed-Schalter	553653
Deckel aus PPS mit Elektronikmodul mit Hallsensor und Reed-Schalter	553654

## 11 VERPACKUNG, TRANSPORT

### HINWEIS!

#### Transportschäden!

Ein unzureichend geschütztes Gerät kann durch den Transport beschädigt werden.

- ▶ Transportieren Sie das Gerät vor Nässe und Schmutz geschützt in einer stoßfesten Verpackung.
- ▶ Das Gerät keinen Temperaturen außerhalb des zulässigen Temperaturbereichs für die Lagerung aussetzen.
- ▶ Verschließen Sie die elektrischen Schnittstellen mit Schutzkappen vor Beschädigungen.

## 12 LAGERUNG

### HINWEIS!

#### Falsche Lagerung kann Schäden am Gerät verursachen!

- ▶ Lagern Sie das Gerät trocken und staubfrei!
- ▶ Lagerungstemperatur: -10...+60 °C.

## 13 ENTSORGUNG DES GERÄTES

→ Entsorgen Sie das Gerät und die Verpackung umweltgerecht.

### HINWEIS!

#### Umweltschäden durch Teile, die durch Flüssigkeiten kontaminiert wurden!

- ▶ Geltende Entsorgungsvorschriften und Umweltbestimmungen einhalten!

#### Umweltgerechte Entsorgung



- ▶ Nationale Vorschriften bezüglich Entsorgung und Umwelt beachten.
- ▶ Elektrische und elektronische Geräte separat sammeln und speziell entsorgen.

Weitere Informationen unter [country.burkert.com](https://country.burkert.com)

1. À PROPOS DE CE MANUEL.....	4	6.6. Dimensions .....	13
1.1. Symboles utilisés .....	4	6.7. Facteurs K (en imp./l).....	13
1.2. Définition du terme "appareil" .....	4	7. INSTALLATION ET CÂBLAGE ÉLECTRIQUE.....	14
2. UTILISATION CONFORME.....	5	7.1. Consignes de sécurité .....	14
3. CONSIGNES DE SÉCURITÉ DE BASE.....	5	7.2. Recommandations d'installation .....	14
4. INFORMATIONS GÉNÉRALES .....	7	7.3. Câblage .....	15
4.1. Contact.....	7	8. MISE EN SERVICE .....	16
4.2. Conditions de garantie .....	7	8.1. Consignes de sécurité.....	16
4.3. Informations sur internet .....	7	9. MAINTENANCE ET DÉPANNAGE.....	17
5. DESCRIPTION .....	7	9.1. Consignes de sécurité.....	17
5.1. Secteur d'application.....	7	9.2. Entretien du filtre.....	17
5.2. Description générale.....	7	9.3. Entretien de l'appareil.....	17
5.3. Description de l'étiquette d'identification .....	8	9.4. Démontez l'appareil .....	18
5.4. Versions disponibles.....	9	9.5. Remonter l'appareil .....	18
6. CARACTÉRISTIQUES TECHNIQUES .....	11	9.6. En cas de problème.....	20
6.1. Conditions d'utilisation.....	11	10. PIÈCES DE RECHANGE ET ACCESSOIRES.....	21
6.2. Normes et directives .....	11	11. EMBALLAGE ET TRANSPORT .....	22
6.3. Caractéristiques mécaniques .....	12	12. STOCKAGE.....	22
6.4. Caractéristiques fluidiques .....	12	13. ÉLIMINATION DE L'APPAREIL.....	22
6.5. Caractéristiques électriques .....	13		

# 1 À PROPOS DE CE MANUEL

Ce manuel décrit le cycle de vie complet de l'appareil. Conservez-le de sorte qu'il soit accessible à tout utilisateur et à disposition de tout nouveau propriétaire.

**Ce manuel contient des informations importantes relatives à la sécurité.**

Le non-respect de ces consignes peut entraîner des situations dangereuses.

- ▶ Ce manuel doit être lu et compris.

## 1.1 Symboles utilisés



### DANGER

**Met en garde contre un danger imminent.**

- ▶ Son non-respect peut entraîner la mort ou de graves blessures.



### AVERTISSEMENT

**Met en garde contre une situation éventuellement dangereuse.**

- ▶ Son non-respect peut entraîner de graves blessures, voire la mort.



### ATTENTION

**Met en garde contre un risque éventuel.**

- ▶ Son non-respect peut entraîner des blessures légères ou de gravité moyenne.

### REMARQUE

**Met en garde contre des dommages matériels.**

- ▶ Son non-respect peut entraîner des dommages sur l'appareil ou l'installation.



désigne des informations supplémentaires, des conseils ou des recommandations importants.



renvoie à des informations contenues dans ce manuel ou dans d'autres documents.

→ indique une opération à effectuer.

## 1.2 Définition du terme "appareil"

Dans ce manuel d'utilisation, le terme "appareil" désigne toujours le débitmètre Type 8071.

## 2 UTILISATION CONFORME

**L'utilisation non conforme de l'appareil peut présenter des dangers pour les personnes, les installations proches et l'environnement.**

- ▶ L'appareil est destiné à la mesure du débit de liquides, particulièrement de liquides visqueux.
- ▶ Protéger cet appareil contre les perturbations électromagnétiques, les rayons ultraviolets et, lorsqu'il est installé à l'extérieur, des effets des conditions climatiques.
- ▶ Utiliser cet appareil conformément aux caractéristiques et conditions de mise en service et d'utilisation indiquées dans les documents contractuels et dans le manuel utilisateur.
- ▶ L'utilisation en toute sécurité et sans problème de l'appareil repose sur un transport, un stockage et une installation corrects ainsi que sur une utilisation et une maintenance effectuées avec soin.
- ▶ Veiller à toujours utiliser cet appareil de façon conforme.

→ Respecter les restrictions éventuelles lorsque l'appareil est exporté.

## 3 CONSIGNES DE SÉCURITÉ DE BASE

Ces consignes de sécurité ne tiennent pas compte :

- des imprévus pouvant survenir lors de l'assemblage, de l'utilisation et de l'entretien des appareils.
- des prescriptions de sécurité locales que l'exploitant est tenu de faire respecter par le personnel chargé de l'assemblage et de l'entretien.



**Danger dû à la pression élevée dans l'installation.**

**Danger dû à la tension électrique.**

**Danger dû à des températures élevées du fluide.**

**Danger dû à la nature du fluide.**



**Situations dangereuses diverses**

Pour éviter toute blessure, veiller à :

- ▶ empêcher toute mise sous tension involontaire de l'installation.
- ▶ ce que les travaux d'installation et de maintenance soient effectués par du personnel qualifié et habilité, disposant des outils appropriés.



### Situations dangereuses diverses

Pour éviter toute blessure, veiller à :

- ▶ garantir un redémarrage défini et contrôlé du process, après une coupure de l'alimentation électrique.
- ▶ n'utiliser l'appareil qu'en parfait état et en tenant compte des indications du manuel utilisateur.
- ▶ respecter les règles générales de la technique lors de l'implantation et de l'utilisation de l'appareil.
- ▶ ne pas utiliser l'appareil dans une atmosphère explosible.
- ▶ ne pas utiliser l'appareil dans un environnement incompatible avec les matériaux qui le composent.
- ▶ ne pas utiliser de fluide incompatible avec les matériaux composant l'appareil.
- ▶ ne pas utiliser l'appareil pour la mesure de débit de gaz.
- ▶ ne pas soumettre l'appareil à des contraintes mécaniques (par ex. en y déposant des objets ou en l'utilisant comme marchepied).
- ▶ n'apporter aucune modification extérieure au corps. Ne peindre ni laquer aucune partie de l'appareil.

### REMARQUE

**L'appareil peut être endommagé par le fluide en contact.**

- ▶ Vérifier systématiquement la compatibilité chimique des matériaux composant l'appareil et les produits susceptibles d'entrer en contact avec celui-ci (par exemple : alcools, acides forts ou concentrés, aldéhydes, bases, esters, composés aliphatiques, cétones, aromatiques ou hydrocarbures halogénés, oxydants et agents chlorés).

### REMARQUE

**Éléments / Composants sensibles aux décharges électrostatiques**

Cet appareil contient des composants électroniques sensibles aux décharges électrostatiques. Ils peuvent être endommagés lorsqu'ils sont touchés par une personne ou un objet chargé électrostatiquement. Dans le pire des cas, ils sont détruits instantanément ou tombent en panne sitôt effectuée la mise en route.

- ▶ Pour réduire au minimum voire éviter tout dommage dû à une décharge électrostatique, prenez toutes les précautions décrites dans les normes EN 61340-5-1 et 5-2.
- ▶ Veiller également à ne pas toucher les composants électriques sous tension.

## 4 INFORMATIONS GÉNÉRALES

### 4.1 Contact

Bürkert SAS  
Rue du Giessen  
BP 21  
F-67220 TRIEMBACH-AU-VAL

Vous pouvez également contacter votre revendeur Bürkert.

Les adresses des filiales internationales sont disponibles sous :  
[country.burkert.com](http://country.burkert.com)

### 4.2 Conditions de garantie

La condition pour bénéficier de la garantie légale est l'utilisation conforme de l'appareil dans le respect des conditions d'utilisation spécifiées dans le présent manuel utilisateur.

### 4.3 Informations sur internet

Retrouvez sur internet les manuels d'utilisation et les fiches techniques relatifs au Type 8071 sous : [country.burkert.com](http://country.burkert.com)

## 5 DESCRIPTION

### 5.1 Secteur d'application

L'appareil permet de mesurer, grâce à ses roues ovales, le débit de liquides visqueux. Il doit être associé à un instrument déporté (par exemple, transmetteur 8025 Universal ou contrôleur de dosage 8025 Batch) d'acquisition/conversion de la fréquence des impulsions liées à la rotation des roues ovales.

### 5.2 Description générale

#### 5.2.1 Construction

L'appareil est composé d'un raccord à roues ovales et d'un couvercle avec module électronique incluant un capteur à effet Hall et un interrupteur Reed.

Les roues ovales du raccord contiennent des aimants.

Toutes les versions de l'appareil présentent une sortie transistor NPN et une sortie interrupteur Reed.

Le raccordement électrique s'effectue à l'aide d'un câble à 5 fils de 1 m de long.

### 5.2.2 Principe de fonctionnement

Le fluide circulant dans la canalisation fait tourner les roues ovales qui contiennent des aimants (voir Fig. 1). Le déplacement des aimants provoque une variation du champ magnétique. Le capteur mesure la variation du champ magnétique et convertit ce signal en fréquence. Cette fréquence est alors disponible sur la sortie transsistor NPN et la sortie interrupteur Reed.

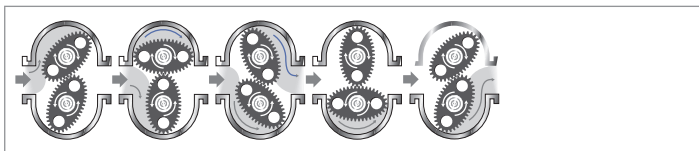


Fig. 1 Fonctionnement/Déplacement des roues ovales

L'instrument déporté d'acquisition/conversion convertit la fréquence en débit en utilisant le facteur K approprié.

### 5.3 Description de l'étiquette d'identification

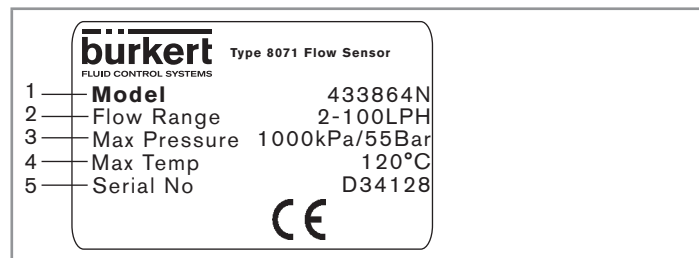


Fig. 2 Étiquette d'identification de l'appareil

1. Référence de commande de l'appareil
2. Plage de mesure du débit
3. Pression max.
4. Température max.
5. Numéro de série



## 5.4 Versions disponibles

Raccordement au process	Plage de débit		Matériaux			Pression max. <sup>1)</sup>	Référence de commande
	viscosité > 5 mPa.s et < 1000 mPa.s	viscosité < 5 mPa.s	boîtier	roues / axe	joint		
G 1/8"	0.5 ... 100 l/h	2 ... 100 l/h	aluminium	acier inoxydable	FKM	5 bar	565117
			acier inoxydable	acier inoxydable	FFKM	55 bar	565118
NPT 1/8"	0.5 ... 100 l/h	2 ... 100 l/h	aluminium	acier inoxydable	FKM	5 bar	565119
			acier inoxydable	acier inoxydable	FFKM	55 bar	565120

Raccordement au process	Plage de débit		Matériaux			Pression max. <sup>1)</sup>	Référence de commande
	viscosité > 5 mPa.s et < 1000 mPa.s	viscosité < 5 mPa.s	boîtier	roues / axe	joint		
G 1/4"	0.5 ... 100 l/h	2 ... 100 l/h	PPS	PPS / Hastalloy C	FFKM	5 bar	432288
			acier inoxydable	acier inoxydable	FFKM	55 bar	433864
	15 ... 500 l/h	40 ... 500 l/h	PPS	PPS / Hastalloy C	FFKM	5 bar	430856
			acier inoxydable	acier inoxydable	FFKM	55 bar	437518
NPT 1/4"	0.5 ... 100 l/h	2 ... 100 l/h	PPS	PPS / Hastalloy C	FFKM	5 bar	448654
			acier inoxydable	acier inoxydable	FFKM	55 bar	448656
	15 ... 500 l/h	40 ... 500 l/h	PPS	PPS / Hastalloy C	FFKM	5 bar	448655
			acier inoxydable	acier inoxydable	FFKM	55 bar	448657

Raccordement au process	Plage de débit	Matériaux			Pression max. <sup>1)</sup>	Référence de commande <sup>2)</sup>
	viscosité > 1000 mPa.s	boîtier	roues / axe	joint		
G 1/4"	15 ... 500 l/h	acier inoxydable	acier inoxydable	FFKM	55 bar	552426
NPT 1/4"	15 ... 500 l/h	acier inoxydable	acier inoxydable	FFKM	55 bar	553652

1) Versions haute pression disponibles sur demande

2) Autres versions pour haute viscosité disponibles sur demande

## 6 CARACTÉRISTIQUES TECHNIQUES

### 6.1 Conditions d'utilisation

Température ambiante	<ul style="list-style-type: none"> <li>• boîtier en aluminium ou en PPS</li> <li>• boîtier en acier inoxydable</li> </ul>	<ul style="list-style-type: none"> <li>• max. 80 °C</li> <li>• max. 120 °C</li> </ul>
Humidité de l'air	< 85%, non condensée	
Indice de protection	IP54 (NEMA 13)	

### 6.2 Normes et directives

L'appareil est conforme aux exigences applicables de la législation d'harmonisation de l'UE. En outre, l'appareil répond également aux exigences de la législation du Royaume-Uni.

La version actuelle de la déclaration de conformité de l'UE / UK Declaration of Conformity comprend les normes harmonisées qui ont été appliquées dans la procédure d'évaluation de la conformité.

#### 6.2.1 Conformité à la directive des équipements sous pression

→ S'assurer que les matériaux de l'appareil sont compatibles avec le fluide.

→ S'assurer que le DN du tuyau est adapté à l'appareil ou au raccord utilisé.

→ Respecter la pression nominale (PN) du fluide pour l'appareil ou le raccord utilisé. La pression nominale (PN) est indiquée par le fabricant de l'appareil ou du raccord.

L'appareil est conforme à l'article 4, paragraphe 1, de la directive des équipements sous pression 2014/68/EU, dans les conditions suivantes :

- Appareil utilisé sur une tuyauterie (PS = pression maximale admissible, en bar ; DN = diamètre nominal du tuyau, en mm)

Type de fluide	Conditions
Fluide du groupe 1, article 4, paragraphe 1.c.i	DN ≤ 25
Fluide du groupe 2, article 4, paragraphe 1.c.i	DN ≤ 32 ou PSxDN ≤ 1000
Fluide du groupe 1, article 4, paragraphe 1.c.ii	DN ≤ 25 ou PSxDN ≤ 2000
Fluide du groupe 2, article 4, paragraphe 1.c.ii	DN ≤ 200 ou PS ≤ 10 ou PSxDN ≤ 5000

### 6.3 Caractéristiques mécaniques

Élément	Matériau
Boîtier	<ul style="list-style-type: none"> <li>Aluminium</li> <li>PPS</li> <li>Acier inoxydable 316F (1.4401)</li> </ul>
Roues	<ul style="list-style-type: none"> <li>PPS</li> <li>Acier inoxydable 316F (1.4401)</li> </ul>
Axe	<ul style="list-style-type: none"> <li>Hastalloy C</li> <li>Acier inoxydable 316F (1.4401)</li> </ul>
Joint	FKM ou FFKM

### 6.4 Caractéristiques fluidiques

Raccordement au process	Taraudage G 1/8", G 1/4", NPT 1/8" ou NPT 1/4"
Pression du fluide max.	<ul style="list-style-type: none"> <li>Boîtier PPS ou aluminium</li> <li>Boîtier acier inoxydable</li> </ul> <ul style="list-style-type: none"> <li>5 bar</li> <li>55 bar (550 bar sur demande)</li> </ul>
Viscosité	dépend de la version (voir chap. 5.4)
Plage de mesure du débit	dépend de la version (voir chap. 5.4)
Précision	$\leq \pm 1\%$ de la valeur mesurée
Répétabilité	$\leq \pm 0,03\%$ de la valeur mesurée
Taille max. des particules	75 $\mu\text{m}$

## 6.5 Caractéristiques électriques

Tension d'alimentation	4,5 ... 24 V DC
Sortie transistor :	
<ul style="list-style-type: none"> <li>Type de sortie</li> <li>Intensité max. du capteur Hall</li> <li>Charge préconisée</li> </ul>	<ul style="list-style-type: none"> <li>Fréquence sur collecteur ouvert, NPN, max. 25 mA, 4,5 à 24 V DC</li> <li>25 mA</li> <li>1,8 K<math>\Omega</math> Pull up à 24 V DC</li> </ul>
Sortie interrupteur Reed :	
<ul style="list-style-type: none"> <li>Type</li> <li>Tension max. commutable</li> <li>Courant max. commutable</li> <li>Courant de travail max.</li> <li>Nombre de cycles (typique)</li> </ul>	<ul style="list-style-type: none"> <li>Fréquence</li> <li>30 V DC</li> <li>0,5 A</li> <li>0,5 A</li> <li>500 x 10<sup>6</sup> cycles (à 10 V DC et 10 mA)</li> </ul>
Raccordement électrique	Câble 5 fils, longueur 1 m

## 6.6 Dimensions

→ Voir la fiche technique de l'appareil, disponible sous :

[country.burkert.com](http://country.burkert.com)

## 6.7 Facteurs K (en imp./l)

Plage de débit	Facteur K (imp./l)
0.5 ... 100 l/h	1000
15 ... 500 l/h	400



Si l'appareil est raccordé à un instrument qui ne convertit pas automatiquement les facteurs K, effectuer la conversion avec l'une des formules ci-dessous :

Facteur K en imp/gallon US = facteur K en imp/l x 3,785  
pour obtenir un débit en gallon US / unité de temps

Facteur K en imp/gallon UK = facteur K en imp/l x 4,546  
pour obtenir un débit en gallon UK / unité de temps

## 7 INSTALLATION ET CÂBLAGE ÉLECTRIQUE

### 7.1 Consignes de sécurité



#### DANGER

**Risque de blessure dû à la pression élevée dans l'installation.**

- ▶ Stopper la circulation du fluide, couper la pression et purger la canalisation avant de desserrer les raccordements au process.

**Risque de blessure par décharge électrique.**

- ▶ Couper et consigner l'alimentation électrique avant d'intervenir sur l'installation.
- ▶ Respecter la réglementation en vigueur en matière de prévention des accidents et de sécurité relative aux appareils électriques.

**Risque de blessure dû à la nature du fluide.**

- ▶ Respecter la réglementation en vigueur en matière de prévention des accidents et de sécurité relative à l'utilisation de fluides agressifs.

**Risque de blessure dû à des températures élevées du fluide**

- ▶ Utiliser des gants de protection pour saisir l'appareil.
- ▶ Stopper la circulation du fluide et purger la canalisation avant de desserrer les raccordements au process.
- ▶ Tenir éloigné de l'appareil tout tissu et tout fluide facilement inflammable.



#### AVERTISSEMENT

**Risque de blessure dû à une installation non conforme.**

- ▶ L'installation électrique et fluïdique ne peut être effectuée que par du personnel habilité et qualifié, disposant des outils appropriés.
- ▶ Utiliser impérativement les dispositifs de sécurité adaptés (fusible correctement dimensionné et/ou coupe-circuit)

**Risque de blessure dû à une mise sous tension involontaire de l'installation et à un redémarrage incontrôlé.**

- ▶ Protéger l'installation contre toute mise sous tension involontaire.
- ▶ Garantir un redémarrage contrôlé de l'installation, après installation de l'appareil.

### 7.2 Recommandations d'installation

#### REMARQUE

**Risque d'endommager l'appareil s'il est soumis à des contraintes mécaniques.**

- ▶ Utiliser des tubes flexibles.

**REMARQUE**

Risque d'endommager les roues ovales si des particules de diamètre > 75 µm entrent dans l'appareil.

- ▶ Installer un filtre de 75 µm en amont et aussi près que possible de l'appareil.

→ Installer un circuit de dérivation sur votre installation pour pouvoir procéder à la maintenance de l'appareil et du filtre sans interrompre le process (voir Fig. 3).

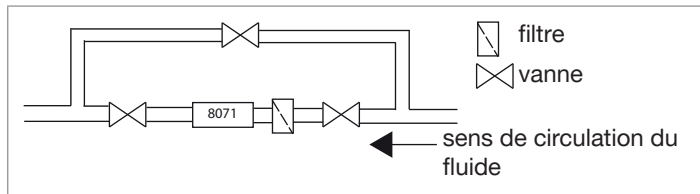


Fig. 3 Installation du circuit de dérivation

→ Installer l'appareil sur la canalisation de sorte que les axes des roues soient dans un plan horizontal.



Étancher les filetages avec un produit compatible avec les matériaux du raccord et ceux de la conduite.

→ Visser l'appareil sur la canalisation.

### 7.3 Câblage



**DANGER**

Risque de blessure par décharge électrique.

- ▶ Couper et consigner l'alimentation électrique avant d'intervenir sur l'installation.
- ▶ Respecter la réglementation en vigueur en matière de prévention des accidents et de sécurité relative aux appareils électriques.



- Utiliser une alimentation électrique de qualité (filtrée et régulée).
- Garantir l'équipotentialité de l'installation.

Fil rouge	Alimentation électrique (+)
Fil noir	Alimentation électrique(-)
Fil blanc	Sortie transistor NPN
Fil jaune	Interrupteur Reed
Fil vert	Interrupteur Reed

Table 1: Affectation des fils de raccordement

### 7.3.1 Câblage de la sortie transistor NPN et de la sortie interrupteur Reed

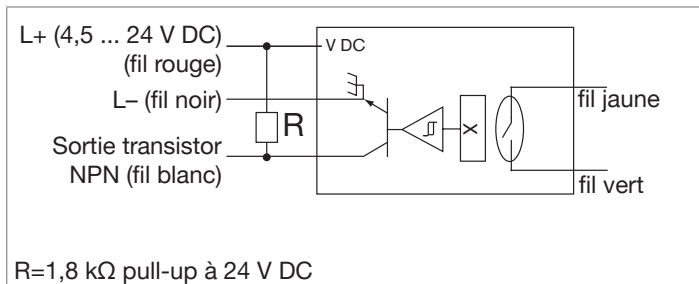


Fig. 4 Câblage de la sortie transistor NPN et de la sortie interrupteur Reed

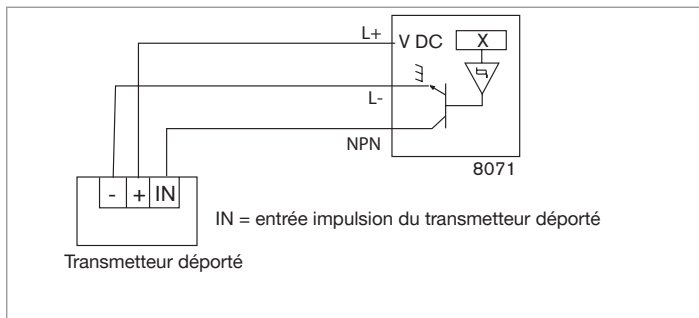


Fig. 5 Exemple de raccordement de la sortie transistor NPN à un transmetteur déporté

## 8 MISE EN SERVICE

### 8.1 Consignes de sécurité



#### AVERTISSEMENT

Risque de blessure dû à une mise en service non conforme.

La mise en service non conforme peut entraîner des blessures et endommager l'appareil et son environnement.

- ▶ S'assurer avant la mise en service que le personnel qui en est chargé a lu et parfaitement compris le contenu de ce manuel.
- ▶ Respecter en particulier les consignes de sécurité et l'utilisation conforme.
- ▶ L'appareil / l'installation ne doit être mis(e) en service que par du personnel suffisamment formé.



Protéger l'appareil contre les perturbations électromagnétiques, les rayons ultraviolets et, lorsqu'il est installé à l'extérieur, des effets des conditions climatiques.



La canalisation doit être remplie et exempte de bulles d'air.

→ Purger l'air de la canalisation en remplissant progressivement la canalisation en fluide.

→ Vérifier l'étanchéité de l'installation.



## 9 MAINTENANCE ET DÉPANNAGE

### 9.1 Consignes de sécurité



#### DANGER

Risque de blessure dû à la pression élevée dans l'installation.

- ▶ Stopper la circulation du fluide, couper la pression et purger la canalisation avant de desserrer les raccordements au process.

Risque de blessure par décharge électrique.

- ▶ Couper et consigner l'alimentation électrique avant d'intervenir sur l'installation.
- ▶ Respecter la réglementation en vigueur en matière de prévention des accidents et de sécurité relative aux appareils électriques.

Risque de blessure dû à la nature du fluide.

- ▶ Respecter la réglementation en vigueur en matière de prévention des accidents et de sécurité relative à l'utilisation de fluides agressifs.

Risque de blessure dû à des températures élevées du fluide

- ▶ Utiliser des gants de protection pour saisir l'appareil.
- ▶ Stopper la circulation du fluide et purger la canalisation avant de desserrer les raccordements au process.
- ▶ Tenir éloigné de l'appareil tout tissu et tout fluide facilement inflammable.



#### AVERTISSEMENT

Danger dû à une maintenance non conforme.

- ▶ Ces travaux doivent être effectués uniquement par du personnel qualifié et habilité, disposant des outils appropriés.
- ▶ Après toute coupure de l'alimentation électrique, garantir un redémarrage défini ou contrôlé du process.

### 9.2 Entretien du filtre

- Après circulation des 200 premiers litres de fluide, vérifier que le filtre ne contient ni copeaux ni dépôts. Le nettoyer si nécessaire avec un produit compatible avec les matériaux qui le composent.
- Vérifier régulièrement l'état du filtre, en particulier quand le débit de fluide diminue. Le nettoyer si nécessaire avec un produit compatible avec les matériaux qui le composent.

### 9.3 Entretien de l'appareil

- Vérifier régulièrement l'état du joint et des roues ovales de l'appareil. Procéder comme décrit aux chap. [9.4](#) et [9.5](#).

L'appareil peut être nettoyé avec un chiffon imbibé d'eau ou d'un produit compatible avec les matériaux qui le composent.

Votre fournisseur Bürkert reste à votre entière disposition pour tous renseignements complémentaires.

## 9.4 Démontez l'appareil

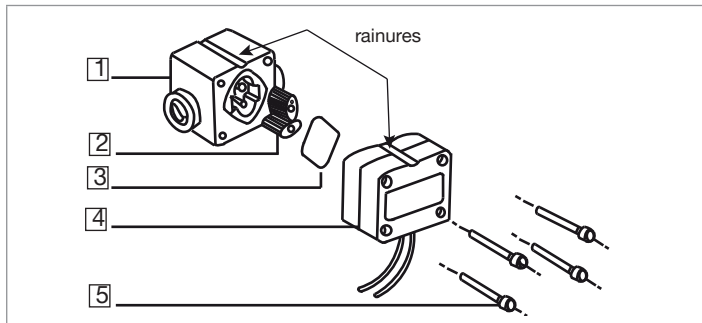


Fig. 6 Éclaté de l'appareil

- Desserrer les 4 vis (repère 5 Fig. 6) et retirer le couvercle avec module électronique (repère 4 Fig. 6).
- Retirer le joint (repère 3 Fig. 6).
- Vérifier l'état du joint. S'il est endommagé, le remplacer (voir chap. "10 Pièces de rechange et accessoires").
- Retirer les roues (repère 2 Fig. 6).
- Vérifier le bon état des roues. Les nettoyer et les remplacer si nécessaire (voir chap. 10).

## 9.5 Remontez l'appareil



Replacer la roue aimantée du même côté que la rainure (voir Fig. 7 et tableau ci-dessous).

→ Replacer les roues dans le boîtier, à 90° l'une par rapport à l'autre (voir Fig. 7).

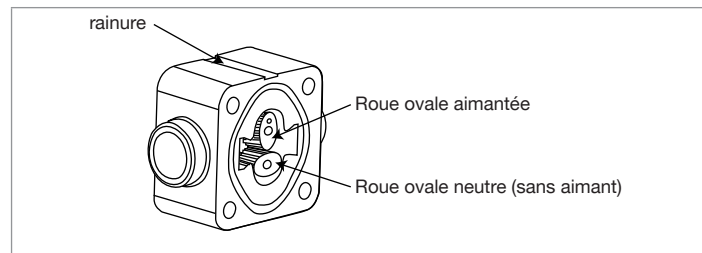


Fig. 7 Positionnement des roues ovales

Plage de débit	Roue ovale aimantée
0.5 ... 50 l/h	orifice de logement de l'aimant est visible (orienté vers le couvercle)
<ul style="list-style-type: none"> <li>• 0.5 ... 50 l/h</li> <li>• 2 ... 100 l/h</li> <li>• 15 ... 500 l/h</li> </ul>	orifice de logement de l'aimant n'est pas visible (orienté vers le fond du boîtier)

→ Orienter le rayon de courbure situé sur la périphérie des roues ovales vers le fond du boîtier (voir Fig. 8).

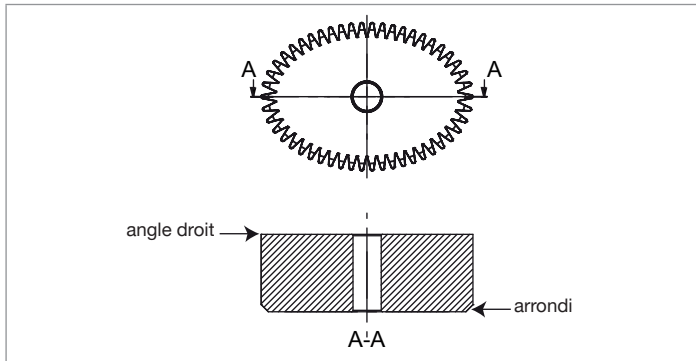


Fig. 8 Vue en coupe d'une roue ovale

- Vérifier la présence de l'aimant à l'aide d'un détecteur.
- Vérifier que les roues tournent librement en les faisant tourner doucement avec le doigt.
- Replacer le joint (repère 3 Fig. 6).
- Remettre le couvercle (repère 4 Fig. 6) en alignant la rainure du couvercle avec celle du boîtier.
- Serrer les 4 vis (repère 5 Fig. 6) avec précaution et en croix pour ne pas endommager le boîtier, avec un couple de serrage de :
  - 1 Nm pour un boîtier en PPS
  - 2 Nm pour un boîtier en aluminium
  - 9 Nm pour un boîtier en acier inoxydable.

## 9.6 En cas de problème

Problème	Cause	Solution
Fluide ne s'écoule plus à travers l'appareil	Appareil obturé	→ Démontez et nettoyez les roues (voir chap. <a href="#">"9.4 Démontez l'appareil"</a> et chap. <a href="#">"9.5 Remontez l'appareil"</a> ). → Ajouter filtre de 75 µm en amont de l'appareil
	Filtre obturé (si présent)	→ Nettoyer le filtre.
	Roues endommagées	→ Changer les roues (voir chap. <a href="#">"10 Pièces de rechange et accessoires"</a> , <a href="#">"9.4 Démontez l'appareil"</a> et chap. <a href="#">"9.5 Remontez l'appareil"</a> ).
Débit réduit à travers l'appareil	Filtre (si présent) partiellement obturé	→ Nettoyer le filtre.
	Fluide trop visqueux	Utiliser des roues pour des fluides à viscosité > 1000 mPa.s.
Mesure incohérente	Plage de débit inadaptée	→ Vérifier spécifications, adapter l'appareil ou le débit (voir chap. <a href="#">"6.4 Caractéristiques fluidiques"</a> ).
	Air dans la conduite	→ Purger doucement l'air de la conduite.
	Frottements dus à un mauvais remontage de l'appareil	→ Vérifier le montage des roues dans le raccord (voir chap. <a href="#">"9.4 Démontez l'appareil"</a> et chap. <a href="#">"9.5 Remontez l'appareil"</a> ).
Pas de sortie fréquence	Mauvais câblage des sorties	→ Vérifier le câblage (voir chap. <a href="#">"7.3 Câblage"</a> ).
	Roues montées dans le mauvais sens	→ Démontez l'appareil et changez la position des roues (voir chap. <a href="#">"9.4 Démontez l'appareil"</a> et chap. <a href="#">"9.5 Remontez l'appareil"</a> ).
	Aimant défectueux	→ Remplacer les roues (voir chap. <a href="#">"10 Pièces de rechange et accessoires"</a> , <a href="#">"9.4 Démontez l'appareil"</a> et <a href="#">"9.5 Remontez l'appareil"</a> ).
	Capteur Hall ou interrupteur Reed défectueux	→ Remplacer le couvercle avec module électronique (voir chap. <a href="#">"10 Pièces de rechange et accessoires"</a> , 9.4 et 9.5).

## 10 PIÈCES DE RECHANGE ET ACCESSOIRES



### ATTENTION

Risque de blessure et de dommage matériel dus à l'utilisation de fausses pièces.

Un mauvais accessoire ou une pièce de rechange inadaptée peuvent entraîner des blessures et endommager l'appareil et son environnement.

- N'utiliser que les accessoires et pièces détachées d'origine de la société Bürkert.

Pièce de rechange	Référence de commande
Jeu de 2 roues ovales en acier inoxydable, plage de débit 0.5 ... 100 l/h	550919
Jeu de 2 roues ovales en acier inoxydable, plage de débit 15 ... 500 l/h	550920
Jeu de 2 roues ovales en PPS, plage de débit 0.5 ... 100 l/h	550921
Jeu de 2 roues ovales en PPS, plage de débit 15 ... 500 l/h	550922
Joint FKM	550923
Joint FFKM	550959

Pièce de rechange	Référence de commande
Couvercle en acier inoxydable avec module électronique incluant le capteur à effet Hall et l'interrupteur Reed	553653
Couvercle en PPS avec module électronique incluant le capteur à effet Hall et l'interrupteur Reed	553654
Couvercle en aluminium avec module électronique incluant le capteur à effet Hall et l'interrupteur Reed	sur demande

## 11 EMBALLAGE ET TRANSPORT

### REMARQUE

#### Dommages dus au transport

Le transport peut endommager un appareil insuffisamment protégé.

- ▶ Transporter l'appareil dans un emballage résistant aux chocs, à l'abri de l'humidité et des impuretés.
- ▶ Ne pas exposer l'appareil à des températures pouvant entraîner le dépassement de la plage de température de stockage.
- ▶ Protéger les interfaces électriques à l'aide de bouchons de protection.

## 12 STOCKAGE

### REMARQUE

#### Un mauvais stockage peut endommager l'appareil.

- ▶ Stocker l'appareil dans un endroit sec et à l'abri de la poussière.
- ▶ Température de stockage : -10...+60 °C.

## 13 ÉLIMINATION DE L'APPAREIL

→ Éliminer l'appareil et l'emballage dans le respect de l'environnement.

### REMARQUE

#### Dommages à l'environnement causés par des pièces contaminées par des fluides.

- ▶ Respecter les prescriptions en vigueur en matière d'élimination des déchets et de protection de l'environnement.

#### Élimination écologique



- ▶ Respecter les réglementations nationales en matière d'élimination et d'environnement.
- ▶ Collecter séparément les appareils électriques et électroniques et les éliminer de manière spécifique.

Plus d'informations sur [country.burkert.com](https://country.burkert.com).



[www.burkert.com](http://www.burkert.com)