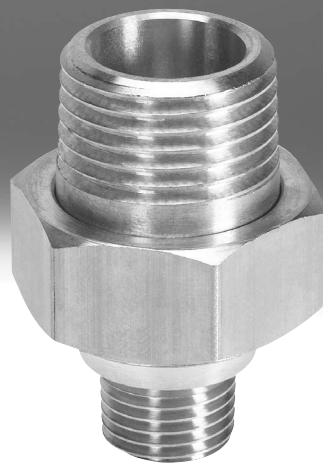


Threaded fittings

FESTO



Festo Core Range
Solves the majority of your automation tasks




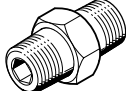
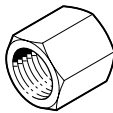


With the Festo Core Range, we have selected the most important products and functions from our broad product catalogue, and added the quickest delivery.

Worldwide: Quickest delivery – wherever, whenever
Simply good: Expected high Festo quality
Fast: Easy and fast to select

The Core Range offers you the best value for your automation tasks.

Just look
for the
star!


Product range overview

Design	Version	Type	Connection D1			Connection D2		→ Page/ Internet	
			M thread	G thread	R thread	M thread	R thread		
Straight shape	Blanking plug – External hex								
		B	M3	-	-	-	-	3	
			M5						
	Blanking plug – Internal hex								
		B	M3	-	-	-	-	4	
			M5						
			M7						
			-						G1/8
									G1/4
									G3/8
			G1/2						
		G3/4							
		G1							
Reducing nipple – male thread/female thread									
	D	M5	-	-	M7	-	6		
Double nipple									
	ESK	-	-	R1/8	-	R1/8, R1/4, R3/8	6		
				R1/4		R1/4, R3/8, R1/2			
				R3/8		R3/8, R1/2			
				R1/2		R1/2			
Sleeve									
	QM	M5	-	-	-	-	7		
		-	G1/8						
			G1/4						
			G3/8						
			G1/2						
			G3/4						
			G1						
L-shape	Elbow fitting								
		LJK	-	G1/8	-	-	-	8	
				G1/4					
				G3/8					
	G1/2								
T-shape	T-fitting								
		TJK	M3	-	-	-	-	8	
			-						G1/8
									G1/4
									G3/8
			G1/2						

Datasheet

Blanking plug B

With external hex and sealing ring

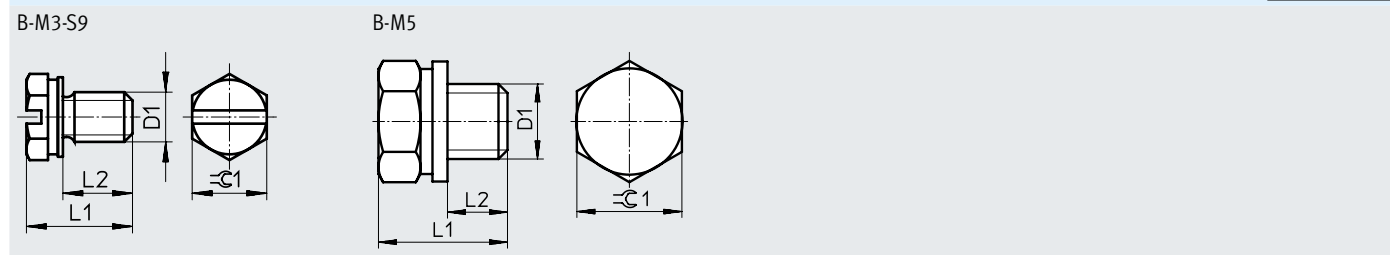
 **Note**
Sealing ring is supplied loose.



General technical data		Male thread	
Pneumatic connection		M3	M5
Type of mounting		External hex, A/F 4.5 and slot 0.8 mm	External hex, A/F 7
Nominal tightening torque	[Nm]	0.48 ±55%	1.33 ±20%

Materials		Male thread	
Pneumatic connection		M3	M5
Blanking plug		High-alloy stainless steel	Anodised aluminium
O-ring		Stainless steel, NBR	
Note on materials		RoHS-compliant	
LABS (PWIS) conformity		VDMA24364-B1/B2-L	

Dimensions Download CAD data → www.festo.com



★ Core Range

Dimensions and ordering data		Dimensions [mm]			Weight/ piece [g]	Part no.	Type	Pcs. ¹⁾
Pneumatic connection	Male thread	L1	L2	$\approx C1$				
M thread								
M3		5.3	2.8	4.5	1	★ 30979	B-M3-S9	10
M5		7.8	3.8	7	1	★ 3843	B-M5	10
						534212	B-M5-100	100

1) Pack size

Datasheet

Blanking plug B

With internal hex and sealing ring



Note

Sealing ring is supplied loose.



General technical data

Pneumatic connection	Male thread							
	M5	M7	G1/8	G1/4	G3/8	G1/2	G3/4	G1
Type of mounting	Internal hex, A/F 2.5	Internal hex, A/F 3	Internal hex, A/F 5	Internal hex, A/F 6	Internal hex, A/F 8	Internal hex, A/F 10	Internal hex, A/F 12	Internal hex, A/F 17
Conforms to standard	-		DIN 908					
Nominal tightening torque [Nm]	1.33 ±20%	3.35 ±20%	3.5 ±20%	11 ±10%	12.5 ±20%	14 ±20%	35 ±10%	62.5 ±20%

Operating and environmental conditions – Products for battery production (F1A¹⁾)

Suitable for the production of Li-ion batteries	Metals with more than 1% by mass of copper, zinc or nickel are excluded from use. Exceptions are nickel in steel, chemically nickel-plated surfaces, printed circuit boards, cables, electrical plug connectors and coils
Cleanroom class	Class 6 to ISO 14644-1

1) Recommended for battery manufacturing

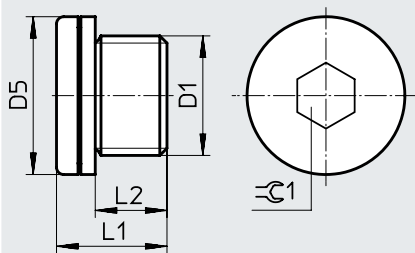
Materials

Pneumatic connection	Male thread							
	M5	M7	G1/8	G1/4	G3/8	G1/2	G3/4	G1
Blanking plug	Nickel-plated steel (F1A ¹⁾ : Chemically nickel-plated steel)							
O-ring	Stainless steel, NBR		PA, TPE-U(PUR)				PVC	
Note on materials	RoHS-compliant							
LABS (PWIS) conformity	VDMA24364-B1/B2-L (F1A ¹⁾ : VDMA24364-B2-L)							

1) Recommended for battery manufacturing

Datasheet

Dimensions

Download CAD data → www.festo.com

★ Core Range

Dimensions and ordering data		Dimensions [mm]				Weight/ piece [g]	Part no.	Type	Pcs. ¹⁾
Pneumatic connection	Variants	D5 ∅	L1	L2	≈ 1				
Male thread									
D1									
M thread									
M5	–	8	6.3	3.8	2.5	1	★ 174308	B-M5-B	10
	Cu/Zn/Ni metals excluded						8142288	B-M5-F1A ²⁾	10
M7	–	9.5	7.8	5.3	3	2	★ 174309	B-M7	10
	Cu/Zn/Ni metals excluded						8144525	B-M7-F1A ²⁾	10
G thread									
G1/8	–	14	11	6.4	5	7	★ 3568	B-1/8	10
	Cu/Zn/Ni metals excluded						534213	B-1/8-100	100
							8142289	B-1/8-F1A ²⁾	10
G1/4	–	18	15	9.8	6	15	★ 3569	B-1/4	10
	Cu/Zn/Ni metals excluded						534214	B-1/4-50	50
							8142290	B-1/4-F1A ²⁾	10
G3/8	–	22	15	9.8	8	23	★ 3570	B-3/8	10
							534215	B-3/8-20	20
G1/2	–	26	18	11.65	10	43	★ 3571	B-1/2	10
							534216	B-1/2-20	20
G3/4	–	32	20	13.05	12	76	★ 3572	B-3/4	1
G1	–	39	21	14	17	123	★ 5763	B-1	1

1) Pack size


2) Recommended for battery manufacturing

Threaded fittings

Datasheet

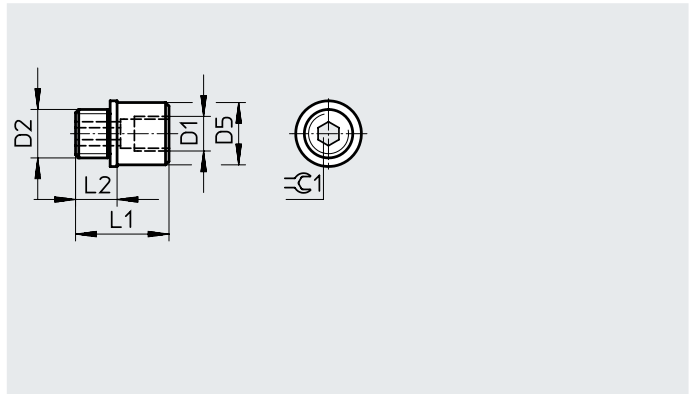
Reducing nipple D

With sealing ring

 **Note**
Sealing ring is supplied loose.

Material:
Brass

LABS (PWIS) conformity:
VDMA24364-B1/B2-L



Dimensions and ordering data

Pneumatic connection		Dimensions [mm]				Weight/ piece [g]	Part no.	Type	Pcs. ¹⁾
Female thread D1	Male thread D2	D5	L1	L2	±G 1				
M5	M7	9	13.3	5.3	3	43	161359	D-M5I-M7A-ISK	10

1) Pack size

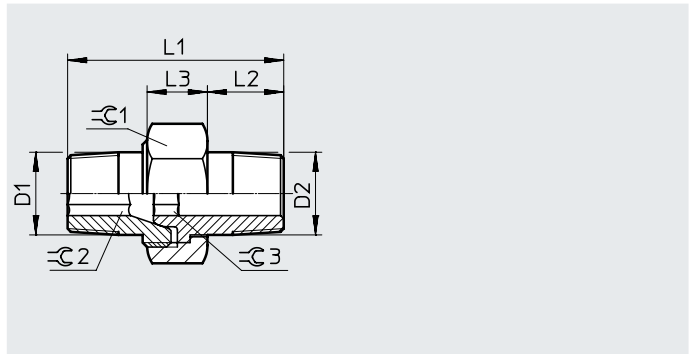
Double nipple ESK

Adjustable for angular compensation

Material:
Brass

Note on materials:
RoHS-compliant

LABS (PWIS) conformity:
VDMA24364-B1/B2-L



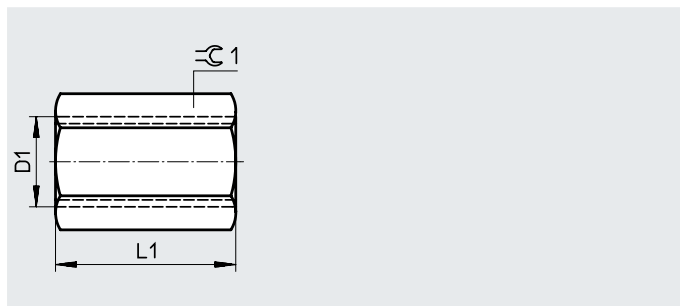
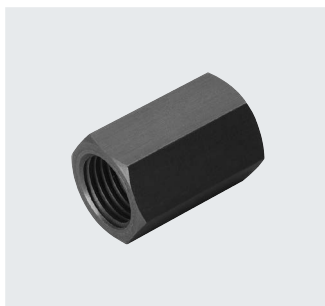
Dimensions and ordering data

Pneumatic connection		Dimensions [mm]						Part no.	Type	Pcs. ¹⁾
Male thread D1	Male thread D2	L1	L2	L3	±G 1	±G 2	±G 3			
R1/8	R1/8	27	9	8.5	15	5	5	151520	ESK-1/8-1/8	1
	R1/4	30.6	12	9.5	19	5	6	534151	ESK-1/8-1/4	1
	R3/8	34.5	13	10	22	5	8	534155	ESK-1/8-3/8	1
R1/4	R1/4	34	12	9.5	19	6	6	151521	ESK-1/4-1/4	1
	R3/8	36	13	10	22	6	8	534152	ESK-1/4-3/8	1
	R1/2	40.5	16	12	27	6	12	534153	ESK-1/4-1/2	1
R3/8	R3/8	36	13	10	22	8	8	151522	ESK-3/8-3/8	1
	R1/2	44	16	12	27	8	12	534154	ESK-3/8-1/2	1
R1/2	R1/2	44	16	12	27	12	12	151523	ESK-1/2-1/2	1

1) Pack size

Datasheet

Sleeve QM



Materials

Pneumatic connection	Female thread						
	M5	G1/8	G1/4	G3/8	G1/2	G3/4	G1
Sleeve	Anodised wrought aluminium alloy						
Note on materials	RoHS-compliant						
LABS (PWIS) conformity	VDMA24364-B1/B2-L						
Corrosion resistance class CRC ¹⁾	2 - Moderate corrosion stress	-					

1) More information www.festo.com/x/topic/crc

Dimensions and ordering data

Pneumatic connection	Dimensions [mm]		Weight/ piece [g]	Part no.	Type	Pcs. ¹⁾
	L1	$\approx \varnothing$ 1				
Female thread						
D1						
M5	12	7	-	3560	QM-M5-M5	10
G1/8	22	13	6	2254	QM-1/8-1/8	10
G1/4	26	17	9	2255	QM-1/4-1/4	10
G3/8	32	22	19	2256	QM-3/8-3/8	10
G1/2	36	27	31	2257	QM-1/2-1/2	10
G3/4	36	32	36	4226	QM-3/4-3/4	1
G1	40	41	80	9968	QM-1-1	1

1) Pack size

Threaded fittings

Datasheet

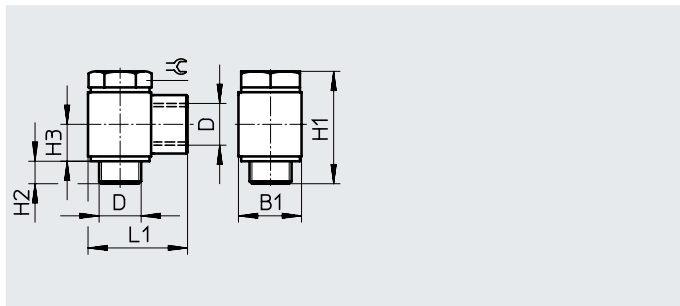
Elbow fitting LJK

With sealing ring



Note

Sealing ring is supplied loose.



Materials

Housing	Die-cast zinc
Hollow bolt	Anodised aluminium
Note on materials	RoHS-compliant
LABS (PWIS) conformity	VDMA24364-B1/B2-L

Dimensions and ordering data

Pneumatic connection	Nominal width [mm]	Dimensions [mm]						Part no.	Type	Pcs. ¹⁾
		B1	H1	H2	H3	L1	⌀			
D										
G1/8	4	16	27.1	4.7	9.2	23.5	13	4945	LJK-1/8	1
G1/4	6	20	34.3	5.7	11.8	31	17	4946	LJK-1/4	1
G3/8	8	25	41.3	6.7	14.3	36.5	22	4947	LJK-3/8	1
G1/2	12	30	46.6	7.5	17.05	44	27	4948	LJK-1/2	1

1) Pack size

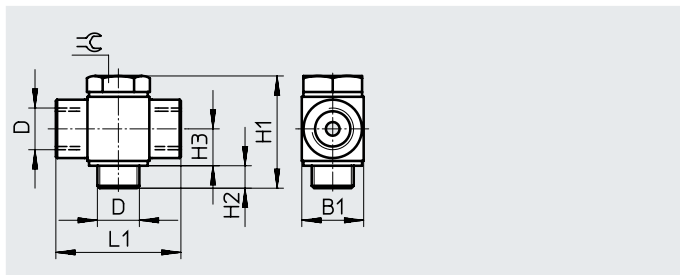
T-fitting TJK

With sealing ring



Note

Sealing ring is supplied loose.



Operating and environmental conditions

Operating medium	Compressed air to ISO 8573-1:2010 [7:--]
Note on the operating/pilot medium	Lubricated operation possible (in which case lubricated operation will always be required)

Materials

Pneumatic connection	M3	G1/8	G1/4	G3/8	G1/2
Housing	Nickel-plated brass	Die-cast zinc			
Hollow bolt	Nickel-plated brass	Anodised aluminium			
Note on materials	RoHS-compliant				

Dimensions and ordering data

Pneumatic connection	Nominal width [mm]	Dimensions [mm]						Part no.	Type	Pcs. ¹⁾
		B1	H1	H2	H3	L1	⌀			
D										
M thread										
M3	1.2	5	10	2	3.3	10	4.5	15874	TJK-M3	10
G thread										
G1/8	4	16	27.1	4.7	9.2	28	13	4949	TJK-1/8	1
G1/4	6	20	34.3	5.7	11.8	39	17	4950	TJK-1/4	1
G3/8	8	25	41.3	6.7	14.3	43	22	4951	TJK-3/8	1
G1/2	12	30	46.6	7.5	17.05	52	27	4952	TJK-1/2	1

1) Pack size