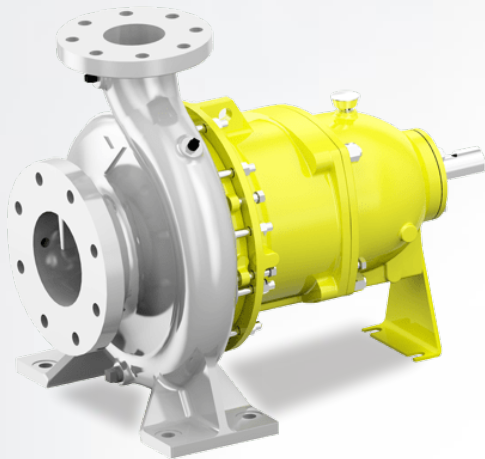




Enriching Lives

KIRLOSKAR ROMAK PUMP - RMK



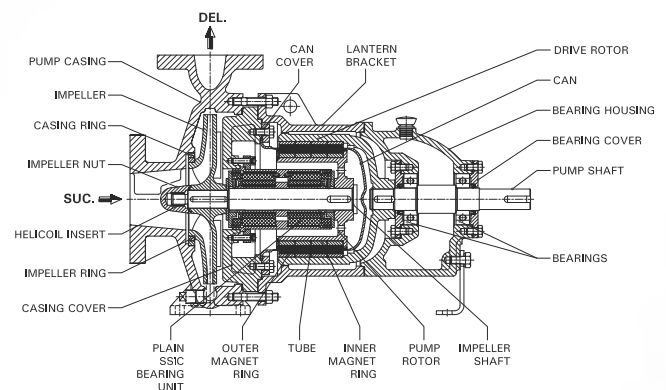
Applications

- Suitable for various process industries for clean/clear liquids without any suspended particles
- Chemical-Paints, solvents, intermediaries, resin, polymers, other Acidic and basic chemicals
- Pharmaceuticals
- Petrochemicals

Operating range

Delivery Size	32 to 100 mm
Capacity (Q)	Up to 300 m ³ /hr
Head (H)	upto 150 meters
Temperature (t)	-50°C up to 180°C
Speed (n)	2900, 1450, 980 rpm at 50 Hz and 3500, 1750, 1150 rpm at 60 Hz.

Cross-sectional drawing



Features

- Seal-less and glandless pump
- Magnetic drive pump comprises permanent magnet
- Zero leakage
- Designed as per ISO 2858/DIN EN 22858/ISO 5199 standards

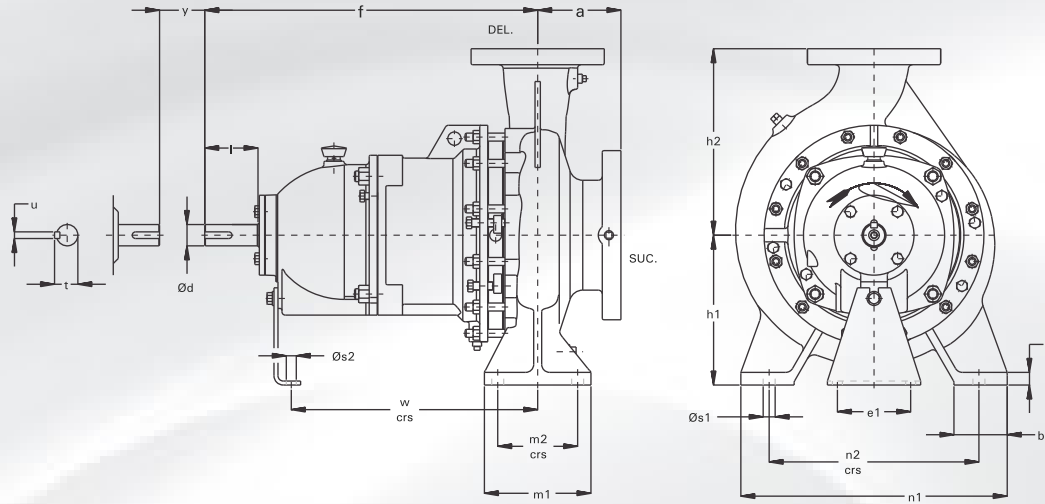
Material of Construction (MOC)

Pump casting, casing cover, wear ring and impeller shaft made of stainless steel and tested as per ASTM A351 M – CF8M

Pump shaft made of stainless steel and tested as per ASTM A276, Type 316 and 316L

Other (MOC) options available such as ASTM A890/890M CD4MCuN-1B Duplex, Alloy ASTM B473 UNS8020, ASTM A494 – Hastelloy B

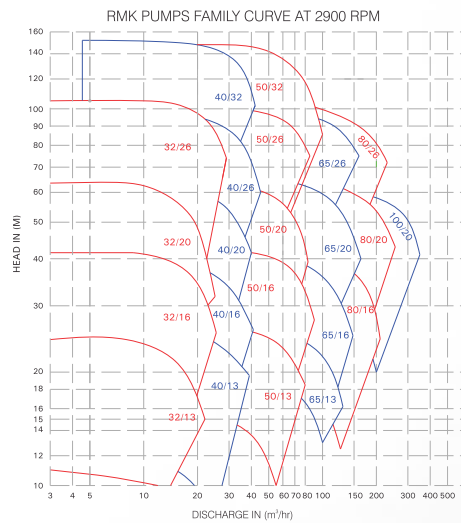
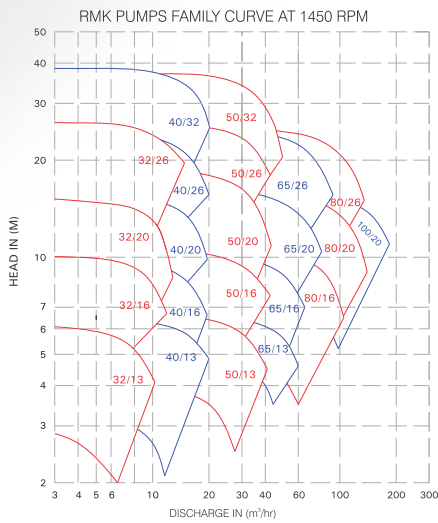
General Dimension & Mounting Details



PUMP SIZE	PUMP UNIT	PUMP DIMENSIONS						FOOT DIMENSIONS								SHAFT END																							
		DEL	SUC	a	f	h1	h2	b	c	m1	m2	n1	n2	w	Øs1	Øs2	e1	Ød	l	t	u	y																	
32/13	5.1	32	50	80	385	112	140	50	14	100	70	190	140	285	14	15	110	24	50	27	8	100																	
32/16	5.2					132	160					240	190																										
32/20	5.3					160	180					210	160																										
40/13	5.1					112	140					240	190																										
40/16	5.2	40	65	80	385	132	160	50	14	100	70	240	190	285	14	15	110	24	50	27	8	100																	
40/20	5.3					160	180					265	212																										
50/13	5.1					132	160					240	190																										
50/16	5.2					160	180					265	212																										
50/20	5.3	50	80	100	385	160	200	50	14	100	70	280	212	285	14	15	110	24	50	27	8	100																	
65/13	5.1					160	180					280	212																										
32/26	7.3					32	50					100	500										180	225	65	14	125	95	320	250	370	14	15	110	32	80	35	10	140
40/26	7.3					40	65					125	500										200	250					345	280									
40/32	7.4	50	80	125	500	180	225	320	250																														
50/26	7.3					225	280	345	280																														
50/32	7.4	50	80	125	500	225	280	65	14	125	95	345	280	370	14	15	110	32	80	35	10	140																	
65/16	7.1					160	200					280	212																										
65/20	7.2					180	225					320	250																										
65/26	7.3					200	250					360	280																										
80/16	7.1	80	125	125	500	180	225	80	16	160	120	360	280	370	18	15	110	32	80	35	10	140																	
80/20	7.2					225	280					400	315																										
80/26	7.3					250	320					440	350																										
100/20	7.2					200	280					360	280																										

*Note : These are tentative dimensions. Certified dimensions shall be submitted against order.

Performance Chart



KIRLOSKAR BROTHERS LIMITED

Established 1888

A Kirloskar Group Company

OUR COMPANIES



Registered Office & Global Headquarters:

"Yamuna", S.No.98(3-7), Plot No. 3, Baner, Pune - 411045, Maharashtra, India. Phone: +91 (20) 27214444

Fax No. 020 67211060 | Email: marketing@kbl.co.in | Website : www.kirloskarpumps.com | CIN No. L29113PN1920PLC000670.