

Tek-Bar 3120S





Piezoresistive Pressure Transducer



Quick Start Guide

1. Before You Begin

Before installation check the model, specifications, and installation location for the transducer. Follow the Operating Instruction Manual for detailed installation and other information.

-  Do not remove the transducer cover in explosive atmospheres when the circuit is alive.
-  Installation of the device must be carried out by trained, qualified specialists. The specialist must have read and understood these Operating Instructions and must follow the instructions they contain.
-  Do not clean or touch diaphragm seals with hard or pointed object.
-  When using the measuring device in hazardous areas, installation must comply with the corresponding national standards and regulations and the Safety Instructions or Installation or Control Drawings.

2. Unpack

Tek-Bar 3120S Piezoresistive Pressure Transducer

3. Dimensional Drawing

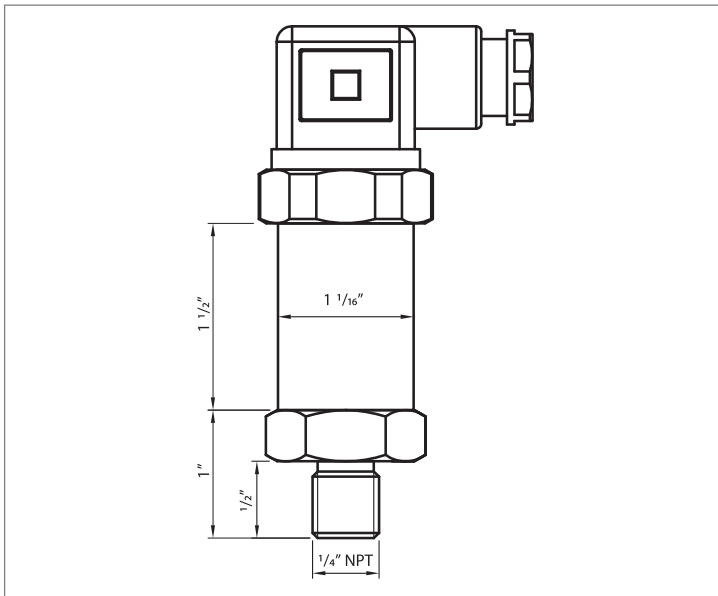


Fig 1: Connector DIN43650

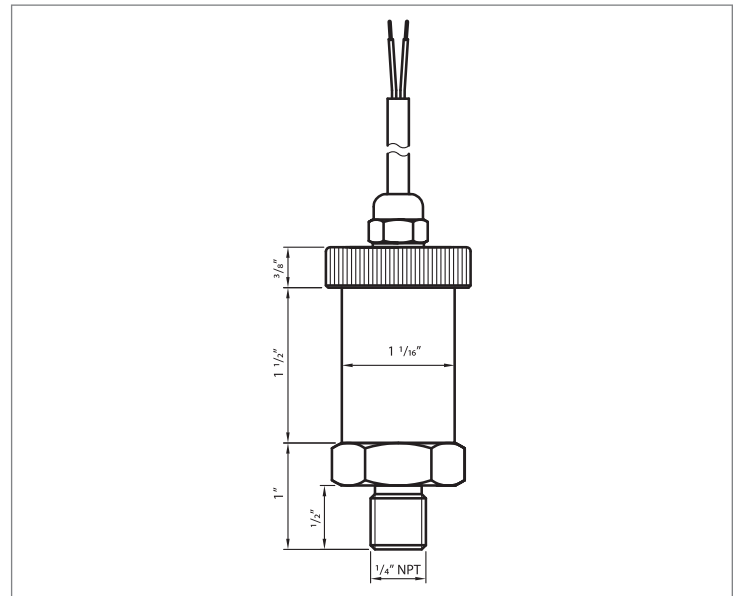


Fig 2: Hirschman Cable Outlet

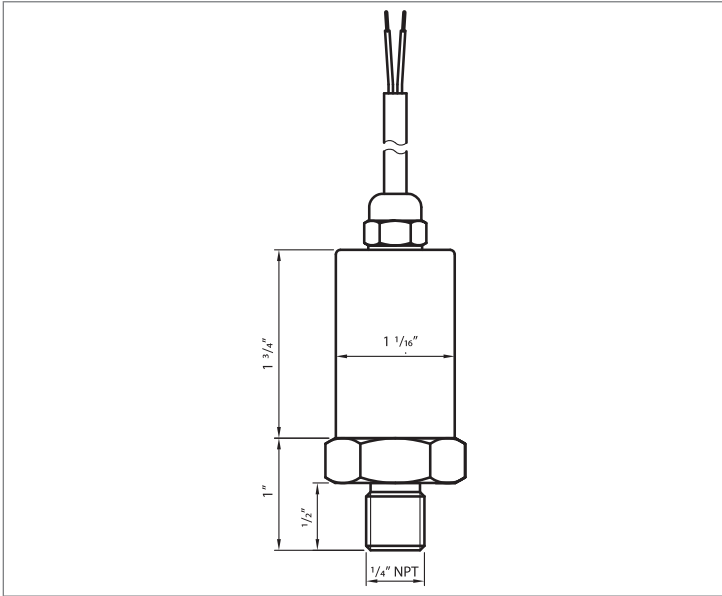


Fig 3: Cable Outlet with PVC – Cable

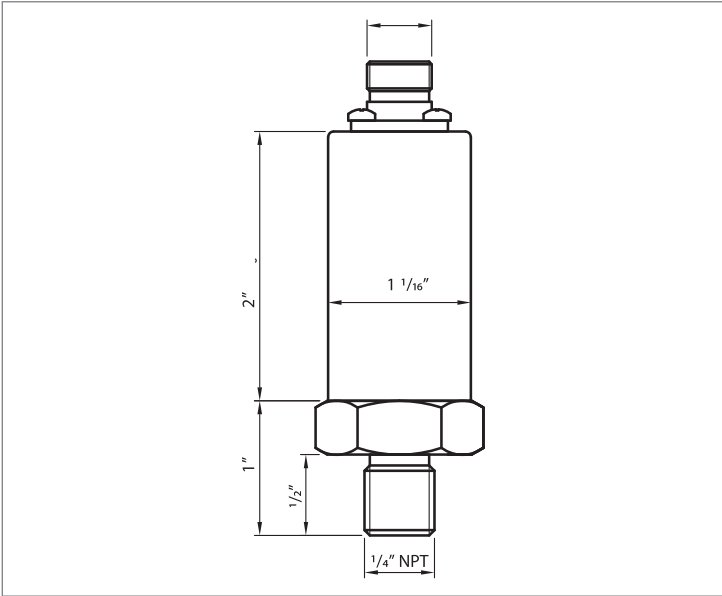


Fig 4: M12X1, 4-Pin

Mechanical Connections

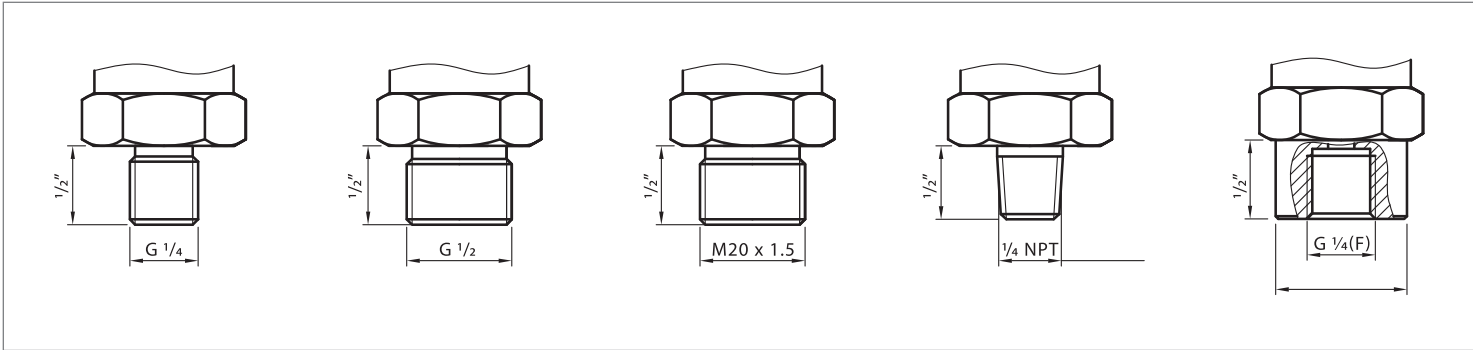


Fig 5: Mechanical Connection

Quick Start Guide

4. Connection Diagram

Connector DIN43650

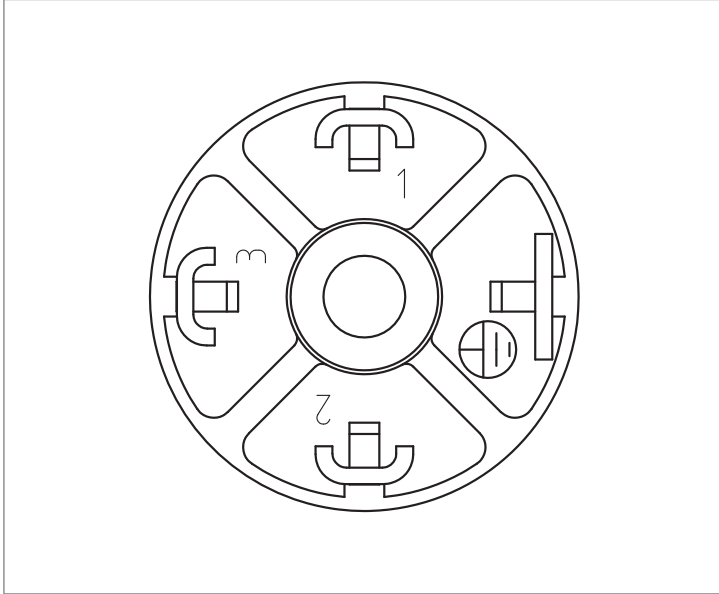


Fig 6: Connection Diagram of Connector DIN43650

Table 1: Pin Description of Connector DIN43650

Pin	2-wire Current	3-wire Voltage
Supply +	1	1
Signal +	2	3
Ground	-	2

Cable Outlet

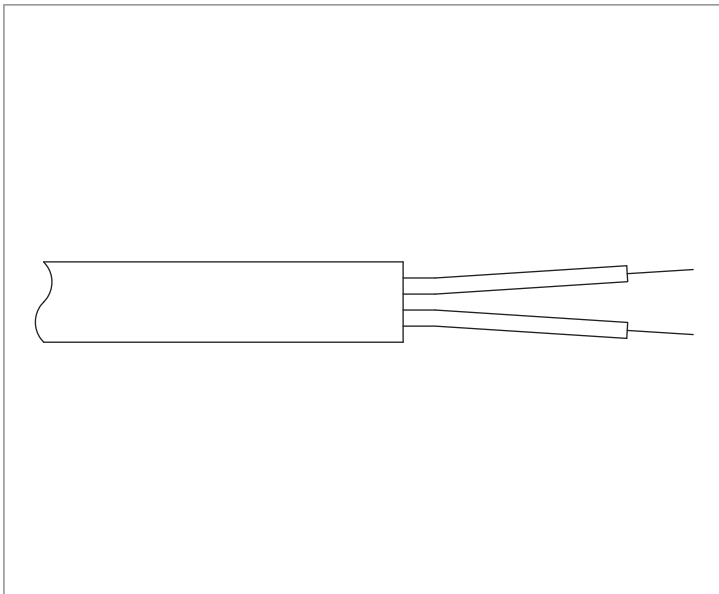


Fig 7: Cable Outlet

Table 2: Pin Description of Cable Outlet

Pin	2-wire Current	3-wire Voltage
Supply +	Red	Red
Signal +	Black	Green
Ground	-	Black

Connector M12X1 (4-pin)

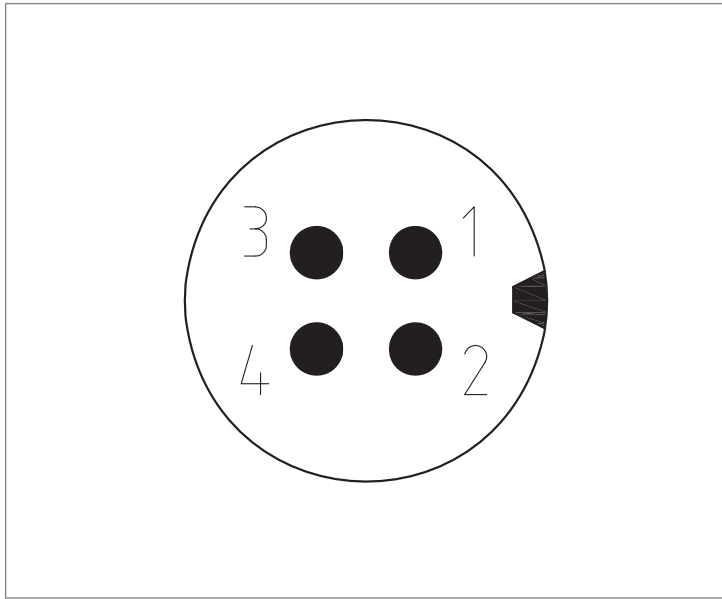
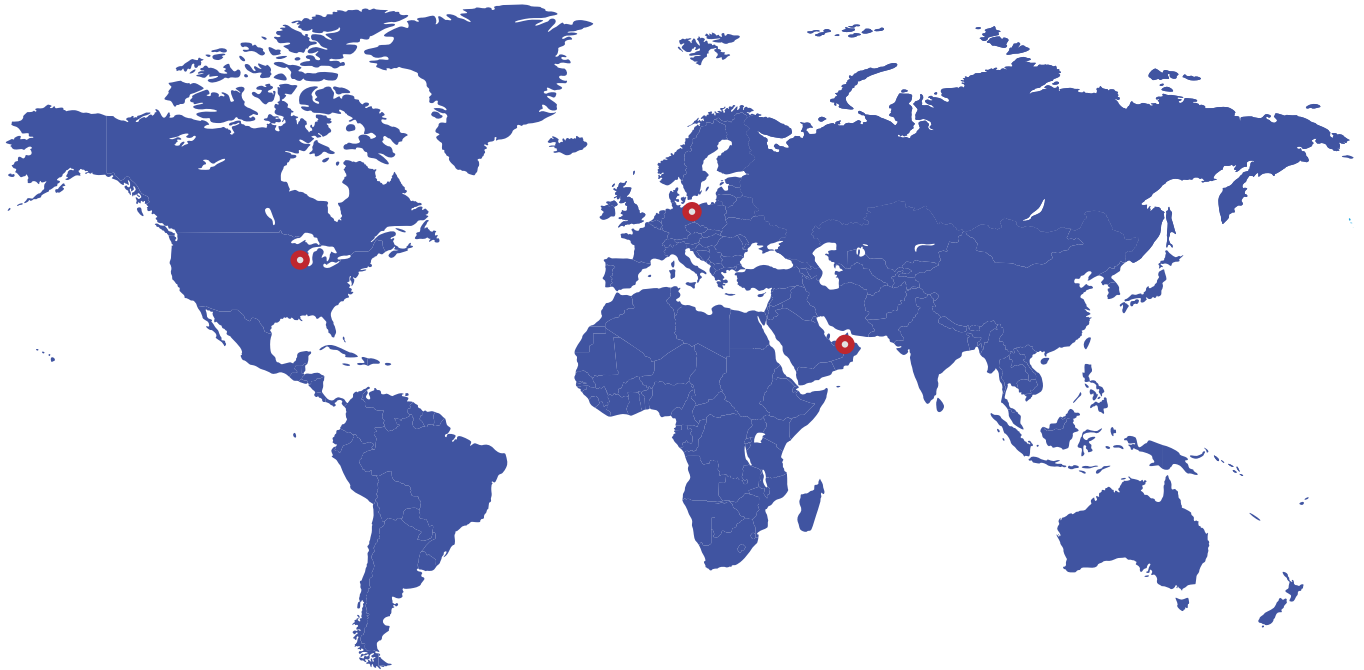


Fig 8: Connector M12X1 (4-pin)

Table 3: Pin Description of Connector M12X1 (4-pin)

Pin	2-wire Current	3-wire Voltage
Supply +	1	1
Signal +	2	3
Ground	-	2



Tek-Trol LLC

796 Tek Drive Crystal Lake, IL
60014, USA
Sales: +1 847-655-7428

Tek-Trol Solutions BV

Florijnstraat 18, 4879 AH
Etten-Leur, Netherlands
Sales: +31 76-2031908

Tek-Trol Middle East FZE

SAIF Zone, Y1-067, PO BOX No.
21125, Sharjah, UAE
Sales: +971-6526-8344

Support: +1 847-857-6076

Email: tektrol@tek-trol.com

www.tek-trol.com
