



Fall Protection

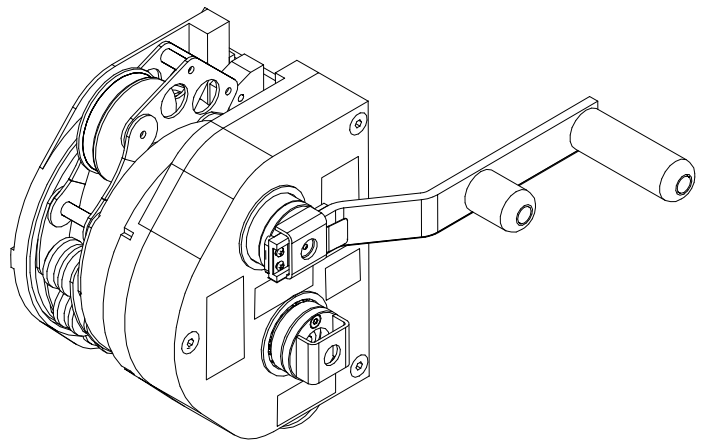
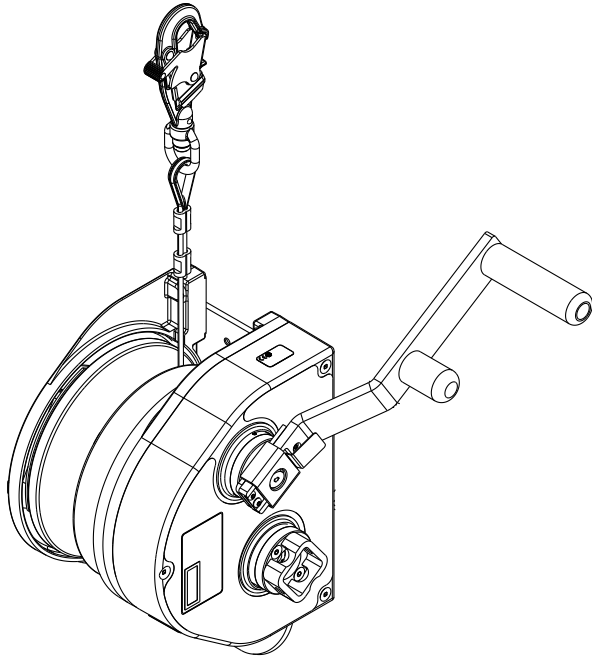
CE 0398

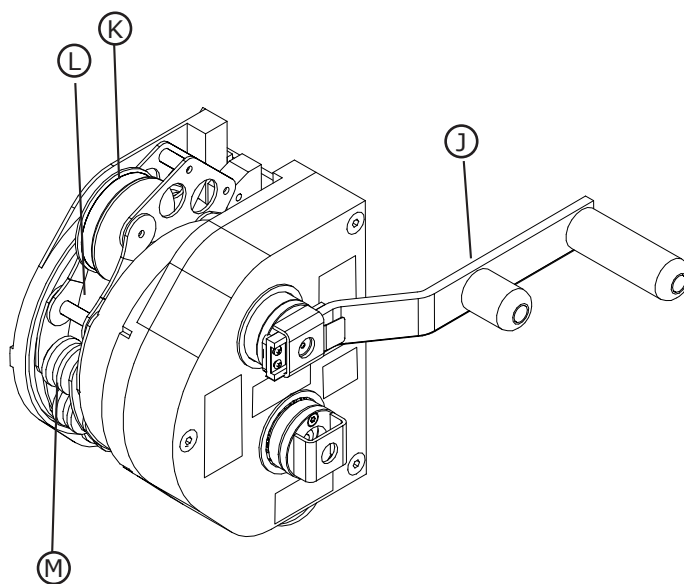
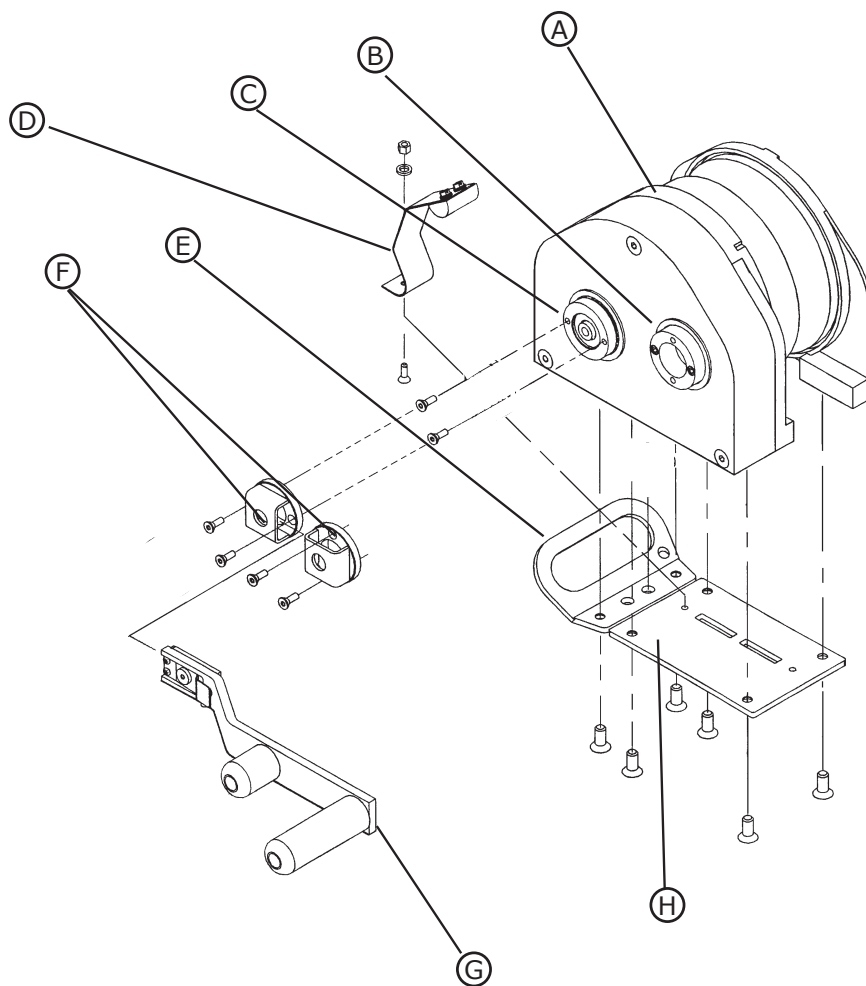
OSHA 1910.140  
OSHA 1910.146  
OSHA 1926.502

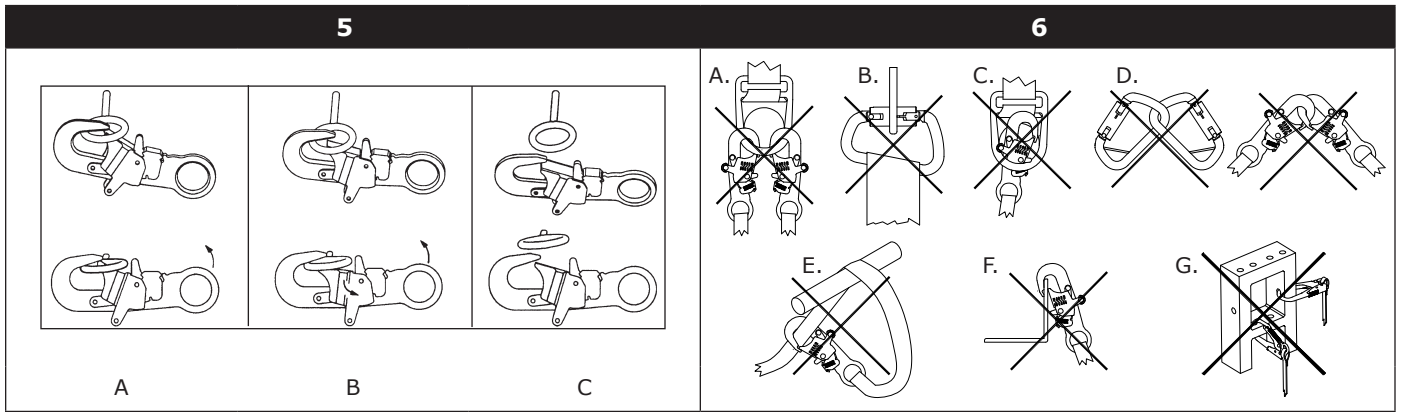
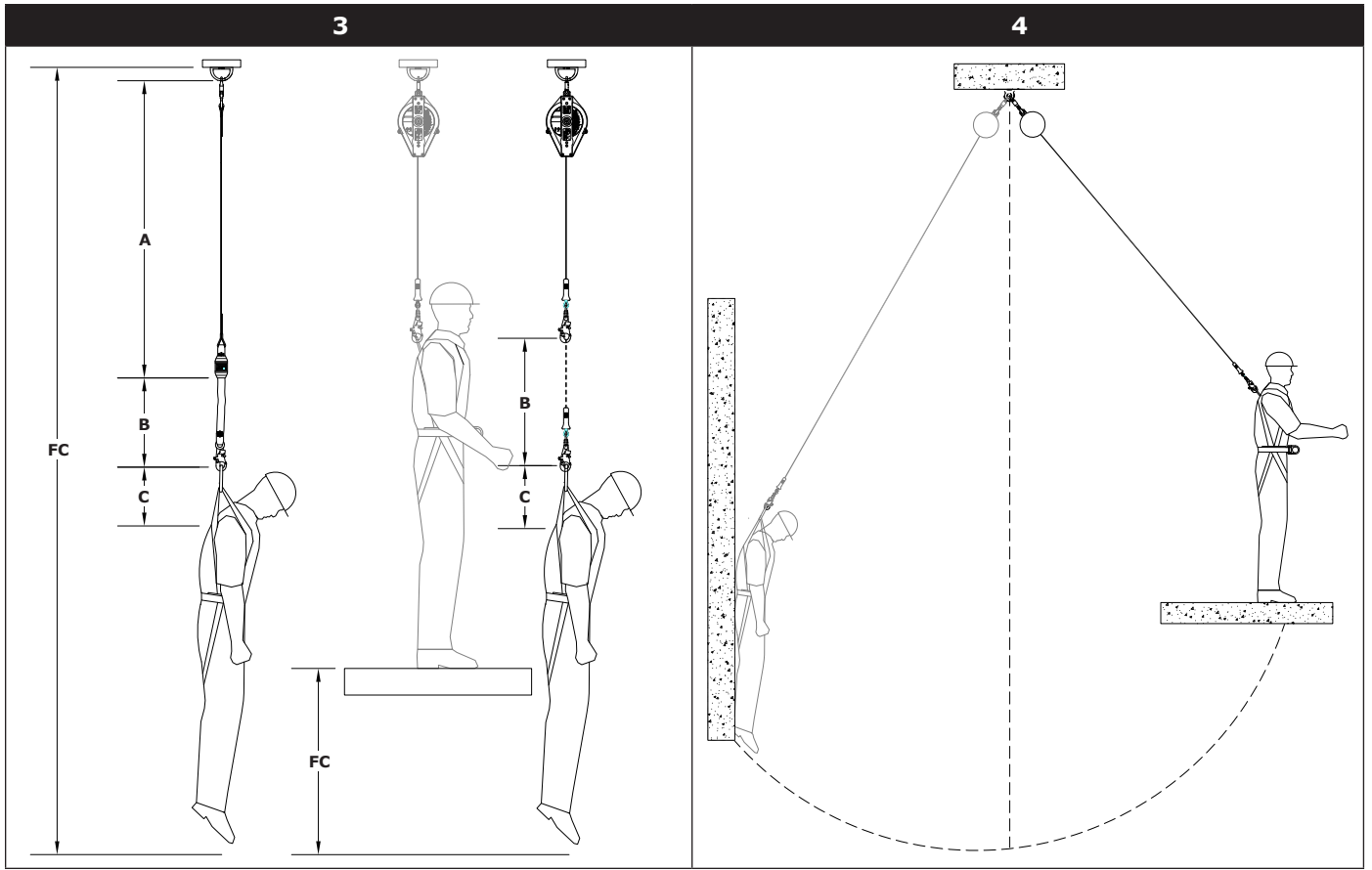
**DIGITAL WINCH  
AND CONTINUOUS FEED WINCH  
Confined Space Entry/Rescue**

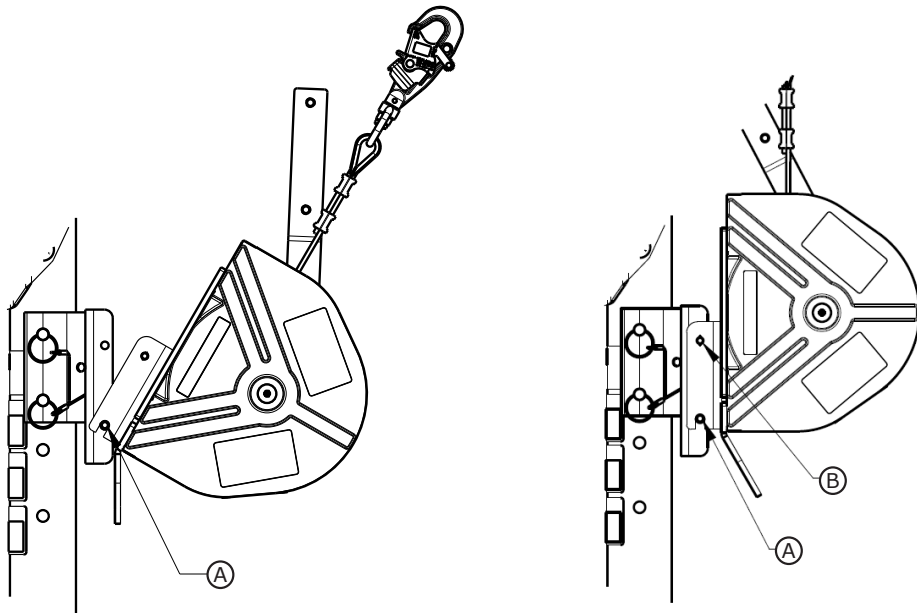
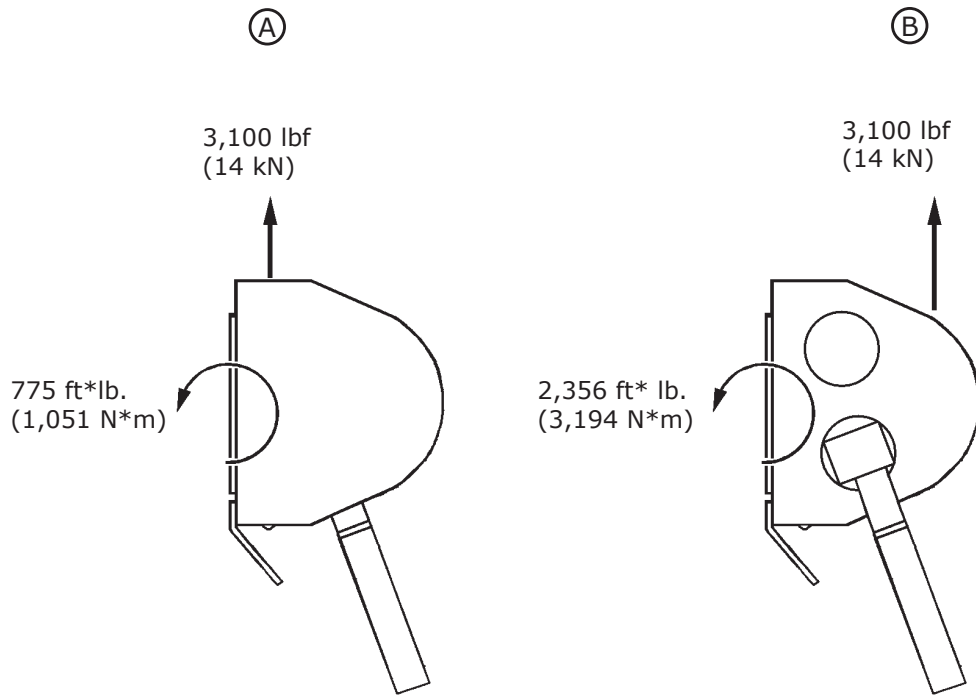
**USER INSTRUCTIONS  
8511324 Rev. L**

1

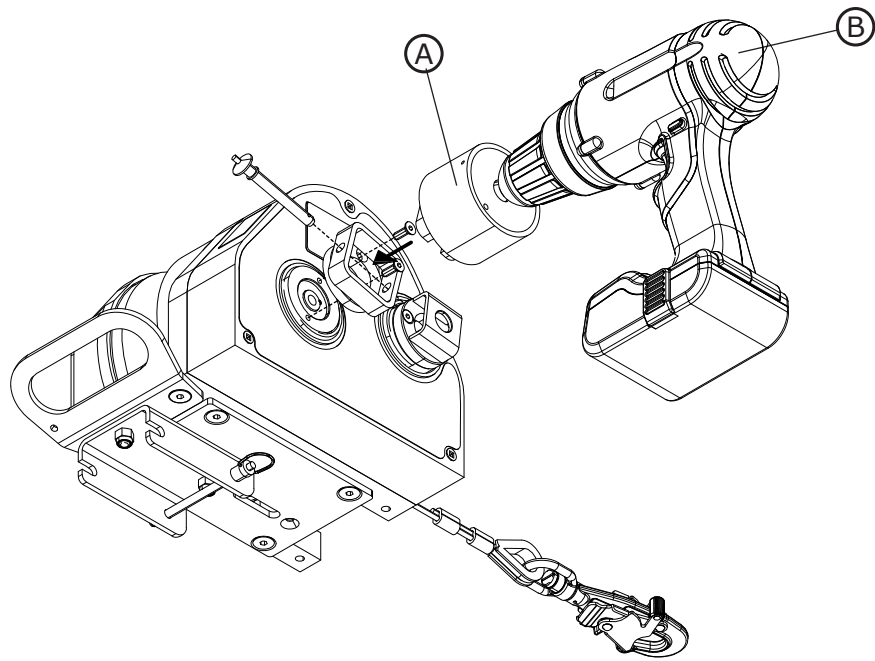




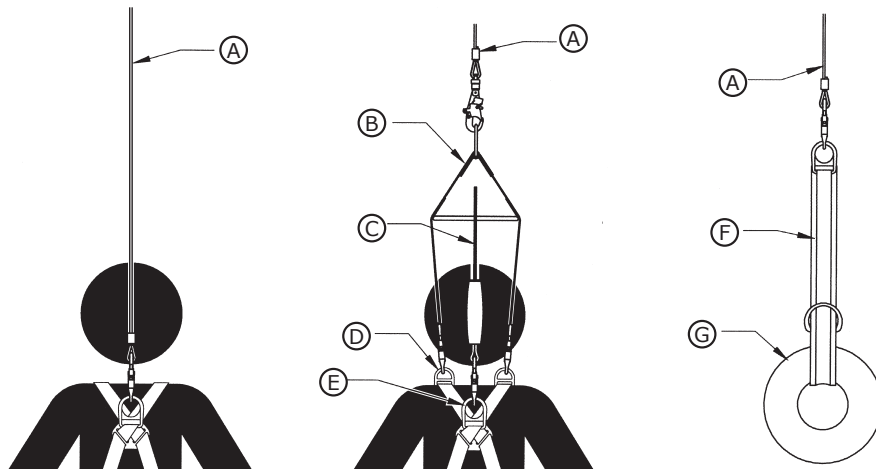




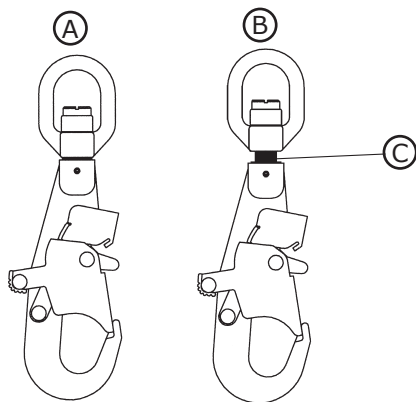
9



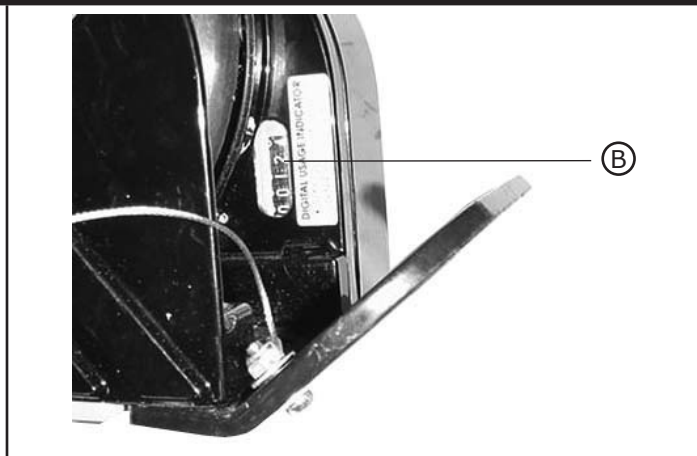
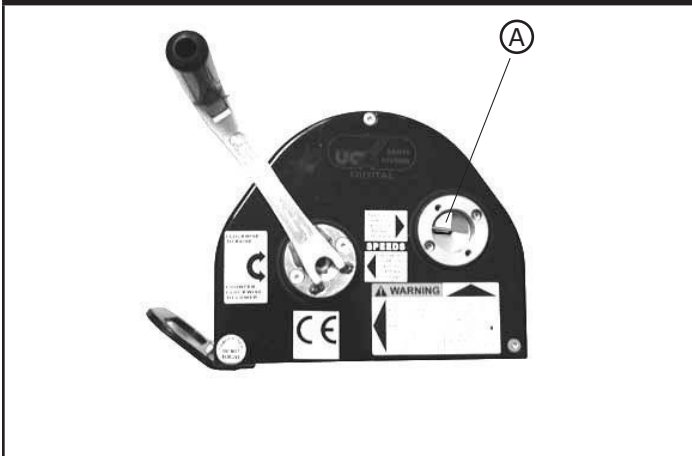
10



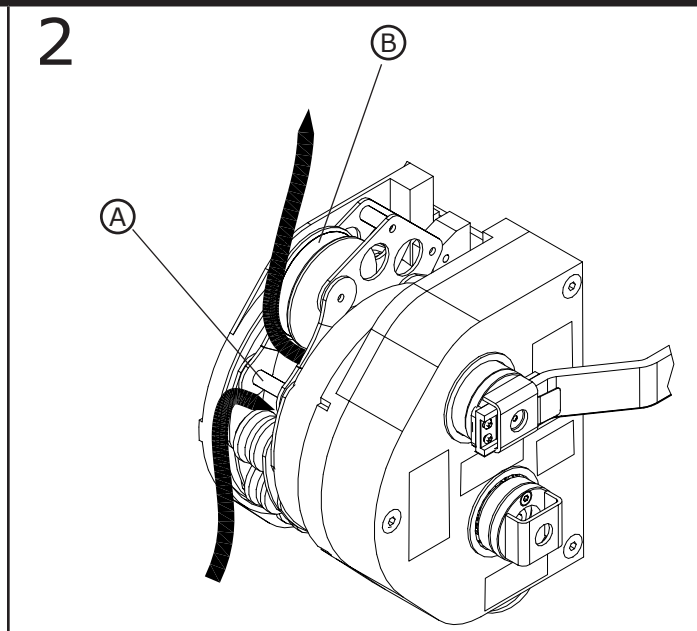
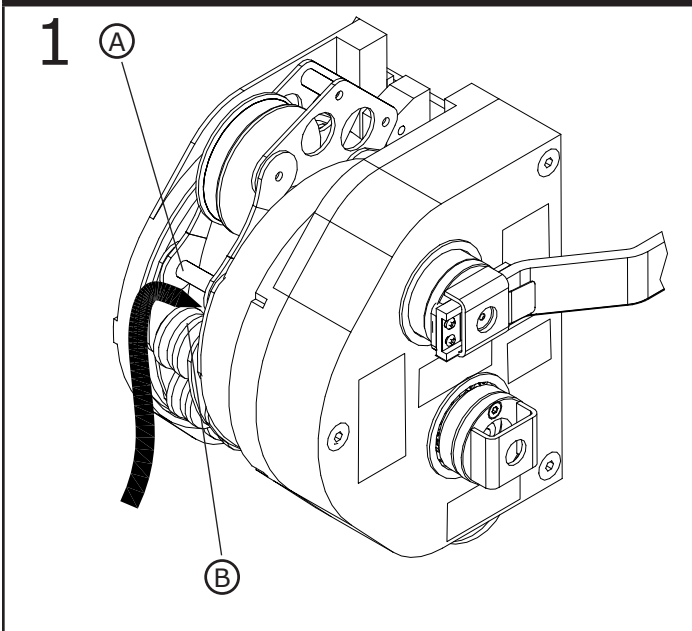
11



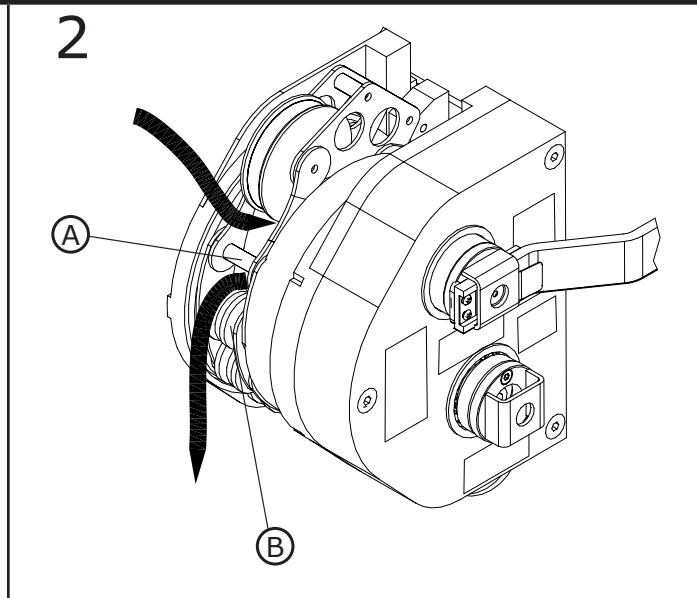
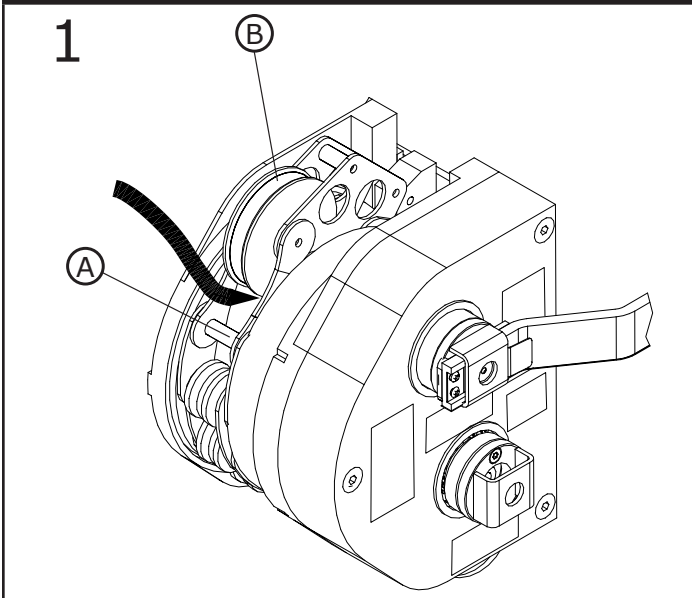
12

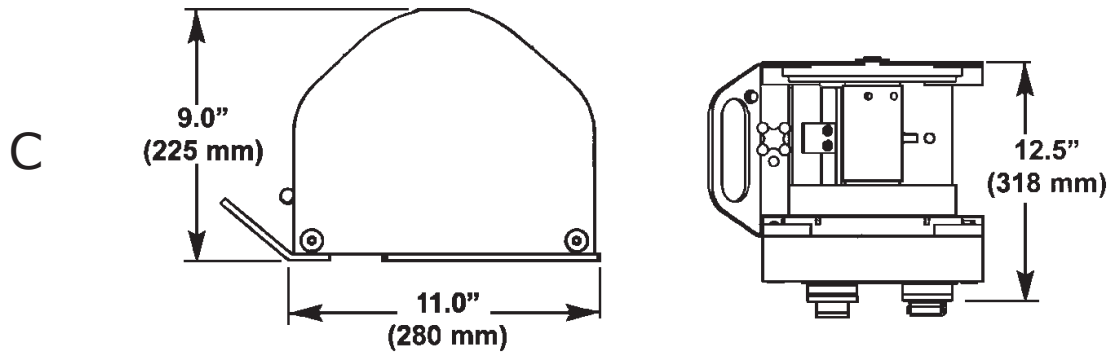
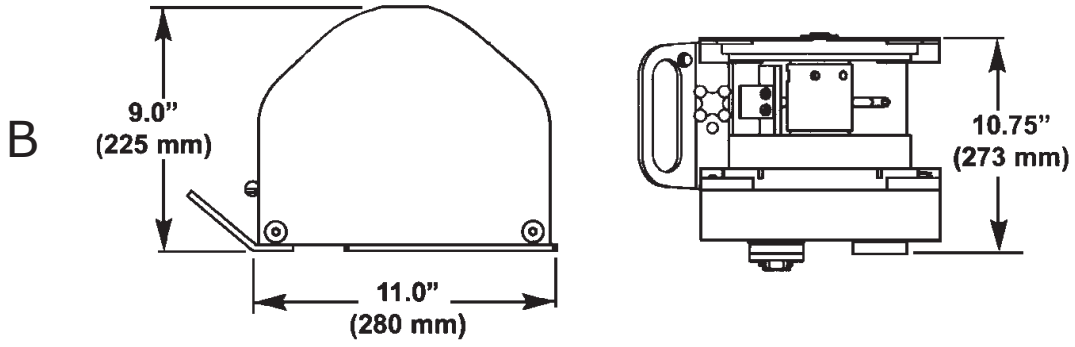
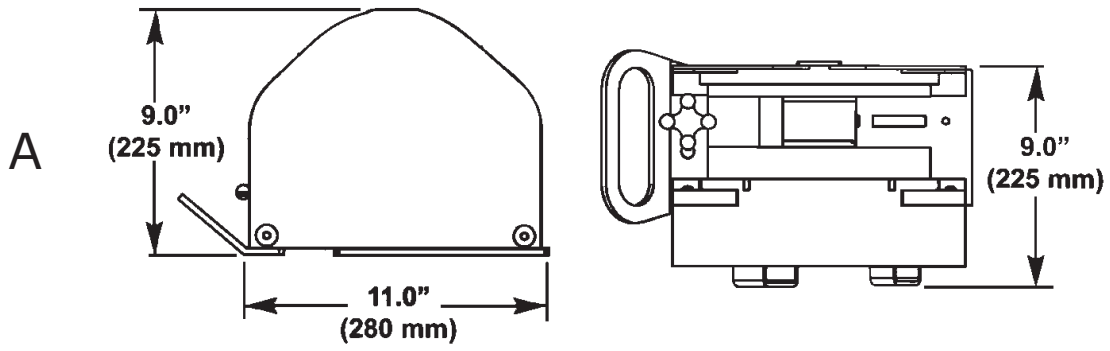


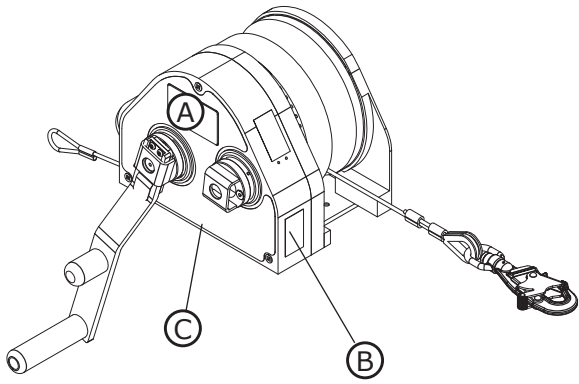
13




14








(A)





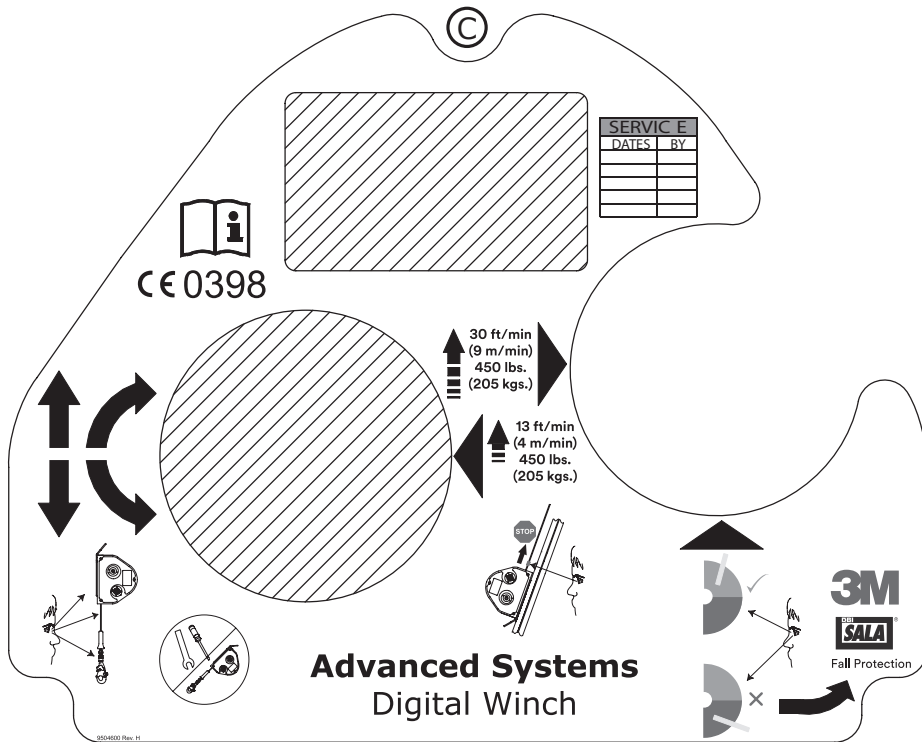
**Fall Protection**

9504547 Rev. J

SERIAL NO.: XXXXXX  
 Numéro de série: XXXXXX

3M.com/FallProtection  
 Red Wing, MN 55066, USA

MFRD(Y/M): Fabriqué(a/ m)	LOT NO.: Numéro de lot:	MODEL NO.: Numéro du modèle:	LENGTH (FT): Longueur(m):



(B)



Fall Protection



↑

10,000



9504599 Rev. G



# SAFETY INFORMATION

Please read, understand, and follow all safety information contained in these instructions, prior to the use of this product. FAILURE TO DO SO COULD RESULT IN SERIOUS INJURY OR DEATH.

These instructions must be provided to the user of the equipment. Retain these instructions for future reference.

## Intended Use:

This product is used as part of a complete Fall Protection system.

Use in any other application including, but not limited to, non-approved material handling, recreational or sports-related activities, or other activities not described in these instructions, is not approved by 3M and could result in serious injury or death.

This product is only to be used by trained users in workplace applications.

## WARNING

This product is used as part of a complete Fall Protection system. All users must be fully trained in the safe installation and operation of their complete Fall Protection system. **Misuse of this product could result in serious injury or death.** For proper selection, operation, installation, maintenance, and service, refer to all instruction manuals and manufacturer recommendations. For more information, see your supervisor or contact 3M Technical Services.

- **To reduce the risks associated with using a Confined Space Entry-Rescue System which, if not avoided, could result in serious injury or death:**
  - Inspect the product before each use and after any fall event, in accordance with the procedures specified in these instructions.
  - If inspection reveals an unsafe or defective condition, remove the product from service immediately and clearly tag it "DO NOT USE". Destroy or repair the product as required by these instructions.
  - Any product that has been subject to fall arrest or impact force must be immediately removed from service. Destroy or repair the product as required by these instructions.
  - Ensure that Fall Protection systems assembled from components made by different manufacturers are compatible and meet all applicable Fall Protection regulations, standards, or requirements. Always consult a Competent or Qualified Person before using these systems.
  - The product must only be installed as described in its instruction manuals. Installations and use outside the scope of these instruction manuals must be approved in writing by 3M.
  - Only connect Fall Protection subsystems to the designated anchorage connection points on the product.
  - Before installing, ensure that the installation methods and the product will not interfere with electric lines, gas lines, or other critical materials or systems.
  - Ensure the product is configured and installed properly for safe operation as described in these instructions.
  - Do not exceed the number of allowable users specified in these instructions.
  - Do not twist, tie, knot, or allow slack in the lifeline.
  - Do not connect to the system while it is being transported or installed.
  - Use caution when installing, using, or moving the product as moving parts may create pinch points.
  - Lockout/tagout procedures must be followed when applicable.
  
- **To reduce the risks associated with working at height which, if not avoided, could result in serious injury or death:**
  - Your health and physical condition must allow you to safely work at height and to withstand all forces associated with a fall arrest event. Consult your doctor if you have questions regarding your ability to use this equipment.
  - Never exceed allowable capacity of your Fall Protection equipment.
  - Never exceed the maximum free fall distance specified for your Fall Protection equipment.
  - Do not use any Fall Protection equipment that fails inspection, or if you have concerns about the use or suitability of the equipment. Contact 3M Technical Services with any questions.
  - Some subsystem and component combinations may interfere with the operation of this equipment. Only use compatible connections. Contact 3M Technical Services before using this equipment in combination with components or subsystems other than those described in these instructions.
  - Use extra precautions when working around moving machinery, electrical hazards, extreme temperatures, chemical hazards, explosive or toxic gases, sharp edges, abrasive surfaces, or below overhead materials that could fall onto you or your Fall Protection equipment.
  - Ensure use of your product is rated for the hazards present in your work environment.
  - Ensure there is sufficient fall clearance when working at height.
  - Never modify or alter your Fall Protection equipment. Only 3M, or persons authorized in writing by 3M, may make repairs to 3M equipment.
  - Before using Fall Protection equipment, ensure a written rescue plan is in place to provide prompt rescue if a fall incident occurs.
  - If a fall incident occurs, immediately seek medical attention for the fallen worker.
  - Only use a full body harness for Fall Arrest applications. Do not use a body belt.
  - Minimize swing falls by working as directly below the anchorage point as possible.
  - A secondary Fall Protection system must be used when training with this product. Trainees must not be exposed to an unintended fall hazard.
  - Always wear appropriate Personal Protective Equipment when installing, using, or inspecting the product.
  - Never work below a suspended load or worker.
  - Always maintain 100% tie-off.

Prior to installation and use of this equipment, record the product identification information from the ID label in the Inspection and Maintenance Log at the back of this manual.

Always ensure that you are using the latest revision of your 3M instruction manual. Visit the 3M website or contact 3M Technical Services for updated instruction manuals.

## PRODUCT DESCRIPTION:

Figure 1 illustrates 3M™ DBI-SALA™ Digital Series Winch. Digital Series Winches are used for work positioning, personnel riding, material handling, climbing protection, or rescue and evacuation. These Winch models are to be used with a 3M Fall Protection tripod, davit arm, or other support structure, and may be used in situations where personnel or materials need to be raised or lowered up to 290 ft. (88 m). Figure 2 illustrates the components of the Digital Winch and Continuous Feed Winch.

**A. Work Positioning:** Applications include suspending a worker in a work seat or harness. A back-up fall arrest system must be attached to the suspended employee.

**B. Personnel Riding:** At the work level, the worker is no longer supported by the Winch. A back-up fall arrest system must be attached to the employee while riding the Winch.

**C. Rescue and Evacuation:** Used to raise or lower an endangered or injured worker or rescue personnel. Applications include permit and non-permit confined space entry work. In rescue or evacuation situations, use back-up fall arrest system.

**D. Climbing Protection:** Used to protect a worker ascending or descending a fixed ladder or similar structure. The use of this Winch should be restricted to structures where other means of climbing protection such as permanently installed ladder safety systems or personal fall arrest systems are infeasible. For this application, the following conditions must be met:

- Ladder or steps are in good condition and allow for straight, continuous climb.
- The worker climbing the ladder is wearing a full body harness and the Winch line is connected to the dorsal (back) D-ring of the harness.
- The winch operator is trained and competent in the operation of the Winch.
- No slack line is allowed to develop when the worker moves up or down the ladder.
- Energy-absorbing lanyards should be connected between the harness dorsal D-ring and the winch line.

**Table 1 – Specifications**

System Specifications:	
<b>Capacity</b>	Maximum working load for this product is one person with a combined maximum weight (including tools, clothes, and equipment) of 450 lb. (204 kg).
<b>Housing Material</b>	Cast Aluminum with powder coat paint finish
<b>Lifeline Material</b>	3/16 in. (5 mm) Stainless Steel 1/4 in. (6 mm) Stainless Steel 3/16 in. (5 mm) Galvanized Steel 1/4 in. (6 mm) Technora Rope 1/2 in. (12 mm) Kernmantle Rope
<b>Mounting Requirements (See Figure 7)</b>	Right Hand Configuration (A): Cable feeds off bottom with a 775 ft-lb. (1,051 N*m) moment load and 3,100 lb*f (14 kN) in direction of pull.  Left Hand Configuration (B): Cable feeds off top with a 2,356 ft-lb. (3,194 N*m) moment load and 3,100 lb*f (14 kN) in direction of pull.

### Digital Winch

Figure 2 Reference	Component
(A)	Winch
(B)	Primary Drive Hub. 4:1 Reduction Ratio
(C)	Secondary Drive Hub. 9:1 Reduction Ratio
(D)	Cable Retainer Spring
(E)	Carrying Handle
(F)	Manual Drive Hubs
(G)	Removable Crank Arm
(H)	Universal Mounting Plate

**Table 1 – Specifications**

<b>Continuous Feed Winch:</b>	
<b>Figure 2 Reference</b>	<b>Component</b>
ⓐ	Removable Crank Handle
ⓑ	Top Pulley
ⓒ	Spacer
ⓓ	Upper Roller

**Dimensions (See Figure 15)**

**A:** 100 Series Winch, Continuous Feed Winch (8514602)

**B:** 200 Series Winch

**C:** 300 Series Winch

<b>Series</b>	<b>Model</b>	<b>Lifeline Length</b>	<b>Cable Type</b>	<b>Weight</b>
<b>A</b>	8518567	60 ft. (18 m)	Galvanized Steel	30.5 lb. (13.8 kg)
	8518565	60 ft. (18 m)	Stainless Steel	30.5 lb. (13.8 kg)
	8518571	60 ft. (18 m)	Technora Rope	27 lb. (12.2 kg)
	8518560	60 ft. (18 m)	Galvanized Steel	30.5 lb. (13.8 kg)
	8518558	60 ft. (18 m)	Stainless Steel	30.5 lb. (13.8 kg)
	8518564	60 ft. (18 m)	Technora Rope	27 lb. (12.2 kg)
	8518568	90 ft. (27 m)	Galvanized Steel	32.5 lb. (14.7 kg)
	8518566	90 ft. (27 m)	Stainless Steel	32.5 lb. (14.7 kg)
	8518561	90 ft. (27 m)	Galvanized Steel	32.5 lb. (14.7 kg)
<b>B</b>	8518559	90 ft. (27 m)	Stainless Steel	32.5 lb. (14.7 kg)
	8518588	140 ft. (42 m)	Galvanized Steel	40 lb. (18.4 kg)
	8518586	140 ft. (42 m)	Stainless Steel	40 lb. (18.4 kg)
	8518581	140 ft. (42 m)	Galvanized Steel	40 lb. (18.4 kg)
	8518579	140 ft. (42 m)	Stainless Steel	40 lb. (18.4 kg)
	8518589	190 ft. (58 m)	Galvanized Steel	43 lb. (19.4 kg)
	8518587	190 ft. (58 m)	Stainless Steel	43 lb. (19.4 kg)
	8518582	190 ft. (58 m)	Galvanized Steel	43 lb. (19.4 kg)
<b>C</b>	8518580	190 ft. (58 m)	Stainless Steel	43 lb. (19.4 kg)
	8518610	240 ft. (73 m)	Galvanized Steel	50 lb. (22.6 kg)
	8518608	240 ft. (73 m)	Stainless Steel	50 lb. (22.6 kg)
	8518603	240 ft. (73 m)	Galvanized Steel	50 lb. (22.6 kg)
	8518601	240 ft. (73 m)	Stainless Steel	50 lb. (22.6 kg)
	8518611	290 ft. (88 m)	Galvanized Steel	53.5 lb. (19.5 kg)
	8518609	290 ft. (88 m)	Stainless Steel	53.5 lb. (19.5 kg)
	8518604	290 ft. (88 m)	Galvanized Steel	53.5 lb. (19.5 kg)
<b>Continuous Feed Winch</b>	8518602	290 ft. (88 m)	Stainless Steel	53.5 lb. (19.5 kg)
	8514602	-----	1/2 in. (12 mm) Kernmantle Rope	32.2 lb. (14.6 kg)

**1 Capacity:** 310 lb. (140 kg) is the capacity range required by ANSI. This product has been tested to a 450 lb. (204 kg) maximum capacity per OSHA.

**2 Qualified Person:** An individual with a recognized degree or professional certificate, and extensive experience in Fall Protection. This individual must be capable of design, analysis, evaluation, and specification in Fall Protection.

## 1.0 PRODUCT APPLICATION

- 1.1 PURPOSE:** 3M Winches secure to 3M Fall Arrest systems and enable these systems to be used for other applications. 3M Winches are designed for use as part of a Work Positioning or Rescue system. Figure 1 illustrates the winch models covered by this instruction manual. Depending on the winch model, system applications may also include material handling, personnel riding, and climbing. For more information on system applications, refer to Table 1.

*Never use 3M Winches as primary fall arrest devices in a Fall Arrest system.*

- 1.2 STANDARDS:** Your product conforms to the national or regional standards identified on the front cover of these instructions. If this product is resold outside the original country of destination, the re-seller must provide these instructions in the language of the country in which the product will be used.
- 1.3 SUPERVISION:** Use of this equipment must be supervised by a Competent Person<sup>1</sup>. Installation of this equipment must be supervised by a Qualified Person<sup>2</sup>.
- 1.4 TRAINING:** This equipment must be installed and used by persons trained in its correct application. These instructions are to be used as part of an employee training program as required by national, regional, or local standards. It is the responsibility of the users and installers of this equipment to ensure they are familiar with these instructions, trained in the correct care and use of this equipment, and are aware of the operating characteristics, application limitations, and consequences of improper use of this equipment.
- 1.5 RESCUE PLAN:** When using this equipment and connecting subsystems, the employer must have a written rescue plan and the means to implement and communicate that plan to users<sup>3</sup>, authorized persons<sup>4</sup>, and rescuers<sup>5</sup>. A trained, on-site rescue team is recommended. Team members should be provided with the equipment and techniques necessary to perform a successful rescue. Training should be provided on a periodic basis to ensure rescuer proficiency. Rescuers should be provided with these instructions. There should be visual contact or means of communication with the person being rescued at all times during the rescue process.
- 1.6 FALL CLEARANCE:** When determining necessary Fall Clearance for a Fall Arrest system, each component of the Fall Arrest system should be taken into account. There must be sufficient Fall Clearance to arrest a fall before the user strikes the ground or an obstruction. For more information on Fall Clearance calculation, refer to the manufacturer instructions included with your connecting subsystem.
- 1.7 SWING FALLS:** Swing Falls occur when the anchorage point is not directly above the point where a fall occurs (see Figure 4). The force of striking an object in a swing fall may cause serious injury or death. Do not permit a swing fall if injury could occur. Minimize swing falls by working as directly below the anchorage point as possible. The Required Fall Clearance (FC) of the user increases as User Work Radius (W) increases, since the total fall distance will be greater than if the user had fallen directly below the anchorage point.
- 1.8 AFTER A FALL:** If this equipment is subjected to fall arrest or impact force, remove it from service immediately. Clearly tag it "DO NOT USE." See Section 5 for more information.

## 2.0 SYSTEM REQUIREMENTS

- 2.1 ANCHORAGE:** Anchorage requirements vary with the Fall Protection application. The mounting structure on which the equipment is placed must meet the Anchorage specifications defined in Table 1.
- 2.2 CAPACITY:** The user capacity of a complete Fall Protection system is limited by its lowest rated maximum capacity component. For example, if your connecting subsystem has a capacity that is less than your harness, you must comply with the capacity requirements of your connecting subsystem. See the manufacturer instructions for each component of your system for capacity requirements.
- 2.3 ENVIRONMENTAL HAZARDS:** Use of this equipment in areas with environmental hazards may require additional precautions to prevent injury to the user or damage to the equipment. Hazards may include, but are not limited to: high heat, chemicals, corrosive environments, high voltage power lines, explosive or toxic gases, moving machinery, sharp edges, or overhead materials that may fall and contact the user or equipment. Contact 3M Technical Services for further clarification.
- 2.4 LIFELINE HAZARDS:** Ensure the lifeline is kept free from all hazards including, but not limited to: entanglement with users, other workers, moving machinery, other surrounding objects, or impact from overhead objects that could fall onto the lifeline or users.
- 2.5 SHARP EDGES:** Avoid using this equipment where system components will be in contact with, or scrape against, sharp edges and abrasive surfaces. All sharp edges and abrasive surfaces must be covered with protective material when contact is unavoidable.

- 2.6 COMPONENT COMPATIBILITY:** 3M equipment is designed for use with 3M-approved components and subsystems only. Substitutions or replacements made with non-approved components or subsystems may jeopardize compatibility of equipment and may affect the safety and reliability of the complete system.
- 2.7 CONNECTOR COMPATIBILITY:** Connectors are considered to be compatible with connecting elements when they have been designed to work together in such a way that their sizes and shapes do not cause their gate mechanisms to inadvertently open regardless of how they become oriented. Contact 3M if you have any questions about compatibility. Connectors (snap hooks and carabiners) must be capable of supporting at least 5,000 lbf (22.2 kN). Connectors must be compatible with the anchorage or other system components. Do not use equipment that is not compatible. Non-compatible connectors may unintentionally disengage (see Figure 5). Connectors must be compatible in size, shape, and strength. If the connecting element to which a snap hook or carabiner attaches is undersized or irregular in shape, a situation could occur where the connecting element applies a force to the gate of the snap hook or carabiner (A). This force may cause the gate to open (B), allowing the snap hook or carabiner to disengage from the connecting point (C).
- 2.8 MAKING CONNECTIONS:** Snap hooks and carabiners used with this equipment must be self-locking. Ensure all connections are compatible in size, shape and strength. Do not use equipment that is not compatible. Ensure all connectors are fully closed and locked.
- 3M connectors (snap hooks and carabiners) are designed to be used only as specified in each product's user's instructions. See Figure 6 for examples of inappropriate connections. Do not connect snap hooks and carabiners:
- A. To a D-ring to which another connector is attached.
  - B. In a manner that would result in a load on the gate. Large throat snap hooks should not be connected to standard size D-rings or similar objects which will result in a load on the gate if the hook or D-ring twists or rotates, unless the snap hook complies is equipped with a 3,600 lbf (16 kN) gate. Check the marking on your snap hook to verify that it is appropriate for your application.
  - C. In a false engagement, where features that protrude from the snap hook or carabiner catch on the anchor, and without visual confirmation seems to be fully engaged to the anchor point.
  - D. To each other.
  - E. Directly to webbing or rope lanyard or tie-back (unless the manufacturer's instructions for both the lanyard and connector specifically allows such a connection).
  - F. To any object which is shaped or dimensioned such that the snap hook or carabiner will not close and lock, or that roll-out could occur.
  - G. In a manner that does not allow the connector to align properly while under load.

### 3.0 INSTALLATION

**3.1 PLANNING:** Plan your fall protection system prior to installation of the Digital Winch. Account for all factors that may affect your safety before, during and after a fall. Consider all requirements, limitations and specifications defined in Section 2 and Table 1.

### 3.2 INSTALLING WINCH TO DAVIT ARM OR TRIPOD:

**WINCH INSTALLATION:** See Figure 8.

Step 1: Install the Winch onto the support structure by inserting the slotted end of the quick Mount Bracket onto the Fixed Pin (A) on the Mounting Bracket.

Step 2: Pivot the Winch upwards to align the holes in the Mounting Brackets.

Step 3: Insert the Locking Detent Pin (B) through the holes securing the Winch to the support structure.

**Wire rope directional sheaves must have a minimum tread diameter of 2.5 inches (6.4 cm).**

### 3.3 OPERATION OF WINCH:

**A. CONNECTING THE WINCH LINE TO A LOAD:** See Figure 10. A: Winch Line, B: Y-Type Lanyard, C: Secondary Lifeline, D: Shoulder D-ring, E: Back D-ring, F: Tie-off Adapter, G: Material Load. For applications that do not require a secondary PFAS, the winch line should be connected to the worker's harness back D-ring. For applications requiring a secondary PFAS, the winch line should be connected to a Y-type lanyard and this lanyard should be attached to the worker's harness shoulder D-rings. The secondary lifeline should be connected to the worker's harness back D-ring. For material handling applications, connect the winch line to the load using a tie-off adapter or other anchoring device.

**B. OPERATING THE DIGITAL WINCH:** Attach the Winch to the support structure as described in section 3.4. Install the Winch Crank Handle into the 9:1 or 4:1 drive hub and push firmly inward until the spring loaded tab on the handle snaps in place (the grip on the handle should face outward).

To remove the Crank Handle from the hub, push down on the spring loaded tab and pull the handle out of the hub.

Feed the line off the Winch Drum by rotating the Crank Handle in the lowering direction (counterclockwise). Apply about 10 lb. (4.5 kg) of tension to the line while feeding it off the drum. Route the line over the support structure pulley system. Refer to the support structure user instructions for cable routing.

**TO RAISE A LOAD:** Rotate the Winch Crank Handle in the raise direction (clockwise). To hold or momentarily suspend the load, stop cranking. The automatic brake will hold the load if handle is released. Do not exceed the rated capacity of 450 lb. (204 kg).

**TO LOWER A LOAD:** Rotate the Winch Crank Handle in the lower direction (counterclockwise). When lowering line without a load, maintain about 10 lb. (4.5 kg) of tension on the line to aid payout and prevent cable entanglement.

**C. IMPACT INDICATOR:** See Figure 11. A: Normal snap hook, B: Impacted snap hook, C: Red band indicating impact load. The Digital Winch is supplied with a connecting swiveling hook that incorporates an impact indicator. This indicator functions if the Winch is severely impact loaded or if the lifting capacity is exceeded by a preset amount. A hook that has been subjected to an impact load will display a red band in the swivel area.

**D. WINCH REMOVAL:** Disconnect the lifeline from the worker's harness or from the material load. Maintain at least a 10 lb. (4.5 kg) load on the lifeline winding the lifeline onto the drum. Retract the lifeline through the support structure. Continue to wind the lifeline onto the drum until the copper ferrules and thimble contact the drum. Disconnect the Winch from the support structure.

**E. POWER DRILL HUB (SEE FIGURE 9):** Optional 8512936 (A) can be attached to raise and lower the user with a power drill (B) with a 1/2 in. (12.7 mm) drive and a max drill RPM of 300 RPM. See IFU 5903667 for more details.

**3.4 LOAD ATTACHMENT:** Pull on the snap hook while cranking the handle counterclockwise to extend lifeline until there is sufficient line to comfortably attach to the worker or load. Perform the attachment away from the entrance so there is no danger that the worker or load will fall. Use two hands when attaching the lifeline; one hand maintaining tension on the lifeline, the other to depress the lock and open the gate on the snap hook. Insert the hook into the harness D-ring. Release the gate and ensure the snap hook is securely locked onto the D-ring.

**3.5 SYSTEM INTEGRITY:** Verify the integrity of the attachment and support system as follows:

**A.** Crank the Winch Handle in the raise direction until the line is snug. The worker should slowly transfer their weight to the harness and lifeline until they are able to lift both feet off the ground.

**B.** Make sure the Winch holds the worker in a stationary position. Also adjust the fit of the harness at this time so that it does not pinch, chafe, or bind.

**Do not use the Winch for lifting or lowering of more than one person. The maximum lifting capacity is 450 lbf (2.0 KN).**

**3.6 LOWERING A WORKER:** The attendant should turn the winch handle counterclockwise to pay out the lifeline. The attendant should keep a gloved hand on the lifeline as it extends to keep a slight tension on the lifeline.

If the line becomes tight or slack during use, communicate with the suspended worker to determine whether there is a problem. Correct before proceeding.

***If the cranking tension eases during lowering, the person or material being lowered has reached a work level or obstruction. Do not continue cranking without communicating with the person or checking the material being lowered. Always keep the cable tension firm. Slack cable could cause a free fall.***

While a worker is suspended, maintain the lifeline angle at a maximum of 5 degrees from vertical. The worker can be seriously injured in a swing fall at more than 5 degrees. If the worker is not suspended and there is no chance of a fall, the attendant may pay out sufficient line [maximum of 2 ft. (0.6 m)] so the worker can work comfortably. The attendant should hold the line so there is always a slight tension. Maintain constant communication between the worker and the attendant.

***The last 10 ft (3 m) of the lifeline has a red marker and should not be unwound from the drum. This length provides the required wrap on the drum to properly anchor the lifeline and ensures that the lifeline wrap direction is correct. Stop extending the lifeline when you see the red marker. The lifeline must wind onto the drum by turning the crank handle in the "raise" (counterclockwise) direction only. Check periodically to see that the lifeline is winding evenly on the drum. Use gloves when handling the lifeline.***

- 3.7 RETRIEVING A WORKER:** Communicate with the worker when preparing to retrieve them and maintain communication throughout the procedure. Place the crank handle in the 4:1 or 9:1 drive hub as appropriate to keep the turning force in a comfortable range. Retract the lifeline and retrieve the worker. Maintain an even retrieval rate. If the Winch Handle turning load suddenly increases, stop and investigate. Determine the cause and correct the problem before continuing. Upon retrieval, support the load or worker and disconnect the lifeline.
- 3.8 INERTIAL BRAKE:** The Digital Winch is designed with a constantly engaged brake that will hold a suspended load whenever the crank handle is released. The brake is composed of three independent pawls. All three pawls would have to become inoperable for the primary brake to fail. The Winch has a secondary inertia brake in case the primary brake should fail. If the primary brake failed, the Winch would free-wheel until the inertia brake engaged and stopped the cable. No more than 3 ft. (1 m) of cable deploys before the inertia brake engages.
- 3.9 LEFT HAND RETRIEVE:** The Digital Winch can be adjusted to work as a left hand retrieve. To make this adjustment, remove the cable retention spring and attach it to the hole on the other end of the mounting plate using the same hardware. Remove the carrying handle by removing the two screws attaching it to the Winch and replace it on the other end of the Winch. Use a removable thread lock such as Loctite 242 to secure all fasteners. The Winch will now mount on mounting brackets with the handle on the left side of the Winch.

***The cable will feed off the top of the drum in the left hand configuration, changing the moment load requirements. See Table 1.***

- 3.10 ROPE INSTALLATION:** The Continuous Feed Winch can accommodate 1/2 in. (12 mm) diameter kernmantle rope of varied lengths. Installation procedures will vary based on whether the rope is terminated with a snap hook on one end.

***After feeding the rope into the Continuous Feed Winch, it may be necessary to apply tension to the free end of the rope while raising a load to fully seat the rope in the Drum.***

***Always ensure there is enough length in the rope to safely operate the Winch without running out of rope length.***

**WITHOUT SNAP HOOK:** Rope without snap hook can be fed into the Continuous Feed Winch from either end depending on the amount of rope used:

**INSTALLING FROM THE BEGINNING OF THE ROPE:** See Figure 13.

Step 1: Secure the Continuous Feed Winch to proper anchorage (tripod leg, davit arm, etc.).

Step 2: Insert the beginning of the rope under the Spacer (13.1A) and between the Drum and Upper Roller (13.1B).

Step 3: Gently guide the rope in the Winch while turning the Crank Handle counter-clockwise. As the rope passes through the Winch (Figure 13.2), ensure the rope exits the Winch over the Spacer (13.2A) and under the large Top Pulley (13.2B). Guiding the rope in front of the Top Pulley may be necessary.

Step 4: Continue cranking the handle and route the rope end over the davit system pulley or cable guide.

**INSTALLING FROM THE END OF THE ROPE:** See Figure 14.

Step 1: Secure the Continuous Feed Winch to proper anchorage (tripod leg, davit arm, etc.).

Step 2: Insert the end of the rope above the Spacer (14.1A) and between the Drum and large Top Pulley (14.1B).

Step 3: Gently guide the rope in the Winch while turning the Crank Handle clockwise. As the rope passes through the Winch (Figure 14.2), ensure the end of the rope exits the Winch under the Spacer (14.2A) and on top of the Upper Roller (14.2B). Guiding the rope in front of the Spacer (14.1A) may be necessary.

Step 4: Continue cranking the Crank Handle until the rope drapes over the Upper Roller and hangs down from the Winch.

- 3.12 INSTALLING ROPE WITH A SNAP HOOK:** When installing rope terminated with a snap hook on one end, the rope should be correctly route over any anchorage structure (e.g., pulley, roller) and the un-terminated end fed through the Continuous Feed Winch in the same manner as for "Installing from the End of the Rope".

**3.13 ROPE TERMINATION:** The free end of the rope must be secured or have a knot tied in it to ensure the free end of the rope does not pass through the Winch during operation.

#### **4.0 USE**

**4.1 BEFORE EACH USE:** Verify that your work area and Fall Protection system meet all criteria defined in these instructions. Verify that a formal Rescue Plan is in place. Inspect the product per the 'User' inspection points defined in the "*Inspection and Maintenance Log*". If inspection reveals an unsafe or defective condition, or if there is any doubt about its condition for safe use, remove the product from service immediately. Clearly tag it "DO NOT USE". See Section 5 for more information.

#### **5.0 INSPECTION**

**5.1 INSPECTION FREQUENCY:** The product shall be inspected by the user before each use and, additionally, by a Competent Person other than the user at intervals of no longer than one year. A higher frequency of equipment use and harsher conditions may require increasing the frequency of Competent Person inspections. The frequency of these inspections should be determined by the Competent Person per the specific conditions of the worksite.

**5.2 INSPECTION PROCEDURES:** Inspect this product per the procedures listed in the "*Inspection and Maintenance Log*". Documentation of each inspection should be maintained by the owner of this equipment. An inspection and maintenance log should be placed near the product or be otherwise easily accessible to users. It is recommended that the product is marked with the date of next or last inspection.

**Every 10,000 cycles or 5 years:** It is recommended that the Winch be serviced by a factory authorized service center or the manufacturer. Extreme working conditions may require increasing the frequency of inspections. Servicing should include but not limited to an intensive inspection and cleaning of all internal and external components. Failure to provide proper service may shorten product life and could endanger performance.

**5.3 DEFECTS:** If inspection reveals an unsafe or defective condition, remove the Winch from service immediately and contact 3M regarding replacement or repair. Do not attempt to repair the Fall Arrest System.

**Authorized Repairs Only:** Only 3M or parties authorized in writing my make repairs to this equipment.

**5.4 PRODUCT LIFE:** The functional life of the Fall Arrest System is determined by work conditions and maintenance. As long as the product passes inspection criteria, it may remain in service.

#### **6.0 MAINTENANCE, SERVICE, and STORAGE**


**6.1 CLEANING:** Periodically clean the Digital Winch's metal components with a soft brush, warm water, and a mild soap solution. Ensure parts are thoroughly rinsed with clean water.

**6.2 SERVICE:** Only 3M or parties authorized in writing by 3M may make repairs to this equipment. If the Digital Winch has been subject to fall force or inspection reveals an unsafe or defective conditions, remove the system from service and contact 3M regarding replacement or repair.

**6.3 STORAGE AND TRANSPORT:** When not in use, store and transport the Winch and associated fall protection equipment in a cool, dry, clean environment out of direct sunlight. Avoid areas where chemical vapors may exist. Thoroughly inspect components after extended storage.

#### **7.0 LABELS AND MARKINGS**

Figure 16 illustrates labels on the Digital Winch. Labels must be replaced if they are not fully legible. Information provided on each label is as follows:

Ⓐ	 Read all instructions. 1) Year and Month Manufactured 2) Lot Number 3) Model Number 4) Length
Ⓑ	10,000 Cycles
Ⓒ	Digital Winch Instruction Label



**Table 2 – Inspection and Maintenance Log**

<b>Inspection Date:</b>		<b>Inspected By:</b>		
<b>Components:</b>	<b>Inspection:</b> (See Section 5 for <i>Inspection Frequency</i> )	<b>User</b>	<b>Competent Person<sup>1</sup></b>	
Digital Winch (Figure 2)	Inspect all screws, bolts and nuts. Ensure they are securely attached and tight. Check to see if any bolts, nuts or other parts are missing, or have been substituted or altered in any way. Inspect covers and housings. Ensure they are free of cracks, dents, corrosion, or other damage.	<input type="checkbox"/>	<input type="checkbox"/>	
Labels (Figure 15)	Verify that all labels are securely attached and are legible.	<input type="checkbox"/>	<input type="checkbox"/>	
Fall Protection Equipment	Additional Fall Protection equipment that is used with the product should be installed and inspected per the manufacturer instructions.	<input type="checkbox"/>	<input type="checkbox"/>	
Crank Handle Screws	Removable Crank Arm must lock positively into each of the drive hubs and be free of cracks, bends, or other damage. Check that each handle on the crank arm is tight. Use Loctite262 or equivalent thread lock on the anchor screws if required to keep them tight. Do not use unless the crank arm is fully functional.	<input type="checkbox"/>	<input type="checkbox"/>	
Connecting Hook	Connecting hook must not be damaged, broken, distorted, or have any sharp edges, burrs, cracks, worn parts, or corrosion. Ensure the connecting hook works properly. Hook gate must move freely and lock upon closing. Hook must swivel freely.	<input type="checkbox"/>	<input type="checkbox"/>	
Brake Wear Indication (Figure 11A)	Inspect the Brake Wear Indicator located in the center of the 4:1 Drive Hub. If the indicator is in the red section, remove the Winch from service and return to 3M or an authorized repair center service.	<input type="checkbox"/>	<input type="checkbox"/>	
Digital Counter (Figure 11B)	If the digital counter exceeds 10,000 cycles from the last factory service recorded in the inspection log, return the winch to 3M or an authorized repair center for service.	<input type="checkbox"/>	<input type="checkbox"/>	
Wire Rope Flaws	Inspect entire length of wire rope assembly starting at the hook. Always wear protective gloves when inspecting wire rope. Inspect for broken wires by passing the wire rope through gloved hands, flexing it every few inches to expose breaks. Inspect for kinks, cuts, crushed burned areas, corrosion, or other damage. Wire rope with serious damage must be removed from service.	<input type="checkbox"/>	<input type="checkbox"/>	
Synthetic Rope	Inspect for concentrated wear, frayed strands, broken yarns, cuts, and abrasions. The line must be free of knots, excessive soiling, heavy paint buildup, and rust staining throughout its length. The line must be free of ultraviolet damage, indicated by discoloration and the presence of splinters and slivers on the rope surface. All of the above factors are known to reduce rope strength. Damaged or questionable rope must be replaced by an authorized service center.	<input type="checkbox"/>	<input type="checkbox"/>	
Rope	Verify the rope is fully seated in the Drum by raising and lowering a load of at least 100 lb. (35 kg). If the rope slips during this operation, apply tension to the free end of the rope while raising the load until slippage is eliminated.	<input type="checkbox"/>	<input type="checkbox"/>	

**1 Competent Person:** One who is capable of identifying existing and predictable hazards in the surroundings or working conditions which are unsanitary, hazardous, or dangerous to employees, and who has authorization to take prompt corrective measures to eliminate them.



Læs alle sikkerhedsoplysninger i denne brugsanvisning og sørg for, at du forstår og følger disse før brug af denne adgangs-/redningsanordning til lukkede rum. UNDLADELSE HERAF KAN MEDFØRE ALVORLIG PERSONSKADE ELLER DØDSFALD.

Disse anvisninger skal udleveres til brugeren af udstyret. Opbevar denne vejledning til senere brug.

## Anvendelsesformål:

Dette adgangs-/redningssystem til lukkede rum er beregnet til brug som en del af et komplet personligt faldsikrings- og/eller redningssystem.

Enhver anden brug end denne, herunder eksempelvis materialehåndtering, rekreative eller sportslige aktiviteter eller andre aktiviteter, der ikke er beskrevet i brugsanvisningen eller installationsvejledningen, er ikke godkendt af 3M og kan medføre alvorlig skade eller død.

Denne anordning må kun benyttes af uddannede brugere til anvendelse på arbejdspladsen.

## ADVARSEL

Denne adgangs/redningsanordning til lukkede rum er en del af et personligt faldsikrings- og redningssystem. Det forventes, at alle brugere er fuldt uddannede i sikker installation og drift af hele systemet. **Misbrug af denne anordning kan medføre alvorlig skade eller død.** Jævnfør denne brugervejledning samt alle producentens anbefalinger, tal med din vejleder eller kontakt 3M's tekniske service vedrørende korrekt valg, drift, installation, vedligeholdelse og servicering.

- **For at reducere risiciene ved at arbejde med en adgangs-/redningsanordning til lukkede rum, som, hvis de ikke undgås, kan medføre alvorlig skade eller død:**
  - Efterse anordningen før hver brug, mindst én gang om året og efter et eventuelt fald. Efterse systemet i overensstemmelse med brugervejledningen.
  - Hvis eftersynet afslører usikre eller defekte tilstande, skal udstyret tages ud af drift og repareres eller udskiftes i overensstemmelse med brugervejledningen.
  - Enhver anordning, som har været udsat for faldstandsning eller kraftpåvirkninger, skal straks tages ud af brug. Se brugervejledningen, eller kontakt 3M Fall Protection.
  - Anordningen må kun installeres som beskrevet i detaljer i installationsvejledningen eller brugervejledningen. Installationer og anvendelse uden for instruktionens område skal godkendes skriftligt af 3M Fall Protection.
  - Det grundlag eller den struktur, som denne anordning fastgøres til, skal være i stand til at modstå de statiske belastninger, der er specificeret for anordningen i de retninger, der er tilladt i brugervejledningerne eller installationsvejledningerne.
  - Overstig ikke antallet af tilladte brugere.
  - Man skal aldrig arbejde under en ophængt last eller arbejder.
  - Vær forsigtig ved installation, brug og flytning af anordningen, da dele i bevægelse kan skabe potentielle klemmepunkter. Der henvises til brugervejledningen.
  - Sørg for at korrekte lockout/tagout-procedurer bliver fulgt som foreskrevet.
  - Tilslut aldrig til et system, før det er positioneret, fuldt samlet, justeret og installeret. Juster ikke systemet, mens en bruger er tilkoblet.
  - Man må kun tilkoble faldsikringsundersystemer til det angivne forankringsforbindelsespunkt på anordningen.
  - Forud for boring eller fastgørelse skal det sikres, at ingen elledninger, gasledninger eller andre kritiske indkapslede systemer kommer i kontakt med boret eller anordningen.
  - Sørg for, at faldsikringssystemer/-undersystemer, der er samlet fra komponenter, der er fremstillet af forskellige fabrikanter, er kompatible og opfylder kravene i relevante standarder, inklusive ANSI Z359 eller andre gældende regulativer, standarder for eller krav til faldbeskyttelse. Opsøg altid en kompetent eller kvalificeret person, før du anvender disse systemer.
- **For at reducere risici i forbindelse med højdearbejde, som, hvis de ikke undgås, kan medføre alvorlig skade eller død:**
  - Sørg for, at dit helbred og din kondition gør dig i stand til sikkert at kunne modstå alle de kræfter, der er forbundet med højdearbejde. Rådfør dig med din læge, hvis du har spørgsmål vedrørende din evne til at bruge dette udstyr.
  - Overstig aldrig den tilladte kapacitet for dit faldsikringsudstyr.
  - Overstig aldrig den maksimale faldafstand fra dit faldsikringsudstyr.
  - Brug ikke faldsikringsudstyr, som ikke virker ved forudgående brug eller planlagte inspektioner, eller hvis du er bekymret for udstyrets brug eller egnethed til det tilsigtede formål. Kontakt 3M's tekniske service med eventuelle spørgsmål.
  - Kombinationer med visse delsystemer og komponenter kan forstyrre driften af dette udstyr. Brug kun kompatible forbindelser. Rådfør dig med 3M, før du bruger dette udstyr sammen med andre komponenter eller delsystemer end dem, der er beskrevet i brugervejledningen.
  - Vær særligt forsigtig, når du arbejder i nærheden af maskiner, som bevæger sig (f.eks. øverste drev på olieplatforme), fare for elektrisk stød, ekstreme temperaturer, kemiske farer, eksplosive eller giftige gasser, skarpe kanter eller under overliggende materialer, som kan falde ned på dig eller faldsikringsudstyret.
  - Brug Arc Flash eller Hot Works (dvs. passende beskyttelses)-anordninger, når du arbejder i miljøer med ekstrem varme.
  - Undgå overflader og genstande, som kan beskadige brugeren eller udstyret.
  - Sørg for tilstrækkelig faldafstand ved højdearbejde.
  - Faldsikringsudstyret må aldrig modificeres eller ændres. Kun 3M eller parter, som 3M skriftligt har bemyndiget må foretage reparationer på udstyret.
  - Før brug af faldsikringsudstyret skal du sørge for at have en redningsplan, som muliggør hurtig redning i tilfælde af fald.
  - Hvis der sker et fald, søges straks lægehjælp for den faldne arbejdstager.
  - Brug ikke et kropsbælte til anvendelser, der involverer faldsikring. Må kun benyttes med komplet kropssele.
  - Svingfald kan minimeres ved så vidt muligt at arbejde lige under forankringspunktet.
  - Hvis der øves med denne anordning, skal der benyttes sekundært faldbeskyttelsesudstyr på en sådan måde, at lærlingen ikke udsættes for utilsigtet faldrisiko.
  - Brug altid passende personlige værnemidler under installation, brug eller inspektion af enheden/systemet.

*Inden udstyret tages i brug, skal produktidentifikationsoplysningerne fra ID-mærkatet noteres i inspektions- og vedligeholdelsesloggen på bagsiden af denne manual.*

*Sørg altid for at bruge den seneste udgave af 3M-brugervejledningen. Besøg 3M-webstedet, eller kontakt 3M's tekniske service for at få opdaterede brugervejledninger.*

## PRODUKTBESKRIVELSE:

Figur 1 illustrerer et spil fra 3M™ DBI-SALA™-serien. Digitale spil bruges til arbejdspositionering, personhejsning, materialehåndtering, klatrebeskyttelse samt redning og evakuering. Disse spilmodeller skal bruges med en 3M-faldsikringstrefod, davidarm eller anden supportstruktur og kan bruges i situationer, hvor en person eller materialer skal hæves eller sænkes op til 88 m (290 ft.). Figur 2 illustrerer komponenterne i et digitalt spil og et spil med kontinuerlig tilførsel.

**A. Arbejdspositionering:** Anvendelser inkluderer ophængning af en person i et arbejdsæde eller en sele. Den ophængte person skal være sluttet til et ekstra faldstandsningssystem.

**B. Personhejsning:** På arbejdsniveau understøttes personen ikke længere af spillet. Den ophængte person skal være sluttet til et ekstra faldstandsningssystem under hejsning med spillet.

**C. Redning og evakuering:** Bruges til at hæve eller sænke en person, som er i fare eller såret, eller redningsfolk. Anvendelser inkluderer adgang til lukkede rum med og uden tilladelse. I rednings- eller evakueringssituationer skal der bruges et ekstra faldstandsningssystem.

**D. Klatrebeskyttelse:** Bruges til at beskytte en person, der klatrer op eller ned ad en fastgjort stige eller en lignende struktur. Brugen af dette spil bør begrænses til strukturer, hvor andre måder at klatre på – f.eks. et permanent installeret stigesikkerhedssystem eller personligt faldsikringssystem – ikke er mulige. Til en sådan anvendelse skal følgende betingelser være opfyldt:

- Stige eller trin er i god stand og giver mulighed for lige, uafbrudt klatring.
- Personen, der klatrer op ad stigen, er iført en helkropssele, og spillets line er forbundet til den bageste D-ring på ryggen af selen.
- Spiloperatøren er uddannet i og kompetent til betjening af spillet.
- Ingen risiko for slap line, når personen bevæger sig op eller ned ad stigen.
- Et energiabsorberende taljereb skal forbindes mellem den bageste D-ring på ryggen af selen og spillets line.

**Table 1 – Specifications**

Systemspecifikationer:	
<b>Kapacitet</b>	Dette produkt har en maksimal arbejdsbelastning på én person med en samlet vægt (inkl. tøj, værktøj, udstyr m.v.) på højst 204 kg. (450 lb).
<b>Husets materiale</b>	Støbt pulverlakeret aluminium
<b>Livlinens materiale</b>	5 mm (3/16") rustfrit stål 6 mm (1/4") rustfrit stål 5 mm (3/16") galvaniseret stål 6 mm (1/4") Technora-reb 12 mm (1/2") Kernmantle-reb
<b>Monteringskrav (se figur 7)</b>	Konfiguration til betjening med højre hånd (A): Kablet tilføres fra bunden med en momentbelastning på 1,051 Nm (775 ft.-lb.) *og 14 kN (3.100 lb*f) i trækretningen.  Konfiguration til betjening med venstre hånd (B): Kablet tilføres fra toppen med en momentbelastning på 3,194 Nm (2.356 ft.-lb.) og 14 kN (3.100 lb*f) i trækretningen.

### Digitalt spil

Reference til figur 2	Komponent
(A)	Spil
(B)	Primært drevnav. Reduktionsforhold 4:1
(C)	Sekundært drevnav. Reduktionsforhold 9:1
(D)	Kabelholderfjeder
(E)	Bærehåndtag
(F)	Manuelle drevnav
(G)	Aftagelig håndsvingsarm
(H)	Universal monteringsplade

**Tabel 1 – Specifikationer**

<b>Spil med kontinuerlig tilførsel:</b>	
<b>Reference til figur 2</b>	<b>Komponent</b>
Ⓝ	Aftageligt håndsving
Ⓚ	Øvre taljeblok
Ⓛ	Afstandsskive
Ⓜ	Øvre valse

**Mål (se figur 15)**

**A:** Spil i 100-serien, spil med kontinuerlig tilførsel (8514602)

**B:** Spil i 200-serien

**C:** Spil i 300-serien

<b>Serie</b>	<b>Model</b>	<b>Livlinelængde</b>	<b>Kabeltype</b>	<b>Vægt</b>
<b>A</b>	8518567	18 m (60 fod)	Galvaniseret stål	13,8 kg (30,5 lb.)
	8518565	18 m (60 fod)	Rustfrit stål	13,8 kg (30,5 lb.)
	8518571	18 m (60 fod)	Technora-reb	12,2 kg (27 lb.)
	8518560	18 m (60 fod)	Galvaniseret stål	13,8 kg (30,5 lb.)
	8518558	18 m (60 fod)	Rustfrit stål	13,8 kg (30,5 lb.)
	8518564	18 m (60 fod)	Technora-reb	12,2 kg (27 lb.)
	8518568	27 m (90 fod)	Galvaniseret stål	14,7 kg (32,5 lb.)
	8518566	27 m (90 fod)	Rustfrit stål	14,7 kg (32,5 lb.)
	8518561	27 m (90 fod)	Galvaniseret stål	14,7 kg (32,5 lb.)
	8518559	27 m (90 fod)	Rustfrit stål	14,7 kg (32,5 lb.)
<b>B</b>	8518588	42 m (140 fod)	Galvaniseret stål	18,4 kg (40 lb.)
	8518586	42 m (140 fod)	Rustfrit stål	18,4 kg (40 lb.)
	8518581	42 m (140 fod)	Galvaniseret stål	18,4 kg (40 lb.)
	8518579	42 m (140 fod)	Rustfrit stål	18,4 kg (40 lb.)
	8518589	58 m (190 ft.)	Galvaniseret stål	19,4 kg (43 lb)
	8518587	58 m (190 ft.)	Rustfrit stål	19,4 kg (43 lb)
	8518582	58 m (190 ft.)	Galvaniseret stål	19,4 kg (43 lb)
	8518580	58 m (190 ft.)	Rustfrit stål	19,4 kg (43 lb)
<b>C</b>	8518610	73 m (240 fod)	Galvaniseret stål	22,6 kg (50 lb.)
	8518608	73 m (240 fod)	Rustfrit stål	22,6 kg (50 lb.)
	8518603	73 m (240 fod)	Galvaniseret stål	22,6 kg (50 lb.)
	8518601	73 m (240 fod)	Rustfrit stål	22,6 kg (50 lb.)
	8518611	88 m (290 fod)	Galvaniseret stål	19,5 kg (53,5 lb.)
	8518609	88 m (290 fod)	Rustfrit stål	19,5 kg (53,5 lb.)
	8518604	88 m (290 fod)	Galvaniseret stål	19,5 kg (53,5 lb.)
	8518602	88 m (290 fod)	Rustfrit stål	19,5 kg (53,5 lb.)
<b>Spil med kontinuerlig tilførsel</b>	8514602	-----	12 mm (1/2") Kernmantle-reb	14,6 kg (32,2 lb.)

**1 Kapacitet:** 140 kg (310 lb.) er kapacitetsintervallet krævet af ANSI. Dette produkt er blevet testet med en maksimal kapacitet på 204 kg (450 lb.) i henhold til OSHA.

**2 Kvalificeret person:** En person med en anerkendt grad eller et anerkendt uddannelsesbevis og med omfattende erfaring med faldsikring. Denne person skal kunne designe, analysere, evaluere og specificere faldsikring.

## 1.0 PRODUKTANVENDELSE

- 1.1 FORMÅL:** 3M-spil er beregnet til 3M-faldsikringsystemer og gør det muligt at bruge disse systemer til andre anvendelser. 3M-spil er designet til brug som en del af et arbejdspositionerings- eller redningssystem. Figur 1 viser spilmodeller, der er omfattet af denne brugsanvisning. Afhængigt af spillets model kan systemanvendelser også omfatte materialehåndtering, personhejsning og klatring. Yderligere oplysninger om systemanvendelser findes i tabel 1.

Brug aldrig 3M-spil som primære faldsikringsenheder i et faldsikringsystem.

- 1.2 STANDARDER:** Dit produkt lever op til de nationale eller regionale standarder, der er angivet på forsiden af denne brugsanvisning. Hvis dette produkt videresælges uden for det oprindelige modtagerland, skal den person, der videresælger, sørge for nærværende vejledning på sproget i det land, hvor produktet skal bruges.
- 1.3 VEJLEDNING:** Anvendelse af dette udstyr skal foregå under vejledning af en kompetent person<sup>1</sup>. Montering af dette udstyr skal udføres under vejledning af en kvalificeret person<sup>2</sup>.
- 1.4 UDDANNELSE:** Dette udstyr skal monteres og anvendes af personer, der har gennemgået træning i korrekt anvendelse af udstyret. Denne vejledning bør anvendes som en del af et medarbejdertræningsprogram som påkrævet af nationale, regionale eller lokale standarder. Installatørerne og brugerne af dette udstyr har ansvaret for at sikre, at de er bekendte med denne vejledning, er trænet i korrekt vedligeholdelse og anvendelse af udstyret samt er bekendte med anvendelseskaraktistika, anvendelsesbegrænsninger og konsekvenserne af forkert anvendelse af udstyret.
- 1.5 REDNINGSPLAN:** Når dette udstyr og tilsluttende undersystemer anvendes, skal arbejdsgiveren have en skriftlig redningsplan og midlerne til at implementere og kommunikere planen til brugere<sup>3</sup>, autoriserede personer<sup>4</sup> og reddere<sup>5</sup>. Det anbefales at have et redningshold på stedet. Medlemmer af redningsteamet skal forsynes med det nødvendige udstyr og kende til de teknikker, der er nødvendige for at gennemføre en vellykket redning. Undervisning skal gennemføres med jævne mellemrum for at sikre, at redderne har de fornødne færdigheder. Redningsfolk skal have adgang til denne vejledning. Under hele redningsforløbet skal man have visuel kontakt eller en anden form for kommunikation med personen, der reddes.
- 1.6 FALDAFSTAND:** Ved bestemmelse af den nødvendige faldafstand til et faldsikringsystem skal der tages højde for hver enkelt komponent i faldsikringsystemet. Der skal være tilstrækkelig faldafstand under brugeren, til at et evt. fald standses, før brugeren rammer jorden eller en forhindring. Yderligere oplysninger om beregning af faldafstand findes i producentens anvisninger, der følger med dine tilsluttende undersystemer.
- 1.7 SVINGFALD:** Svingfald sker, når forankringspunktet ikke befinder sig umiddelbart over punktet, hvor faldet sker (se figur 4). Den kraft, der udøves, når en genstand rammes i et svingfald, kan forårsage alvorlig personskade eller død. Tillad ikke muligheden for svingfald, hvis det kan medføre personskade. Svingfald kan minimeres ved så vidt muligt at arbejde lige under forankringspunktet. Brugers påkrævede faldafstand (FC på figur 3) øges, når brugers arbejdsradius (W på figur 3) øges, da den samlede faldafstand vil være større, end hvis brugeren var faldet direkte under forankringspunktet.
- 1.8 EFTER ET FALD:** Hvis udstyret udsættes for faldstandsning eller kraftpåvirkninger fra stød, skal det tages ud af drift med det samme. Mærk det tydeligt "MÅ IKKE ANVENDES". Se afsnit 5 for at få flere oplysninger.

## 2.0 SYSTEMKRAV

- 2.1 FORANKRING:** Kravene til forankring varierer alt efter faldsikringsanvendelsen. Monteringsstrukturen, hvorpå udstyret er placeret, skal overholde specifikationerne for forankringspunkt i tabel 1.
- 2.2 KAPACITET:** Brugerkapaciteten for et komplet faldsikringsystem er begrænset til den maksimale kapacitet for den systemkomponent, som har den laveste nominelle kapacitet. For eksempel hvis dit tilsluttende undersystem har en kapacitet, der er mindre end din sele, skal du overholde kapacitetskravene, der er angivet for dit tilsluttende undersystem. Kapacitetskrav findes i producentens anvisninger for de enkelte komponenter i dit system.
- 2.3 MILJØFARER:** Brug af dette udstyr i områder med miljøfarer kan kræve yderligere sikkerhedsforanstaltninger for at undgå personskade eller beskadigelse af udstyret. Faremomenter kan omfatte, men er ikke begrænset til: Høj varme, kemikalier, korrosive miljøer, højspændingsledninger, eksplosive eller giftige gasser, kørende maskineri, skarpe kanter eller overliggende materialer, som kan falde ned og ramme brugeren eller udstyret. Du kan få flere oplysninger hos 3M's tekniske service.
- 2.4 LIVLINEFARE:** Sørg for, at livlinen holdes fri for alle farer, inklusive, men ikke begrænset til: Sammenfiltring med brugere, andre personer, kørende maskineri, andre genstande i omgivelserne eller stød fra genstande ovenover arbejdsstedet, der kan falde ned på livlinen eller brugeren.

**1 Kompetent person:** En person, som er i stand til at identificere eksisterende og forudsigelige risici i omgivelserne eller arbejdsbetingelser, som er usunde, skadelige eller farlige for medarbejderne, og som har bemyndigelse til at træffe øjeblikkelige korrigerende forholdsregler for at eliminere dem.

**2 Kvalificeret person:** En person med en anerkendt uddannelse, et anerkendt certifikat eller professionel status, eller som ved omfattende viden, uddannelse og erfaring har påvist sin evne til at løse problemer i forbindelse med faldsikring og redningssystemer i det omfang, der kræves af gældende nationale, regionale og lokale bestemmelser.

**3 Bruger:** En person, der udfører aktiviteter under beskyttelse af et faldsikringsystem.

**4 Autoriseret person:** En person, der er udpeget af arbejdsgiveren til at udføre opgaver på et sted, hvor personen vil være udsat for en faldrisiko.

**5 Redder:** En person, der anvender redningssystemet til at udføre en assisteret undsætning.

- 2.5 SKARPE KANTER:** Undgå at bruge dette udstyr på steder, hvor systemets komponenter vil komme i kontakt med eller skrabe mod skarpe kanter og slibende overfaldere. Alle skarpe kanter og slibende overflader skal dækkes til med beskyttende materiale, når kontakt ikke kan undgås.
- 2.6 KOMPONENTKOMPATIBILITET:** 3M-udstyr er kun beregnet til brug med 3M-godkendte komponenter og delssystemer. Erstatninger eller udskiftninger med ikke-godkendte komponenter eller delssystemer kan bringe udstyrets kompatibilitet i fare og kan påvirke det komplette systems sikkerhed og pålidelighed.
- 2.7 KONNEKTORKOMPATIBILITET:** Konnektorer betragtes som kompatible med tilslutningselementer, når de er konstrueret til at fungere sammen på en sådan måde, at størrelserne og formerne ikke får deres ledmekanismer til utilsigtet at åbne sig, uanset hvordan de bliver vendt. Kontakt 3M, hvis du har spørgsmål vedrørende kompatibilitet.
- Konnektorer (snapkroge og karabinhager) skal kunne klare en belastning på mindst 22,2 kN (5.000 lbf). Konnektorer skal være kompatible med forankringen og andre systemkomponenter. Anvend ikke udstyr, der ikke er kompatibelt. Ikke-kompatible konnektorer kan utilsigtet blive adskilt (se figur 5). Konnektorer skal være kompatible med hensyn til størrelse, form og styrke. Hvis tilslutningselementet, som en snapkrog eller karabinhage er fastgjort til, er for lille eller har en uregelmæssig form, kan der opstå en situation, hvor tilslutningselementet belaster snapkrogens eller karabinhagens led (A). Denne belastning kan medføre, at leddet åbnes (B), så snapkrogen eller karabinhagen frigøres fra tilslutningspunktet (C).
- 2.8 ETABLERING AF SAMMENKOBLINGER:** Snapkroge og karabinhager anvendt med dette udstyr skal være selvlåsende. Sørg for, at alle forbindelser er kompatible i størrelse, form og styrke. Anvend ikke udstyr, der ikke er kompatibelt. Sørg for, at alle konnektorer er helt lukkede og låste.
- 3M-konnektorer (snapkroge og karabinhager) er udelukkende konstrueret til brug som specificeret i hvert produkts brugsanvisning. Se figur 6 for eksempler på forkerte sammenslutninger. Tilslut ikke snapkroge og karabinhager:
- Til en D-ring, som en anden konnektor er fastgjort til.
  - På en måde, som vil medføre belastning på leddet. Store snapkroge med halsåbning bør ikke forbindes til en D-ring i standardstørrelse eller til lignende genstande, der vil medføre en belastning på leddet, hvis krogen eller D-ringen vrides eller drejes, medmindre snapkrogen er udrustet med en 16 kN (3.600 lbf) port. Kontrollér mærkatet på din snapkrog for at bekræfte, at den er egnet til din anvendelse.
  - På en forkert måde, hvor dele, som stikker ud fra snapkrogen eller karabinhagen, griber fat i forankringen, og uden visuel bekræftelse synes at være korrekt fastgjort til forankringspunktet.
  - Til hinanden.
  - Direkte til selen, taljerebet eller forankringslinen (medmindre producentens vejledning for både taljereb og konnektor specifikt tillader en sådan tilslutning).
  - Til en genstand med en form eller størrelse, som gør, at snapkrogen eller karabinhagen ikke vil lukke og låse, eller som kan få linen til at rulle sig ud.
  - På en måde, som forhindrer konnektoren i at flugte korrekt under belastning.

### 3.0 MONTERING

**3.1 PLANLÆGNING:** Planlæg dit faldsikringssystem, før det digitale spil monteres. Tag højde for alle faktorer, der kan påvirke din sikkerhed inden, under og efter et eventuelt fald. Overvej alle krav, begrænsninger og specifikationer, der er angivet i afsnit 2 og tabel 1.

### 3.2 MONTERING AF SPIL PÅ DAVIDARM ELLER TREFOD:

**MONTERING AF SPIL:** Se figur 8.

Trin 1: Monter spillet på supportstrukturen ved at indsætte den åbne ende af hurtigmonteringsbeslaget på den faste stift (A) på monteringsbeslaget.

Trin 2: Drej spillet opad, så monteringsbeslagenes huller flugter med hinanden.

Trin 3: Indsæt låsestiften (B) gennem hullerne for at fastgøre spillet til supportstrukturen.

**Stålkablets retningsskiver skal have en slidbanediameter på mindst 6,4 cm (2,5").**

### 3.3 BETJENING AF SPILLET:

- A. TILSLUTNING AF SPILLET'S LINE TIL EN LAST:** Se Figur 10. A: Spilline, B: Taljereb, Y-type, C: Sekundær livline, D: D-ring på skulder, E: D-ring på ryg, F: Afsnøringsadapter, G: Materiel last. Til anvendelser, der ikke kræver en sekundær PFAS, skal spillinen forbindes til personens D-ring på ryggen. Til anvendelser, der kræver en sekundær PFAS, skal spillinen forbindes med et taljereb af Y-typen, og dette taljereb skal fastgøres til D-ringene på personens helkropssele. Den sekundære livline skal forbindes til D-ringen på personens helkropssele. Til anvendelser med materialehåndtering skal spillinen forbindes til lasten ved hjælp af en fastgørelsesadapter eller anden forankringsenhed.
- B. BETJENING AF DET DIGITALE SPIL:** Fastgør spillet til supportstrukturen som beskrevet i afsnit 3.4. Monter spillets håndsving i 9:1- eller 4:1-drevnavet, og skub det fast indad, indtil den fjederbelastede tap på håndtaget klikker på plads (grebet på håndtaget skal vende udad).  
For at fjerne håndsvinget fra navet skal du trykke ned på den fjederbelastede tap og trække håndtaget ud af navet. Tilføj line fra spillets tromle ved at dreje håndsvinget i nedadgående retningen (mod uret). Påfør en spænding på ca. 4,5 kg (10 lb.) på linen, mens du tilføjer den fra tromlen. Før linen over taljebloksystemets supportstruktur. Oplysninger om kabelføring findes i brugervejledningen til supportstrukturen.  
**SÅDAN HÆVES EN LAST:** Drej spillets håndsving i opadgående retning (med uret). For at holde lasten stille eller midlertidigt ophænge lasten skal du stoppe med at dreje på håndsvinget. Den automatiske bremse vil holde lasten i den aktuelle position, hvis håndtaget slippes. Overskrid ikke den nominelle kapacitet på 204 kg (450 lb.).  
**SÅDAN SÆNKES EN LAST:** Drej spillets håndsving i nedadgående retning (mod uret). Når du sænker linen uden en last, skal du opretholde en spænding på ca. 4,5 kg (10 lb.) på linen for at lette udrulningen og forhindre kabelindvikling.
- C. BELASTNINGSINDIKATOR:** Se Figur 11. A: Normal snapkrog, B: Belastet snapkrog, C: Rødt bånd, der angiver kraftig belastning. Det digitale spil leveres med en tilslutningsdrejekrog med en integreret belastningsindikator. Denne indikator agerer, hvis spillet stødbelastes kraftigt, eller hvis løftekapaciteten overskrides med en forudindstillet mængde. En krog, der har været udsat for en stødbelastning, vil indikere dette med et rødt bånd i det drejelige område.
- D. SÅDAN FJERNES SPILLET:** Kobl livlinen fra personens sele eller fra lasten. Oprethold en belastning på mindst 4,5 kg (10 lb.) på livlinen, når livlinen rulles på tromlen. Træk livlinen tilbage gennem supportstrukturen. Fortsæt med at rulle livline på tromlen, indtil kobberferrulerne og bøsningen kommer i kontakt med tromlen. Kobl spillet fra supportstrukturen.
- E. NAV TIL BOREMASKINE (SE FIGUR 9):** En valgfri 8512936 (A) kan tilkobles, så brugeren kan hæves og sænkes ved hjælp af en boremaskine (B) med et drev på 12,7 mm (1/2") og en borehastighed på maks. 300 omdr./min. Se IFU 5903667 for at få yderligere oplysninger.

**3.4 FASTGØRELSE AF LAST:** Træk i snapkrogen, mens du drejer håndtaget mod uret for at forlænge livlinen, indtil der er tilstrækkelig line til at kunne fastgøre personen eller lasten komfortabelt. Udfør fastgørelsen i sikker afstand til indgangen, så der ikke er nogen fare for, at personen eller lasten falder ned. Brug to hænder, når du fastgør livlinen – den ene hånd opretholder spænding på livlinen, og den anden trykker låsen ned og åbner snapkrogens led. Hægt krogen i selens D-ring. Slip leddet, og sørg for, at snapkrogen sidder forsvarligt fast i D-ringen.

**3.5 SYSTEMINTEGRITET:** Bekræft integriteten af fastgørelsen og supportsystemet således:

- A.** Drej spillets håndtag i opadgående retning, indtil linen er udspændt. Personen skal langsomt overføre sin vægt til selen og livlinen, indtil vedkommende kan løfte begge fødder fra jorden.
- B.** Sørg for, at spillet holder personen i en stationær position. Juster også selens pasform på dette tidspunkt, så den ikke klemmer, gnaver eller binder.

**Brug ikke spillet til at hæve eller sænke mere end én person ad gangen. Den maksimale løftekapacitet er 2,0 kN (450 lbf).**

**3.6 SÆNKNING AF EN PERSON:** Operatøren skal dreje spillets håndtag mod uret for at rulle livlinen ud. Operatøren skal holde en hånd med handske på livlinen, når den udrulles, så en let spænding på livlinen opretholdes.

Hvis linen bliver for udspændt eller slap under brug, skal operatøren kommunikere med den ophængte person for at afgøre, om der er et problem. Dette skal korrigeres før operatøren fortsætter.



**Hvis kablet ikke længere er stramt under nedsænkningen, skyldes det, at personen eller materialet, der sænkes ned, er nået til et arbejdsniveau eller en forhindring. Fortsæt ikke med at dreje på håndsvinget uden at kommunikere med personen eller kontrollere lasten, der sænkes ned. Hold altid kabelspændingen intakt. Et slapt kabel kan medføre et frit fald.**

Mens en person er ophængt, må livlinens vinkel være højst 5 grader i forhold til lodret. Personen kan komme alvorligt til skade i et svingende fald, hvor livlinen har en vinkel på mere end 5 grader. Hvis personen ikke er ophængt, og der ikke er nogen risiko for at falde, må operatøren udrulle tilstrækkelig line [maks. 0,6 m (2 ft.)], til at personen kan arbejde komfortabelt. Operatøren skal holde fast i linen, så der altid er en lille spænding. Oprethold konstant kommunikation mellem personen og operatøren.

**De sidste 10 m (3 ft) af livlinen har en rød markør og må ikke rulles af tromlen. Denne længde giver den nødvendige oprulning på tromlen, så livlinen er korrekt forankret og sikrer, at livlinen rulles omkring tromlen i den rigtige retning. Stop med at forlænge livlinen, når du ser den røde markør. Livlinen skal rulles op på tromlen ved kun at dreje håndsvinget i "hæve"-retningen (mod uret). Kontrollér med jævne mellemrum, at livlinen rulles jævnt på tromlen. Bær handsker, når du håndterer livlinen.**

- 3.7 HENTNING AF EN PERSON:** Kommuniker med personen, mens der gøres forberedelser til at hente vedkommende op, og oprethold kommunikationen under hele proceduren. Anbring håndsvinget i 4:1- eller 9:1-drevnavet efter behov for at holde drejekraften inden for et komfortabelt område. Rul livlinen ind for at hente personen. Oprethold en jævn hentningshastighed. Hvis drejebelastningen på spillets håndtag pludselig øges, skal du stoppe og undersøge, hvad det skyldes. Find årsagen, og ret problemet, før du fortsætter. Efter endt hentning skal du støtte lasten eller personen og frakoble livlinen.
- 3.8 INERTIBREMSE:** Det digitale spil er designet med en konstant aktiveret bremse, der fastholder en ophængt last eller person, hvis eller når håndsvinget slippes. Bremsen består af tre uafhængige spærhager. Alle tre spærhager skulle blive ubrugelige, før den primære bremse ville svigte. Spillet har en sekundær inertibremse, hvis den primære bremse skulle svigte. Hvis den primære bremse skulle svigte, kører spillet på frihjul, indtil inertibremsen aktiveres og stopper kablet. Der frigives højst 1 m (3 ft.) kabel, før inertibremsen aktiveres.
- 3.9 HENTNING MED VENSTRE HÅND:** Det digitale spil kan justeres, så hentning kan foretages med venstre hånd. For at foretage denne justering skal du fjerne kabelfastholdelsesfjederen og fastgøre den i hullet i den anden ende af monteringspladen ved hjælp af de samme skruer. Fjern bærehåndtaget ved at fjerne de to skruer, der fastgør det til spillet, og indsæt det i den anden ende af spillet. Brug et gevindlåsemediel, der kan fjernes igen, f.eks. Loctite 242 til at fiksere alle fastgørelsesanordninger. Spillet er nu monteret på monteringsbeslaget med håndtaget på venstre side af spillet.

**Kablet føres fra toppen af tromlen i konfigurationen til venstrehåndsbetjening, hvilket bevirker, at momentbelastningskravene ændres. Se tabel 1.**

- 3.10 MONTERING AF REB:** Spil med kontinuerlig tilførsel kan rumme Kernmantle-reb med en diameter på 12 mm (1/2"), med forskellige længder. Monteringsprocedurerne varierer afhængigt af, om rebet afsluttes med en snapkrog i den ene ende.

**Efter at have ført rebet ind i spillet med kontinuerlig tilførsel, kan det være nødvendigt at påføre spænding på rebets frie ende, mens du hæver en last, så rebet placeres korrekt i tromlen.**

**Sørg altid for, at rebet er langt nok til at kunne betjene spillet sikkert uden at løbe tør for reblængde.**

**UDEN SNAPKROG:** Reb uden snapkrog kan føres ind i spillet med kontinuerlig tilførsel fra begge ender afhængigt af den anvendte reblængde:

**MONTERING FRA STARTEN AF REBET:** Se Figur 13.

Trin 1: Fastgør spillet med kontinuerlig tilførsel til en korrekt forankringsanordning (trefod, davidarm etc.).

Trin 2: Indsæt starten af rebet under afstandsskiven (13.1A) og mellem tromlen og den øvre rulle (13.1B).

Trin 3: Før rebet forsigtigt ind i spillet, mens du drejer håndsvinget mod uret. Når rebet passerer gennem spillet (figur 13.2), skal du sikre dig, at rebet kommer ud af spillet over afstandsskiven (13.2A) og under den store øvre taljeblok (13.2B). Det kan være nødvendigt at føre rebet foran den øvre taljeblok.

Trin 4: Fortsæt med at dreje på håndtaget, og før rebenden over davidsystemets taljeblok eller kabelstyret.

**MONTERING FRA REBETS ENDE:** Se Figur 14.

Trin 1: Fastgør spillet med kontinuerlig tilførsel til en korrekt forankringsanordning (trefod, davidarm etc.).

Trin 2: Indsæt enden af rebet over afstandsskiven (14.1A) og mellem tromlen og den store øvre taljeblok (14.1B).

Trin 3: Før rebet forsigtigt ind i spillet, mens du drejer håndsvinget med uret. Når rebet passerer gennem spillet (figur 14.2), skal du sikre dig, at rebets ende kommer ud af spillet under afstandsskiven (14.2A) og oven på den øverste rulle (14.2B). Det kan være nødvendigt at føre rebet foran afstandsskiven (14.1A).

Trin 4: Fortsæt med at dreje håndsvinget, indtil rebet hænger ud over den øvre rulle og hænger ned fra spillet.

**3.12 MONTERING AF REB MED EN SNAPKROG:** Ved montering af reb, der ender i en snapkrog i den ene ende, skal rebet føres korrekt over enhver forankringsstruktur (f.eks. taljeblok, rulle) og den ikke-afsluttede ende skal føres gennem spillet med kontinuerlig tilførsel på samme måde som ved "Montering fra rebets ende".

**3.13 REBENDE:** Den frie ende af rebet skal være fastgjort eller have en knude bundet i enden for at sikre, at rebets frie ende ikke passerer gennem spillet under drift.

#### 4.0 BRUG

**4.1 FØR HVER IBRUGTAGNING:** Kontrollér, at dit arbejdsområde og faldsikringssystem opfylder alle kriterier, der er angivet i denne brugervejledning. Sørg for, at der forefindes en formaliseret redningsplan. Inspicer produktet i henhold til inspektionspunkterne under "Bruger", der er defineret i "Inspektions- og vedligeholdelsesloggen". Hvis inspektionen påviser en usikker eller defekt tilstand, eller hvis der er tvivl om, hvorvidt produktet er intakt eller sikkert at bruge, skal det omgående tages ud af drift. Mærk det tydeligt "MÅ IKKE ANVENDES". Se afsnit 5 for at få flere oplysninger.

#### 5.0 INSPEKTION

**5.1 INSPEKTIONSHYPPIGHED:** Produktet skal inspiceres af brugeren før hver anvendelse og desuden af en anden kompetent person end brugeren mindst én gang om året. Hyppigere brug af udstyret og udfordrende anvendelsesforhold kan kræve hyppigere inspektioner foretaget af en kompetent person. Hyppigheden af disse inspektioner skal fastsættes af den kompetente person efter hensyntagen til arbejdsstedets specifikke forhold.

**5.2 INSPEKTIONSPROCEDURER:** Efterse dette produkt i henhold til procedurerne anført i "Inspektions- og vedligeholdelseslog". Ejeren af dette udstyr skal føre dokumentation for hver inspektion. En inspektions- og vedligeholdelseslog skal placeres i nærheden af produktet eller på anden vis være let tilgængelig for brugerne. Det anbefales, at produktet markeres med datoen for næste eller sidste inspektion.

**Hver 10.000 cyklusser eller hvert 5. år:** Det anbefales, at spillet serviceres af et fabriksgodkendt servicecenter eller af producenten. Ekstreme arbejdsforhold nødvendiggør hyppigere serviceeftersyn. Serviceeftersyn skal omfatte, men ikke være begrænset til, en grundig undersøgelse af alle udvendige og alle indvendige komponenter. Hvis der ikke udføres korrekt serviceeftersyn kan produktets levetid forkortes og ydelsen bringes i forskriftsmæssig fare.

**5.3 DEFEKTER:** Hvis en inspektion afslører usikre eller mangelfulde forhold, skal spillet omgående tages ud af drift, og 3M skal kontaktes med henblik på udskiftning eller reparation. Prøv ikke på at reparere faldstandsningssystemet.

**Der må kun udføres autoriserede reparationer:** Det er kun 3M eller parter med skriftlig bemyndigelse, der må foretage reparationer på dette udstyr.

**5.4 PRODUKTETS BRUGSLEVETID:** Den driftsmæssige levetid for faldstandsningssystemer bestemmes af arbejdsbetingelserne og den konkrete vedligeholdelse. Så længe produktet godkendes ved inspektionen, må det fortsat bruges.

#### 6.0 VEDLIGEHOLDELSE, SERVICE og OPBEVARING


**6.1 RENGØRING:** Rens med jævne mellemrum det digitale spils metalkomponenter med en blød børste og varmt vand med en mild sæbeopløsning. Sørg for, at delene skylles grundigt med rent vand.

**6.2 SERVICE:** Kun 3M eller parter med skriftlig bemyndigelse fra 3M må foretage reparationer på dette udstyr. Hvis det digitale spil har været aktiveret i forbindelse med et fald, eller en inspektion afslører usikre eller fejlbehæftede forhold, skal systemet omgående tages ud af drift, og 3M skal kontaktes med henblik på udskiftning eller reparation.

**6.3 OPBEVARING OG TRANSPORT:** Når det ikke er i brug, skal spillet og det tilhørende faldsikringsudstyr transporteres til og opbevares på et tørt, køligt og rent sted, hvor det ikke udsættes for direkte sollys. Undgå steder, hvor der kan forekomme kemikaliedampe. Inspicer komponenterne grundigt efter længere tids opbevaring.

#### 7.0 MÆRKATER OG MÆRKER

Figur 16 viser mærkaterne på det digitale spil. Mærkater skal udskiftes, hvis de ikke kan læses. Hver mærkat viser følgende oplysninger:

(A)	 Læs alle instruktioner. 1) Fremstillingsår og -måned 2) Partinummer 3) Modelnummer 4) Højde
(B)	10.000 cyklusser
(C)	Instruktionsmærkat til digitalt spil

**Tabel 2 – Inspektions- og vedligeholdelseslog**

Inspektionsdato:		Inspiceret af:		
Komponenter:	Inspektion: (Få oplysninger om <i>inspektionshyppighed</i> i afsnit 5)	Bruger	Kompetent person <sup>1</sup>	
Digitalt spil (figur 2)	Efterse alle skruer, bolte og møtrikker. Sørg for, at de er sikkert fastgjort og sidder stramt. Kontrollér for at se om nogle bolte, møtrikker eller andre dele mangler eller på nogen måde er blevet udskiftet eller ændret. Efterse dæksler og huse. Kontrollér, at de ikke har nogen revner, buler, korrosion eller anden skade.	<input type="checkbox"/>	<input type="checkbox"/>	
Mærkatere (figur 15)	Kontrollér, at alle mærkatere er godt fastgjort samt læselige.	<input type="checkbox"/>	<input type="checkbox"/>	
Faldsikringsudstyr	Yderligere faldsikringsudstyr, der bruges sammen med produktet, skal monteres og inspiceres i henhold til producentens anvisninger.	<input type="checkbox"/>	<input type="checkbox"/>	
Skruer i håndsvinget	Den aftagelige håndsvingsarm skal låse sig sikkert fast i hvert af drivnavene og må ikke have revner, bøjninger eller andre skader. Kontrollér, at hvert håndtag på håndsvingsarmen er spændt godt fast. Brug Loctite 262 eller et tilsvarende gevindlåsemiddel på ankerskruerne, hvis det er nødvendigt for at holde dem tætte. Må ikke bruges, medmindre håndsvingsarmen er fuldt funktionel.	<input type="checkbox"/>	<input type="checkbox"/>	
Tilslutningskrog	Tilslutningskrogen må ikke være beskadiget, knækket, forvredet eller have nogen skarpe kanter, grater, sprækker, slidte dele eller korrosion. Kontrollér, at tilslutningskrogen fungerer korrekt. Krogledet skal kunne bevæge sig frit og låses, når det lukkes til. Krogen skal kunne dreje frit.	<input type="checkbox"/>	<input type="checkbox"/>	
Bremseslidindikation (figur 11A)	Undersøg bremseslidindikatoren, der sidder i midten af 4:1-drevnavet. Hvis indikatoren er i det røde område, skal du tage spillet ud af drift og indlevere det til 3M eller et autoriseret reparationscenter.	<input type="checkbox"/>	<input type="checkbox"/>	
Digital tæller (figur 11B)	Hvis den digitale tæller overstiger 10.000 cyklusser siden sidste fabriksservice, der er registreret i inspektionsloggen, skal du returnere spillet til 3M eller et autoriseret reparationscenter for at få det serviceret.	<input type="checkbox"/>	<input type="checkbox"/>	
Stålkabelfej	Undersøg hele længden af stålkablet, der begynder ved krogen. Bær altid beskyttelseshandsker, når du inspicerer stålkablet. Efterse kablet for ødelagte tråde ved at føre det gennem hænderne med handsker på, og bøj kablet med få centimeters mellemrum, så du kan se eventuelle brud. Efterse kablet for knæk, snit, knuste og brændte områder, korrosion og andre skader. Stålkabel med alvorlige skader skal tages ud af drift.	<input type="checkbox"/>	<input type="checkbox"/>	
Syntetisk reb	Undersøg for koncentreret slid, flossede fibre, ødelagte tråde, snit og slid. Rebet skal være frit for knuder, tilsmudsning, kraftig akkumulation af maling og rustpletter. Linen må ikke have skader fra ultraviolet lys i form af misfarvning og tilstedeværelse af splinter og fliser på rebets overflade. Alle ovennævnte forhold kan svække rebets styrke. Beskadiget reb eller reb af tvivlsom kvalitet skal udskiftes af et autoriseret servicecenter.	<input type="checkbox"/>	<input type="checkbox"/>	
Reb	Kontroller, at rebet er korrekt placeret i tromlen, ved at hæve og sænke en last på mindst 35 kg (100 lb.). Hvis rebet glider under denne procedure, skal du påføre spænding på den frie ende af rebet, mens du hæver lasten, indtil der ikke længere forekommer glidning.	<input type="checkbox"/>	<input type="checkbox"/>	

**1 Kompetent person:** En person, som er i stand til at identificere eksisterende og forudsigelige risici i omgivelserne eller i forhold til arbejdsforholdene, som er usunde, skadelige eller farlige for medarbejderne, og som har bemyndigelse til at træffe øjeblikkelige korrigerende forholdsregler for at eliminere dem.



**Vor der Verwendung dieses Einstiegs-/Bergungsgeräts für enge Räume müssen die Sicherheitshinweise in diesen Anweisungen gelesen, verstanden und befolgt werden. NICHTBEACHTUNG KANN ERNSTE VERLETZUNGEN ODER DEN TOD ZUR FOLGE HABEN.**

**Diese Anweisungen müssen dem Benutzer dieser Ausrüstung zur Verfügung gestellt werden. Bewahren Sie diese Anweisungen für den späteren Gebrauch auf.**

## Verwendungszweck:

Dieses Einstiegs-/Bergungsgeräts für enge Räume ist für den Gebrauch als Teil eines kompletten persönlichen Absturzsicherungs- oder Rettungssystems vorgesehen.

Die Verwendung in anderen Anwendungen, u. a. bei nicht genehmigten Anwendungen im Materialtransport, Freizeitaktivitäten, Sportaktivitäten oder anderen, nicht in den Benutzeranweisungen oder in den Installationsanweisungen beschriebenen Aktivitäten, wird nicht durch 3M genehmigt und kann zu schweren Verletzungen oder zum Tod führen.

Dieses Gerät darf nur von Personen verwendet werden, die in der Verwendung des Geräts am Arbeitsplatz geschult sind.



## WARNUNG

Dieses Einstiegs-/Bergungsgeräts für enge Räume ist Teil eines persönlichen Absturzsicherungs- oder Rettungssystems. Es wird erwartet, dass alle Benutzer vollständig in der sicheren Installation und Bedienung des kompletten Systems geschult werden. **Der unsachgemäße Gebrauch dieses Geräts kann ernste Verletzungen oder den Tod zur Folge haben.** Informationen zur richtigen Auswahl, Bedienung, Installation, Wartung und Instandhaltung sind allen Produktanweisungen und Herstellerempfehlungen zu entnehmen, oder wenden Sie sich an Ihren Vorgesetzten oder an den technischen Service von 3M.

- **Maßnahmen zur Reduzierung der Risiken (die, wenn sie nicht vermieden werden, zu schweren Verletzungen oder zum Tod führen können) im Zusammenhang mit einem Einstiegs-/Bergungsgeräts für enge Räume:**
  - Überprüfen Sie das Gerät vor jeder Verwendung, mindestens aber jährlich und nach jedem Absturz. Überprüfen Sie gemäß den Benutzeranweisungen.
  - Falls bei der Überprüfung eine Gefahr oder ein Mängelzustand festgestellt wird, nehmen Sie das Gerät außer Betrieb und reparieren oder ersetzen Sie es gemäß den Benutzeranweisungen.
  - Jedes Gerät, das einer Absturzsicherung oder Aufprallkräften ausgesetzt war, muss sofort aus dem Betrieb genommen werden. Sehen Sie in den Benutzeranweisungen nach oder kontaktieren Sie 3M Fall Protection.
  - Das Gerät darf nur in der Art und Weise installiert werden, die in den Installationsanweisungen oder in den Benutzeranweisungen angegeben ist. Nicht in der Bedienungsanleitung beschriebene Installationsweisen und Verwendungen müssen schriftlich von 3M Fall Protection genehmigt werden.
  - Das Trägermaterial oder die Struktur, an die das Gerät befestigt ist, muss die statischen Belastungen tragen können, die für das Gerät in den zulässigen Vorgaben angegeben sind. Diese sind in den Benutzeranweisungen oder in den Installationsanweisungen zu finden.
  - Die Anzahl der zulässigen Benutzer nicht überschreiten.
  - Keine Arbeiten unterhalb einer schwebenden Last oder eines im Gurt hängenden Arbeiters verrichten.
  - Vorsicht beim Installieren, Verwenden und Bewegen des Geräts, da durch bewegliche Teile potentielle Quetschpunkte entstehen können. Sehen Sie in den Benutzeranweisungen nach.
  - Stellen Sie sicher, dass angemessene Verfahren zur Absperrung und Sicherung eingehalten wurden, soweit anwendbar.
  - Niemals mit einem System verbinden, das nicht positioniert, vollständig aufgebaut, angepasst und installiert ist. Das System nicht einstellen, wenn eine Person im Gurt hängt.
  - Nur Untersysteme der Absturzsicherung mit dem gekennzeichneten Verankerungspunkt am Gerät verbinden.
  - Stellen Sie vor dem Bohren oder Befestigen sicher, dass keine elektrischen Leitungen, Gasleitungen oder sonstige kritische integrierte Systeme mit dem Bohrer oder dem Gerät in Kontakt geraten.
  - Stellen Sie sicher, dass Absturzsicherungssysteme/Teilsysteme, die aus Komponenten von verschiedenen Herstellern zusammengebaut werden, zueinander passen und den Anforderungen von geltenden Normen, einschließlich ANSI Z359 oder anderen gültigen Absturzsicherungsrichtlinien, Standards oder Anforderungen entsprechen. Ziehen Sie stets einen Sachkundigen oder eine qualifizierte Person zurate, bevor Sie diese Systeme verwenden.
- **Maßnahmen zur Reduzierung der Risiken (die, wenn sie nicht vermieden werden, zu schweren Verletzungen oder zum Tod führen können) im Zusammenhang mit Arbeiten in der Höhe:**
  - Stellen Sie sicher, dass Ihre gesundheitliche und körperliche Verfassung allen Kräften im Zusammenhang mit Arbeiten in der Höhe sicher standhalten kann. Konsultieren Sie Ihren Arzt, wenn Sie Fragen bezüglich Ihrer Fähigkeit haben, diese Ausrüstung zu verwenden.
  - Niemals die zulässige Belastbarkeit für Ihre Absturzsicherungsausrüstung überschreiten.
  - Niemals die maximale Strecke des Absturzes Ihrer Absturzsicherungsausrüstung überschreiten.
  - Verwenden Sie keine Absturzsicherungsausrüstung, die die Prüfung vor dem Einsatz oder andere geplante Prüfungen nicht bestanden haben, oder wenn Sie Bedenken über die Verwendung oder Tauglichkeit dieser Ausrüstung für Ihren Anwendungsbereich haben. Bei allen Fragen wenden Sie sich an den technischen Kundendienst von 3M.
  - Manche Kombinationen mit Teilsystemen und Komponenten können die Funktionsweise dieser Ausrüstung beeinträchtigen. Nur kompatible Verbindungselemente verwenden. Konsultieren Sie 3M, bevor Sie diese Ausrüstung in Kombination mit anderen Komponenten oder Untersystemen verwenden als denen, die in dieser Bedienungsanleitung beschrieben sind.
  - Bei der Arbeit in der Nähe von beweglichen Maschinen (z. B. Kraftdrehknopf von Ölplattformen), elektrischen Gefahrenherden, extremen Temperaturen, chemischen Gefahren, explosiven oder toxischen Gasen, scharfen Kanten oder unterhalb von über dem Kopf befindlichen Materialien, die auf Sie oder die Absturzsicherung fallen könnten, besonders vorsichtig vorgehen.
  - Bei Arbeiten in Umgebungen mit hohen Temperaturen Vorrichtungen für Schweißlichtbogen oder Heißarbeiten verwenden.
  - Oberflächen und Gegenstände vermeiden, die dem Benutzer oder der Ausrüstung schaden könnten.
  - Stellen Sie bei Arbeiten in der Höhe einen angemessenen Fallraum sicher.
  - Niemals versuchen, die Absturzsicherung zu modifizieren. Nur 3M oder Dritte, die hierzu schriftlich von 3M autorisiert sind, dürfen Reparaturen an der Ausrüstung vornehmen.
  - Vergewissern Sie sich vor dem Einsatz der Absturzsicherung, dass ein Rettungsplan vorliegt, durch dessen Mittel eine unverzügliche Rettung bei einem Absturz ermöglicht wird.
  - Wenn es zu einem Absturz kommt, muss für den abgestürzten Arbeiter sofort ein Arzt hinzugezogen werden.
  - Verwenden Sie für Absturzsicherungsanwendungen keinen Haltegurt. Verwenden Sie nur einen Ganzkörper-Auffanggurt.
  - Minimieren Sie Pendelstürze, indem Sie so nahe wie möglich am Verankerungspunkt arbeiten.
  - Beim Training mit dieser Vorrichtung muss ein zweites Absturzsicherungssystem in der Weise angewendet werden, dass der Trainingsteilnehmer keiner unbeabsichtigten Absturzgefahr ausgesetzt wird.
  - Beim Zusammenbau, der Verwendung oder Prüfung der Vorrichtung stets eine entsprechende persönliche Schutzausrüstung tragen.

Übertragen Sie die Angaben zur Produktidentifikation vor der Installation und Verwendung dieser Ausrüstung vom ID-Etikett in das Prüf- und Wartungsprotokoll hinten in diesem Handbuch.

Stellen Sie immer sicher, dass Sie die neueste Version Ihres 3M-Handbuchs verwenden. Aktualisierte Handbücher erhalten Sie auf der 3M-Website oder über den technischen Kundendienst von 3M.

## PRODUKTBESCHREIBUNG:

Abbildung 1 zeigt die Winde der 3M™ DBI-SALA™-Digital-Serie. Die Winden der Digital-Serie werden für die Arbeitspositionierung, das Fahren von Personen, die Materialhandhabung, den Kletterschutz oder die Rettung und Evakuierung eingesetzt. Diese Windenmodelle sind für ein 3M Fall Protection-Stativ, einen Davitarm oder eine andere Tragkonstruktion vorgesehen und können in Situationen verwendet werden, in denen Personal oder Material bis zu 91,4 m (290 Fuß) angehoben oder abgesenkt werden muss. Abbildung 2 veranschaulicht die Komponenten der digitalen Winde und der Durchlaufwinde.

**A. Arbeitspositionierung:** Zu den Anwendungen gehört das Ablassen eines Arbeiters in einem Arbeitssitz oder Gurtzeug. Eine ein zusätzliches Absturzsystem muss am abgelassenen Mitarbeiter angebracht werden.

**B. Nutzung durch Personal:** Auf der Arbeitsebene wird der Arbeiter nicht mehr von der Winde gehalten. Während der Nutzung der Winde muss der Mitarbeiter ein zusätzliches Absturzsystem nutzen.

**C. Rettung und Evakuierung:** Wird zum Anheben oder Absenken eines gefährdeten oder verletzten Arbeiters oder von Rettungspersonal verwendet. Zu den Anwendungen gehören Arbeiten an geneigten und nicht geneigten Einstiegen in Engeräume. Verwenden Sie in Rettungs- oder Evakuierungssituationen ein zusätzliches Absturzsystem.

**D. Kletterschutz:** Wird zum Schutz eines Arbeiters beim Auf- oder Absteigen einer festen Leiter oder einer ähnlichen Konstruktion verwendet. Die Nutzung dieser Winde sollte auf Konstruktionen beschränkt sein, bei denen andere Kletterschutzmittel wie fest installierte Leitersicherungsgeräte oder persönliche Schutzausrüstung gegen Absturz ungeeignet sind. Für diese Anwendung müssen die folgenden Bedingungen erfüllt sein:

- Leiter oder Stufen sind in gutem Zustand und ermöglichen einen geraden, kontinuierlichen Aufstieg.
- Der Arbeiter, der die Leiter erklimmt, trägt einen Ganzkörpurgurt und die Windenleine ist mit dem dorsalen (hinteren) D-Ring des Gurtzeugs verbunden.
- Der Windenbediener ist im Umgang mit der Winde geschult und kompetent.
- Beim Auf- und Absteigen des Arbeiters auf der Leiter darf das Seil nicht durchhängen.
- Energieabsorbierende Verbindungsmittel sollten zwischen dem dorsalen D-Ring des Gurtzeugs und dem Windenseil verbunden werden.

**Tabelle 1 – Spezifikationen**

Systemspezifikationen:	
<b>Tragfähigkeit</b>	Die maximale Nutzlast für dieses Produkt ist eine Person mit einem kombinierten Höchstgewicht (einschließlich Werkzeug, Kleidung und Ausrüstung) von 204 kg (450 lbs).
<b>Gehäuse-Material</b>	Aluminiumguss mit Pulverbeschichtung
<b>Sicherungsseilmaterial</b>	5 mm (3/16 Zoll) Rostfreier Stahl 6 mm (1/4 Zoll) Rostfreier Stahl 5 mm (3/16 Zoll) Galvanisierter Stahl 6 mm (1/4 Zoll) Technora-Seil 12 mm (1/2 Zoll) Kernmantelseil
<b>Montageanforderungen (siehe Abbildung 7)</b>	Rechtshandkonfiguration (A): Die Kabelzuführung erfolgt von unten mit einem 775 ft-lb. (1.051 N*m) Momentlast und 3.100 lb*f (14 kN) in Zugrichtung ab.  Linkshandkonfiguration (B): Kabelzuführung von oben mit einem 2.356 ft-lb. (3.194 N*m) Momentbelastung und 3.100 lb*f (14 kN) in Zugrichtung.

### Digitale Winde

Abbildung 2 Referenz	Komponente
(A)	Winde
(B)	Primärtriebsnabe. 4:1 Untersetzungsverhältnis
(C)	Sekundäre Antriebsnabe. 9:1 Untersetzungsverhältnis
(D)	Kabelrückhaltefeder
(E)	Tragegriff
(F)	Naben mit manuellem Antrieb
(G)	Abnehmbarer Kurbelarm
(H)	Universal-Montageplatte

**Tabelle 1 – Spezifikationen**

<b>Durchlaufwinde:</b>	
<b>Abbildung 2 Referenz</b>	<b>Komponente</b>
ⓐ	Abnehmbarer Kurbelgriff
ⓑ	Obere Riemenscheibe
ⓒ	Abstandshalter
ⓓ	Obere Rolle

**Abmessungen (Abbildung 15)**

**A:** Winde der Serie 100, Durchlaufwinde (8514602)

**B:** Winde der Serie 200

**C:** Winde der Serie 300

<b>Serie</b>	<b>Modell</b>	<b>Höhensicherung Länge</b>	<b>Kabeltyp</b>	<b>Gewicht</b>
<b>A</b>	8518567	60 ft (18 m)	Verzinkter Stahl	13,8 kg
	8518565	60 ft (18 m)	Edelstahl	13,8 kg
	8518571	60 ft (18 m)	Technoraseil	12,2 kg
	8518560	60 ft (18 m)	Verzinkter Stahl	13,8 kg
	8518558	60 ft (18 m)	Edelstahl	13,8 kg
	8518564	60 ft (18 m)	Technoraseil	12,2 kg
	8518568	90 ft (27 m)	Verzinkter Stahl	14,7 kg
	8518566	90 ft (27 m)	Edelstahl	14,7 kg
	8518561	90 ft (27 m)	Verzinkter Stahl	14,7 kg
	8518559	90 ft (27 m)	Edelstahl	14,7 kg
<b>B</b>	8518588	140 ft (42 m)	Verzinkter Stahl	18,4 kg
	8518586	140 ft (42 m)	Edelstahl	18,4 kg
	8518581	140 ft (42 m)	Verzinkter Stahl	18,4 kg
	8518579	140 ft (42 m)	Edelstahl	18,4 kg
	8518589	190 ft (58 m)	Verzinkter Stahl	19,4 kg
	8518587	190 ft (58 m)	Edelstahl	19,4 kg
	8518582	190 ft (58 m)	Verzinkter Stahl	19,4 kg
	8518580	190 ft (58 m)	Edelstahl	19,4 kg
<b>C</b>	8518610	240 ft (73 m)	Verzinkter Stahl	22,6 kg
	8518608	240 ft (73 m)	Edelstahl	22,6 kg
	8518603	240 ft (73 m)	Verzinkter Stahl	22,6 kg
	8518601	240 ft (73 m)	Edelstahl	22,6 kg
	8518611	290 ft (88 m)	Verzinkter Stahl	19,5 kg
	8518609	290 ft (88 m)	Edelstahl	19,5 kg
	8518604	290 ft (88 m)	Verzinkter Stahl	19,5 kg
	8518602	290 ft (88 m)	Edelstahl	19,5 kg
<b>Durchlaufwinde</b>	8514602	-----	12 mm (1/2 Zoll) Kernmantelseil	14,6 kg

**1 Traglast:** 140 kg (310 lbs) ist der von ANSI vorgeschriebene Nutzlastbereich. Dieses Produkt wurde gemäß OSHA mit einer Maximalkapazität von 191 kg (420 lbs) geprüft.

**2 Sachkundiger:** Eine Person mit einem anerkannten Diplom oder einem professionellen Abschluss und umfangreicher Erfahrung in der Absturzicherung. Diese Person muss sich in Absturzicherungs-Design, -Analyse, -Bewertung und -Spezifikation auskennen.

## 1.0 PRODUKTANWENDUNG

- 1.1 ZWECK:** 3M-Winden sichern an 3M-Absturzschutzsystemen und ermöglichen den Einsatz dieser Systeme für andere Anwendungen. 3M-Winden sind für den Einsatz als Teil eines Arbeitspositionierungs- oder Rettungssystems ausgelegt. Abbildung 1 zeigt die in diesem Handbuch beschriebenen Windenmodelle. Je nach Windenmodell können die Systemanwendungen auch Materialhandhabung, Personentransport und Klettern umfassen. Weitere Informationen zu Systemanwendungen finden Sie in Tabelle 1.

*Verwenden Sie niemals 3M-Winden als primäre Auffanggeräte in einem Auffangsystem.*

- 1.2 NORMEN:** Ihr Produkt entspricht den nationalen oder regionalen Normen, die auf der Vorderseite dieses Handbuchs angegeben ist/sind. Wenn dieses Produkt außerhalb des ursprünglichen Bestimmungslandes wiederverkauft wird, muss der Wiederverkäufer diese Anweisungen in der Sprache des Landes zur Verfügung stellen, in dem das Produkt verwendet werden wird.
- 1.3 AUFSICHT:** Die Verwendung dieser Ausrüstung muss durch eine befähigte Person überwacht werden<sup>1</sup>. Die Montage dieses Equipments muss durch eine sachkundige Person überwacht werden<sup>2</sup>.
- 1.4 TRAINING:** Das Equipment muss von in der richtigen Anwendung geschulten Personen installiert und verwendet werden. Dieses Handbuch ist im Rahmen eines Schulungsprogramms für Mitarbeiter zu verwenden, das den nationalen, regionalen oder lokalen Standards entspricht. Es unterliegt der Verantwortung der Anwender und Installateure dieser Ausrüstung, sicherzustellen, dass sie mit diesen Anweisungen vertraut sind und bezüglich korrekter Pflege und Einsatzweise geschult wurden. Zudem müssen sie die Betriebsmerkmale, Anwendungseinschränkungen und die Folgen eines nicht ordnungsgemäßen Gebrauchs dieser Ausrüstung kennen.
- 1.5 RETTUNGSPLAN:** Beim Verwenden dieses Equipments und dem Anschließen von Teilsystemen muss der Arbeitgeber über einen Rettungsplan sowie die Mittel verfügen, diesen umzusetzen und Benutzern, autorisierten Fachkräften und Rettungskräften zu kommunizieren<sup>3</sup> Autorisierte Personen<sup>4</sup>, und Retter<sup>5</sup>. Ein ausgebildetes internes Rettungsteam wird empfohlen. Die Teammitglieder sind mit den nötigen Geräten und Techniken für eine erfolgreiche Rettung auszustatten. Um eine fachgerechte Verwendung durch die Retter zu gewährleisten, sind regelmäßige Schulungen erforderlich. Diese Anweisungen sollten den Rettungskräften zur Verfügung gestellt werden. Während des Rettungsvorgangs sollte jederzeit Sichtkontakt oder Kommunikationsmittel mit der zu rettenden Person vorhanden sein.
- 1.6 FALLRAUM:** Bei der Bestimmung der erforderlichen Absturzschutzsicherheit für ein Auffangsystem sollte jede Komponente des Absturzschutzsystems berücksichtigt werden. Es muss ein ausreichender Fallraum vorhanden sein, um einen Absturz zu bremsen, bevor der Benutzer auf den Boden oder andere Hindernisse auftrifft. Weitere Informationen zur Berechnung des Fallraums finden Sie in den Herstelleranweisungen, die Ihrem Anschluss-Subsystem beiliegen.
- 1.7 PENDELSTÜRZE:** Zu Pendelstürzen kommt es, wenn sich der Verankerungspunkt nicht direkt über dem Punkt befindet, an dem sich der Fall ereignet (siehe Abbildung 4). Die Kraft des Aufpralls auf ein Objekt bei einem Pendelsturz kann zu schweren Verletzungen oder zum Tod führen. Lassen Sie keinen Pendelsturz zu, wenn es dabei zu Verletzungen kommen könnte. Minimieren Sie Pendelstürze, indem Sie so nahe wie möglich am Verankerungspunkt arbeiten. Der erforderliche Fallraum (FC) des Benutzers nimmt mit zunehmendem Arbeitsradius (W) des Benutzers zu, da die gesamte Fallstrecke größer ist, als wenn der Benutzer direkt unter den Verankerungspunkt gefallen wäre.
- 1.8 NACH EINEM ABSTURZ:** Wenn dieses Gerät Kräfte durch eine Absturzschutzsicherung oder einen Stoß ausgesetzt wurde, nehmen Sie es sofort außer Betrieb. Markieren Sie deutlich mit „NICHT VERWENDEN“ Weitere Informationen finden Sie in Abschnitt 5.

## 2.0 SYSTEMANFORDERUNGEN

- 2.1 VERANKERUNG:** Die Anforderungen an die Verankerung variieren mit der Absturzschutzsicherungsanwendung. Die Struktur, an der das Equipment installiert ist, muss die in Tabelle 1 definierten Verankerungsspezifikationen erfüllen.
- 2.2 TRAGLAST:** Die Benutzerkapazität eines kompletten Absturzschutzsystems wird durch die Komponente mit der niedrigsten maximalen Nennkapazität begrenzt. Wenn beispielsweise Ihr Anschluss-Teilsystem eine geringere Kapazität als Ihr Kabelbaum hat, müssen Sie die Nutzlastanforderungen Ihres Anschluss-Teilsystems erfüllen. Die Nutzlastanforderungen finden Sie in den Herstelleranweisungen für jede Komponente Ihres Systems.
- 2.3 UMWELTGEFAHREN:** Die Verwendung dieses Equipments in Bereichen mit Umweltgefahren kann zusätzliche Sicherheitsmaßnahmen erfordern, um Verletzungsgefahren für den Benutzer und Schäden am Equipment zu vermeiden. Zu diesen Gefahren zählen beispielsweise: Hitze, Chemikalien, korrosive Umgebungen, Hochspannungsleitungen, explosive oder giftige Gase, bewegliche Maschinen, scharfe Kanten oder überhängiges Material, das herunterfallen und den Anwender oder das Gerät treffen kann. Wenden Sie sich zur weiteren Klärung an den technischen Kundendienst von 3M.
- 2.4 SICHERUNGSSEILGEFAHREN:** Stellen Sie sicher, dass das Sicherungsseil von allen Gefahren frei gehalten wird, darunter: Verwicklung mit Benutzern, anderen Arbeitern, sich bewegenden Maschinen, anderen Gegenständen in der Umgebung oder Aufprall von Überkopf-Objekten, die auf das Sicherungsseil oder die Benutzer fallen könnten.
- 2.5 SCHARFE KANTEN:** Vermeiden Sie den Einsatz dieser Ausrüstung an Orten, an denen Systemkomponenten mit scharfen Kanten und abrasiven Oberflächen in Kontakt kommen oder gegen diese scheuern. Alle scharfen Kanten und abrasiven Oberflächen müssen mit Schutzmaterial abgedeckt werden, wenn ein Kontakt unvermeidlich ist.

**1 Sachkundiger:** Eine Person, die in der Lage ist, bestehende und vorhersehbare Risiken in der Umgebung oder bei Arbeitsbedingungen zu erkennen, die für Mitarbeiter gesundheitsgefährdend, gefährlich oder risikoreich sind, und die befugt ist, sofort korrigierende Maßnahmen zu ergreifen, um diese Risiken und Gefährdungen zu beseitigen.

**2 Sachkundige Person:** Eine Person mit einem anerkannten Abschluss, Zertifikat oder beruflichen Status, oder die durch umfangreiches Wissen, Ausbildung und Erfahrung erfolgreich ihre Fähigkeit nachgewiesen hat, Probleme im Zusammenhang mit Absturzschutzsicherungs- und Rettungssystemen in dem von einschlägigen nationalen, regionalen und lokalen Vorschriften geforderten Umfang zu lösen oder zu beheben.

**3 Benutzer:** Eine Person, die Tätigkeiten ausführt, während sie durch ein Absturzschutzsystem geschützt ist.

**4 Autorisierte Person:** Eine Person, die vom Arbeitgeber dazu bestimmt ist, Aufgaben an einem Ort auszuführen, an dem sie einer Absturzgefahr ausgesetzt ist.

**5 Retter:** Eine Person, die das Rettungssystem benutzt, um eine assistierte Rettung durchzuführen.



**2.6 KOMPATIBILITÄT DER EINZELNEN KOMPONENTEN:** Die Ausrüstung von 3M ist nur zur Verwendung mit den von 3M freigegebenen Komponenten und Subsystemen ausgelegt. Ein Austausch gegen nicht genehmigte Bauteile oder Teilsysteme kann die Kompatibilität der Ausrüstung und die Sicherheit und Zuverlässigkeit des gesamten Systems gefährden.

**2.7 KOMPATIBILITÄT DER VERBINDUNGSELEMENTE:** Verbindungselemente sind mit anderen Verbindungselementen kompatibel, wenn sie in Größe und Form so konzipiert sind, dass sie zusammenarbeiten, ohne dass sich ihre Verschlussmechanismen versehentlich öffnen, unabhängig davon, wie sie ausgerichtet sind. Kontaktieren Sie 3M, wenn Sie Fragen zur Kompatibilität haben.

Verbindungselemente (Schnapphaken, Karabinerhaken) müssen einer Belastung von mindestens 22,2 kN (5.000 lbs) standhalten können. Verbindungselemente müssen mit der Verankerung oder anderen Systemkomponenten kompatibel sein. Verwenden Sie kein Equipment, das nicht kompatibel ist. Nicht kompatible Verbindungselemente können sich versehentlich lösen (siehe Abbildung 5). Verbindungselemente müssen in Größe, Form und Belastbarkeit kompatibel sein. Wenn das Verbindungselement, an das der Schnapphaken oder Karabiner angeschlossen wird, zu klein ist oder eine unregelmäßige Form aufweist, kann es dazu kommen, dass das Verbindungselement Druck auf den Verschluss des Schnapphakens oder Karabiners (A) ausübt. Diese Kraft kann dazu führen, dass sich der Verschluss öffnet (B), sodass sich der Schnapphaken oder Karabiner vom Verbindungspunkt (C) löst.

**2.8 ANSCHLAGEN:** Verwenden Sie mit diesem Equipment nur selbstsichernde Schnapp- und Karabinerhaken. Stellen Sie sicher, dass alle Verbindungen bezüglich Größe, Form und Stärke kompatibel sind. Verwenden Sie kein Equipment, das nicht kompatibel ist. Vergewissern Sie sich, dass alle Verbindungselemente vollständig geschlossen und verriegelt sind.

Verbindungselemente von 3M (Schnapphaken und Karabiner) dürfen nur wie in der Bedienungsanleitung des jeweiligen Produktes angegeben verwendet werden. Abbildung 6 zeigt Beispiele für falsche Verbindungen. Schnapp- und Karabinerhaken dürfen nicht wie folgt befestigt werden:

- A. An einer Auffangöse, an der ein anderes Verbindungselement befestigt ist.
- B. Auf eine Weise, die den Verschluss belastet. Karabinerhaken mit großem Hals sollten nicht mit D-Ringen in Standardgröße oder ähnlichen Gegenständen verbunden werden, die zu einer Belastung des Tors führen, wenn sich der Haken oder D-Ring dreht oder dreht, es sei denn, der Karabinerhaken ist mit einem 16 kN (3.600 lbf) Verschluss ausgestattet. Überprüfen Sie die Markierung auf Ihrem Schnapphaken, um sicherzustellen, dass er die Voraussetzungen für die Anwendung erfüllt.
- C. An einem falschen Rasthaken, wenn Teile des Schnapphakens oder Karabiners hervorstehen, die sich in der Verankerung verfangen können, und ohne dass visuell geprüft werden kann, ob der Verbinder voll in der Verankerung eingerastet ist.
- D. Aneinander.
- E. Direkt an einem Gurtband, Verbindungsmittel oder rückwärtigem Verbindungsmittel (außer es ist laut Anweisungen des Herstellers ausdrücklich erlaubt, die Verbindungselemente auf diese Weise anzuschließen).
- F. An einem Objekt, das eine Größe und Form aufweist, die verhindern, dass der Karabinerhaken oder Karabiner verschlossen und verriegelt werden kann, oder dazu führen, dass sich der Haken löst.
- G. Auf eine Weise, in der sich das Verbindungselement unter Last nicht richtig ausrichten kann.

### 3.0 MONTAGE

**3.1 PLANUNG:** Planen Sie Ihr Fallschutzsystem vor der Montage der digitalen Seilwinde. Berücksichtigen Sie alle Faktoren, die Ihre Sicherheit vor, während und nach einem Absturz beeinträchtigen könnten. Beachten Sie alle in Abschnitt 2 und Tabelle 1 beschriebenen Anforderungen, Einschränkungen und Spezifikationen.

### 3.2 MONTAGE DER WINDE AM DAVITARM ODER STATIV:

**WINDENINSTALLATION:** Siehe Abbildung 8.

Schritt 1: Montieren Sie die Winde auf der Tragkonstruktion, indem Sie das geschlitzte Ende der Schnellmontagehalterung auf den festen Stift (A) der Montagehalterung stecken.

Schritt 2: Schwenken Sie die Winde nach oben, um die Löcher in den Montagebügeln auszurichten.

Schritt 3: Den Verriegelungsraststift (B) durch die Löcher führen, mit denen die Winde an der Tragkonstruktion befestigt ist.

**Drahtseil-Richtrollen müssen einen Mindestprofildurchmesser von 6,4 cm (2,5 Zoll) aufweisen.**

### 3.3 BEDIENUNG DER WINDE:

**A. VERBINDEN DER WINDENLEINE MIT EINER LAST:** Siehe Abbildung 10. A: Windenleine, B: Windenleine vom Typ Y, C: Sekundäres Sicherungsseil, D: Schulter-D-Ring, E: Rücken-D-Ring, F: Abziehadapter, G: Materialverlast. Für Anwendungen, die keine sekundäre PSaGA erfordern, sollte die Windenleine mit Rücken-D-Ring des Gurtzeugs des Arbeiters verbunden werden. Für Anwendungen, die eine sekundäre PSaGA erfordern, sollte die Windenleine mit einem Y-Seil verbunden werden, und dieses Seil sollte an den Schulter-D-Ringen des Gurtzeugs des Arbeiters befestigt werden. Das sekundäre Sicherungsseil sollte mit dem Rücken-D-Ring des Gurtzeugs des Arbeiters verbunden werden. Bei Materialtransportanwendungen verbinden Sie die Windenleine mit der Last über einen Ankerstab oder eine andere Verankerungsvorrichtung.

**B. BEDIENUNG DER DIGITALWINDE:** Befestigen Sie die Winde wie in Abschnitt 3.4 beschrieben an der Tragkonstruktion. Montieren Sie den Windenkurbelgriff in die 9:1 oder 4:1 Antriebsnabe und drücken Sie ihn fest nach innen, bis die federbelastete Lasche am Griff einrastet (der Griff am Griff sollte nach außen zeigen).

Um den Kurbelgriff von der Nabe zu entfernen, drücken Sie die federbelastete Lasche nach unten und ziehen Sie den Griff aus der Nabe.

Führen Sie die Leine von der Windentrommel durch Drehen des Kurbelgriffs in Absenkrichtung (gegen den Uhrzeigersinn). Bringen Sie ca. 10 lbs (4,5 kg) Spannung auf die Leine, während sie von der Trommel zugeführt wird. Führen Sie die Leine über das Tragwerk-Rollensystem. Für die Kabelführung ist die Bedienungsanleitung der Tragkonstruktion zu beachten.

**ZUM ANHEBEN EINER LAST:** Drehen Sie den Kurbelgriff der Winde in Hubrichtung (im Uhrzeigersinn). Um die Last zu halten oder kurzzeitig aufzuhängen, hören Sie auf zu kurbeln. Die automatische Bremse hält die Last, wenn der Griff gelöst wird. Überschreiten Sie nicht die Nennlast von 204 kg.

**ZUM ABSENKEN EINER LAST:** Drehen Sie den Kurbelgriff der Winde in die untere Richtung (gegen den Uhrzeigersinn). Wenn Sie die Leine ohne Last absenken, halten Sie etwa 4,5 kg (10 lbs) Spannung auf der Leitung, um die Auszahlung zu erleichtern und ein Verhaken der Kabel zu verhindern.

**C. BEANSPRUCHUNGSANZEIGE:** Siehe Abbildung 11. A: Normaler Karabinerhaken, B: Aufschlag-Karabinerhaken, C: Rotes Band zeigt die Stoßbelastung an. Die Digitalwinde wird mit einem Verbindungsdrehhaken geliefert, der mit einer Aufprallanzeige ausgestattet ist. Diese Anzeige funktioniert, wenn die Winde stark belastet wird, oder wenn die Tragfähigkeit um einen vorgegebenen Betrag überschritten wird. Ein Haken, der einer Stoßbelastung ausgesetzt war, zeigt ein rotes Band im Schwenkbereich an.

**D. ENTFERNEN DER WINDE:** Trennen Sie das Sicherungsseil vom Gurtzeug des Arbeiters oder von der Materiallast. Halten Sie beim Aufwickeln auf die Trommel mindestens eine Last von 4,5 kg (10 lb) auf dem Sicherungsseil. Ziehen Sie das Sicherungsseil durch die Stützstruktur zurück. Wickeln Sie das Sicherungsseil weiter auf die Trommel, bis die Kupferzwingen und der Fingerhut die Trommel berühren. Trennen Sie die Winde von der Tragkonstruktion.

**E. BOHRMASCHINENNABE (SIEHE ABBILDUNG 9):** Die optionale 8512936 (A) kann angebracht werden, um den Benutzer mit einer Bohrmaschine (B) mit 1/2 Zoll anzuheben und abzusenken. (12,7 mm) Antrieb und einer maximalen Bohrerzahl von 300 U/min angebracht werden. Siehe IFU 5903667 für weitere Einzelheiten.

**3.4 LASTAUFNAHME:** Ziehen Sie am Karabinerhaken, während Sie den Griff gegen den Uhrzeigersinn drehen, um das Sicherungsseil zu verlängern, bis genügend Seil vorhanden ist, um es bequem am Arbeiter oder der Ladung zu befestigen. Führen Sie die Befestigung außerhalb des Einstiegsbereichs durch, damit keine Gefahr besteht, dass der Arbeiter oder die Last herunterfällt. Verwenden Sie zwei Hände, um das Sicherungsseil zu befestigen: Eine Hand hält die Spannung auf dem Sicherungsseil aufrecht, die andere drückt auf das Schloss und entriegelt den Karabinerhaken. Stecken Sie den Haken in den D-Ring des Gurtzeugs. Lassen Sie die Sperre los und vergewissern Sie sich, dass der Karabinerhaken sicher am D-Ring befestigt ist.

**3.5 SYSTEMINTEGRITÄT:** Überprüfen Sie die Integrität des Befestigungs- und Stützsystems wie folgt:

- A.** Kurbeln Sie den Windengriff in Hubrichtung, bis die Leine fest sitzt. Der Arbeiter sollte sein Gewicht langsam auf das Gurtzeug und das Sicherungsseil übertragen, bis er beide Füße vom Boden heben kann.
- B.** Stellen Sie sicher, dass die Winde den Arbeiter in einer stationären Position hält. Stellen Sie auch die Passform des Gurtzeugs zu diesem Zeitpunkt so ein, dass es nicht kneift, scheuert oder bindet.

**Verwenden Sie die Seilwinde nicht zum Anheben oder Absenken mehrerer Personen. Die maximale Tragfähigkeit beträgt 2,0 Kn (450 lb).**

**3.6 EINEN ARBEITER ABSENKEN:** Der Begleiter sollte den Windengriff gegen den Uhrzeigersinn drehen, um das Sicherungsseil freizugeben. Der Begleiter sollte eine behandschuhte Hand auf dem Sicherungsseil halten, da sie sich ausdehnt, um eine leichte Spannung auf dem Sicherungsseil zu halten.

Wenn die Leine während des Betriebs eng oder locker wird, wenden Sie sich an den suspendierten Arbeiter, um festzustellen, ob ein Problem vorliegt. Beheben Sie dieses, bevor Sie fortfahren.

**Wenn die Kurbelspannung während des Absenkens plötzlich nachlässt, hat die abgesenkte Person/das abgesenkte Material eventuell den Arbeitsbereich oder ein Hindernis erreicht. Nicht weiter ablassen, ohne mit der Person zu kommunizieren oder das abzusenkende Material zu überprüfen. Halten Sie die Kabelspannung immer hoch. Schlaffseil kann zu einem freien Fall führen.**

Während ein Arbeiter aufgehängt ist, halten Sie den Sicherungsseilwinkel bei maximal 5 Grad von der Vertikalen. Der Arbeiter kann bei einem Schwenksturz bei mehr als 5 Grad schwer verletzt werden. Wenn der Arbeiter nicht suspendiert wird und keine Gefahr eines Sturzes besteht, kann der Begleiter eine ausreichende Leitung [2 ft. max. (.6 m)] auszahlen, damit der Arbeiter bequem arbeiten kann. Die Begleitperson sollte die Leine so halten, dass immer eine leichte Spannung vorhanden ist. Ständige Kommunikation zwischen dem Arbeiter und dem Begleiter.

**Die letzten 3 m (10 ft) des Sicherungsseils haben einen roten Marker und sollten nicht von der Trommel abgewickelt werden. Diese Länge bietet die erforderliche Umhüllung der Trommel, um das Sicherungsseil richtig zu verankern, und stellt sicher, dass die Umhüllungsrichtung des Sicherungsseils korrekt ist. Stoppen Sie die Verlängerung des Sicherungsseils, wenn Sie die rote Markierung sehen. Das Sicherungsseil muss auf die Trommel aufgewickelt werden, indem die Kurbel nur in Richtung „Heben“ (gegen den Uhrzeigersinn) gedreht wird. Überprüfen Sie regelmäßig, um sicherzustellen, dass sich das Sicherungsseil gleichmäßig auf der Trommel wickelt. Beim Umgang mit dem Sicherungsseil Handschuhe tragen.**

- 3.7 EINEN ARBEITER ZURÜCKHOLEN:** Kommunizieren Sie mit dem Mitarbeiter, wenn Sie sich darauf vorbereiten, sie abzurufen und die Kommunikation während des gesamten Verfahrens aufrechtzuerhalten. Legen Sie die Kurbel in die 4:1- oder 9:1-Antriebsnabe, um die Drehkraft in einem komfortablen Bereich zu halten. Ziehen Sie das Sicherungsseil zurück und holen Sie den Arbeiter zurück. Halten Sie eine gleichmäßige Auslagerungsrate ein. Wenn die Drehlast des Windengriffs plötzlich zunimmt, stoppen und untersuchen. Ermitteln Sie die Ursache und beheben Sie das Problem, bevor Sie fortfahren. Unterstützen Sie nach der Entnahme die Last oder den Arbeiter und trennen Sie das Sicherungsseil.
- 3.8 TRÄGHEITSBREMSE:** Die Digitalwinde ist mit einer ständig wirkenden Bremse ausgestattet, die eine schwebende Last hält, wenn die Kurbel gelöst wird. Die Bremse besteht aus drei unabhängigen Sperrklinken. Alle drei Sperrklinken müssten unbrauchbar werden, damit die Primärbremse ausfällt. Die Winde verfügt über eine sekundäre Trägheitsbremse, falls die Primärbremse ausfallen sollte. Wenn die Primärbremse versagte, würde die Winde freilaufen, bis die Trägheitsbremse einrastet und das Kabel stoppt. Nicht mehr als 1 m (3 ft.) Kabel wird ausgefahren, bevor die Trägheitsbremse einrastet.
- 3.9 LINKSHÄNDIGES RÜCKHOLEN:** Die Digitalwinde kann so eingestellt werden, dass sie wie eine Linkshänder-Rückholung funktioniert. Um diese Einstellung vorzunehmen, entfernen Sie die Kabelhaltefeder und befestigen Sie sie mit der gleichen Hardware in der Bohrung am anderen Ende der Montageplatte. Entfernen Sie den Tragegriff, indem Sie die beiden Schrauben, mit denen er an der Winde befestigt ist, entfernen und am anderen Ende der Winde wieder einsetzen. Verwenden Sie eine abnehmbare Gewindesicherung wie Loctite 242, um alle Befestigungselemente zu sichern. Die Winde wird nun auf Montagebügeln montiert, wobei sich der Griff auf der linken Seite der Winde befindet.

**Das Kabel wird in der Linkshandkonfiguration von der Oberseite der Trommel geführt und ändert die Anforderungen an die Momentanbelastung. Siehe Tabelle 1.**

- 3.10 SEIL-INSTALLATION:** Die Durchlaufwinde kann 12 mm (1/2") Durchmesser des Kernmantelseils in verschiedenen Längen aufnehmen. Die Installationsverfahren variieren je nachdem, ob das Seil mit einem Karabinerhaken an einem Ende abgeschlossen wird.

**Nach der Zuführung des Seils in die Durchlaufwinde kann es notwendig sein, das freie Ende des Seils zu spannen und gleichzeitig eine Last anzuheben, um das Seil vollständig in der Trommel zu platzieren.**

**Achten Sie immer darauf, dass sich genügend Länge im Seil befindet, um die Winde sicher zu bedienen, ohne die Seillänge zu verlieren.**

**OHNE KARABINERHAKEN:** Das Seil ohne Karabinerhaken kann je nach Seilmenge von beiden Seiten in die Durchlaufwinde eingeführt werden:

**MONTAGE VOM SEILANFANG AUS:** Siehe Abbildung 13.

Schritt 1: Sichern Sie die Durchlaufwinde an der richtigen Verankerung (Stativbein, Davitarm usw.).

Schritt 2: Den Anfang des Seils unter den Abstandhalter (13.1 A) und zwischen Trommel und Oberwalze (13.1 B) einführen.

Schritt 3: Führen Sie das Seil vorsichtig in der Winde, während Sie den Kurbelgriff gegen den Uhrzeigersinn drehen. Wenn das Seil durch die Winde läuft (Abbildung 13.2), stellen Sie sicher, dass das Seil über den Abstandhalter (13.2 A) und unter der großen oberen Umlenkrolle (13.2 B) aus der Winde austritt. Eine Führung des Seils vor der oberen Umlenkrolle kann erforderlich sein.

Schritt 4: Fahren Sie mit dem Anlassen des Griffs fort und führen Sie das Seilende über die Davit-Systemrolle oder Kabelführung.

**DIE MONTAGE ERFOLGT VOM ENDE DES SEILS AUS:** Siehe Abbildung 14.

Schritt 1: Befestigen Sie die Durchlaufwinde an der richtigen Verankerung (Stativbein, Davitarm usw.).

Schritt 2: Das Ende des Seils über dem Abstandhalter (14.1 A) und zwischen der Trommel und der großen oberen Umlenkrolle (14.1 B) einführen.

Schritt 3: Führen Sie das Seil vorsichtig in der Winde, während Sie den Kurbelgriff im Uhrzeigersinn drehen. Wenn das Seil durch die Winde läuft (Bild 14.2), stellen Sie sicher, dass das Ende des Seils unter dem Abstandhalter (14.2 A) und auf der Oberwalze (14.2 B) aus der Winde austritt. Eine Führung des Seils vor dem Abstandhalter (14.1 A) kann erforderlich sein.

Schritt 4: Fahren Sie mit dem Kurbeln des Kurbelgriffs fort, bis das Seil über die Oberwalze fällt und von der Winde herunterhängt.

**3.12 INSTALLATION DES SEILS MIT EINEM KARABINERHAKEN:** Bei der Montage von Seilen, die an einem Ende mit einem Karabinerhaken versehen sind, sollte das Seil korrekt über eine beliebige Verankerungskonstruktion (z. B. Riemenscheibe, Rolle) geführt werden und das unendliche Ende wie bei „Montage vom Seilende aus“ durch die Durchlaufwinde geführt werden.

**3.13 SEILENDE:** Das freie Ende des Seils muss gesichert sein oder mit einem Knoten versehen sein, um sicherzustellen, dass das freie Ende des Seils während des Betriebs nicht durch die Winde läuft.

#### 4.0 VERWENDUNG

**4.1 VOR JEDEM EINSATZ:** Stellen Sie sicher, dass Ihr Arbeitsbereich und Ihr Absturzschutzsystem alle in dieser Anleitung definierten Kriterien erfüllen. Stellen Sie sicher, dass ein formeller Rettungsplan vorhanden ist. Prüfen Sie das anhand der „Benutzer“-Inspektionspunkte, die im „Inspektions- und Wartungsprotokoll“ angegeben sind. Wenn bei der Inspektion ein unsicherer oder fehlerhafter Zustand festgestellt wird oder Zweifel an seinem Zustand für die sichere Verwendung bestehen, nehmen Sie das Produkt sofort außer Betrieb. Markieren Sie es deutlich mit „NICHT VERWENDEN“. Weitere Informationen finden Sie in Abschnitt 5.

#### 5.0 INSPEKTION

**5.1 INSPEKTIONSHÄUFIGKEIT:** Das Produkt muss vom Benutzer vor jeder Benutzung und zusätzlich mindestens jährlich von einem Sachkundigen inspiziert werden, der nicht der Benutzer ist. Eine höhere Einsatzhäufigkeit des Geräts und rauere Bedingungen können es erforderlich machen, die Inspektionshäufigkeit durch einen Sachkundigen zu erhöhen. Die Häufigkeit dieser Inspektionen sollte vom Sachkundigen je nach den spezifischen Bedingungen des Einsatzortes festgelegt werden.

**5.2 INSPEKTIONSVERFAHREN:** Inspizieren Sie dieses Produkt gemäß den im „Inspektions- und Wartungsprotokoll“ aufgeführten Verfahren. Der Eigentümer dieses Equipments sollte eine Dokumentation jeder Inspektion führen. Ein Inspektions- und Wartungsprotokoll sollte in der Nähe des Produkts angebracht oder anderweitig für Benutzer leicht zugänglich sein. Es wird empfohlen, dieses Produkt mit dem Datum der nächsten oder letzten Inspektion zu kennzeichnen.

**Alle 10.000 Zyklen oder 5 Jahre:** Es wird empfohlen, die Winde von einer vom Hersteller autorisierten Servicestelle oder dem Hersteller warten zu lassen. Extreme Arbeitsbedingungen können eine häufigere Prüfung erforderlich machen. Das Wartungsprogramm sollte insbesondere Folgendes einschließen: eine intensive Überprüfung und Reinigung aller internen und externen Komponenten. Die Unterlassung der Wartung kann die Produktlebensdauer beträchtlich verkürzen und könnte die Produktleistung gefährden.

**5.3 SCHÄDEN:** Falls bei der Überprüfung ein Sicherheitsproblem oder ein Defekt festgestellt wird, nehmen Sie die Winde unverzüglich außer Betrieb und kontaktieren Sie 3M, um eine Reparatur oder einen Austausch zu veranlassen. Versuchen Sie nicht, das Absturzschutzsystem zu reparieren.

**Nur autorisierte Reparaturen:** Nur 3M oder Dritte, die hierzu schriftlich autorisiert sind, dürfen Reparaturen an dieser Ausrüstung vornehmen.

**5.4 PRODUKTLEBENSDAUER:** Die Haltbarkeit des Absturzschutzsystems wird von den Arbeitsbedingungen und der Wartung bestimmt. Solange das Produkt die Inspektionskriterien erfüllt, kann es in Betrieb bleiben.

#### 6.0 WARTUNG, REPARATUR und AUFBEWAHRUNG


**6.1 REINIGUNG:** Reinigen Sie die Metallbauteile der Digitalwinde regelmäßig mit einer weichen Bürste, warmem Wasser und einer milden Seifenlösung. Vergewissern Sie sich, dass die Teile sorgfältig mit viel klarem Wasser gespült werden.

**6.2 SERVICE:** Nur 3M oder Dritte, die hierzu von 3M schriftlich autorisiert sind, dürfen Reparaturen an diesem Equipment vornehmen. Falls die Digitalwinde Fallkräften ausgesetzt war oder bei der Überprüfung ein Sicherheitsproblem oder ein Defekt festgestellt wird, nehmen Sie das System außer Betrieb und kontaktieren Sie 3M, um eine Reparatur oder einen Austausch zu veranlassen.

**6.3 LAGERUNG UND TRANSPORT:** Lagern Sie die Winde und die dazugehörige Absturzschutz-ausrüstung bei Nichtgebrauch in einer kühlen, trockenen, sauberen Umgebung, in der sie vor direkter Sonneneinstrahlung geschützt ist. Dasselbe gilt für den Transport. Setzen Sie das Produkt keinen chemischen Dämpfen aus. Prüfen Sie die Komponenten nach langer Lagerung gründlich.

#### 7.0 ETIKETTEN UND MARKIERUNGEN

Abbildung 16 zeigt die Etiketten der Digitalwinde. Etiketten müssen ersetzt werden, wenn sie nicht vollständig lesbar sind. Folgende Angaben sind auf jedem Etikett enthalten:

(A)	 Lesen Sie alle Anweisungen. 1) Herstellungsjahr und -monat 2) Chargennummer 3) Modellnummer 4) Länge
(B)	10.000 Zyklen
(C)	Etikett für die Bedienungsanleitung der Digitalwinde

**Tabelle 2 – Inspektions- und Wartungsprotokoll**

<b>Inspektionsdatum:</b>		<b>Inspiziert von:</b>		
<b>Komponenten:</b>	<b>Inspektion:</b> (Siehe Abschnitt 5 zur <i>Häufigkeit der Inspektion</i> )	<b>Benutzer</b>	<b>Sachkundiger<sup>1</sup></b>	
Digitale Winde (Abbildung 2)	Überprüfen Sie alle Schrauben, Bolzen und Muttern. Stellen Sie sicher, dass sie sicher angebracht und festgezogen sind. Prüfen Sie, ob Bolzen, Muttern oder andere Teile fehlen oder in jeglicher Form verändert oder ersetzt worden sind. Überprüfen Sie die Abdeckungen und Gehäuse. Stellen Sie sicher, dass diese keine Risse, Beulen, Korrosion oder andere Beschädigungen aufweisen.	<input type="checkbox"/>	<input type="checkbox"/>	<input type="checkbox"/>
Etiketten (Abbildung 15)	Überprüfen Sie, ob alle Etiketten sicher befestigt und lesbar sind.	<input type="checkbox"/>	<input type="checkbox"/>	<input type="checkbox"/>
Absturzsicherungsequipment	Zusätzliches Absturzsicherungsequipment, das mit dem Produkt verwendet wird, sollte gemäß den Anweisungen des Herstellers installiert und inspiziert werden.	<input type="checkbox"/>	<input type="checkbox"/>	<input type="checkbox"/>
Kurbelgriffschrauben	Der abnehmbare Dreharm muss fest im Nabenantrieb verriegelt sein und darf keine Risse, Verbiegungen oder andere Schäden aufweisen. Überprüfen Sie, dass jeder Handgriff auf dem Dreharm fest sitzt. Verwenden Sie Loctite262 oder eine ähnliche Schraubensicherung für die Ankerschrauben, um diese festzuhalten. Verwenden Sie die Winde nicht, solange der Dreharm nicht voll funktionstüchtig ist.	<input type="checkbox"/>	<input type="checkbox"/>	<input type="checkbox"/>
Verbindungshaken	Der Verbindungshaken darf weder beschädigt, gebrochen oder verdreht sein noch scharfe Kanten, Einkerbungen, verschlissene Teile oder Korrosion aufweisen. Stellen Sie sicher, dass der Verbindungshaken ordnungsgemäß funktioniert. Die Hakensperre muss frei beweglich sein und sich bei Verschluss verriegeln. Der Haken muss sich frei drehen.	<input type="checkbox"/>	<input type="checkbox"/>	<input type="checkbox"/>
Anzeige des Bremsverschleißes (Abbildung 11A)	Überprüfen Sie die Bremsverschleißanzeige, die sich in der Mitte der 4:1-Antriebsnabe befindet. Wenn sich die Anzeige im roten Bereich befindet, verwenden Sie die Winde nicht mehr und schicken Sie sie zur Reparatur an 3M oder an einen autorisierten Kundendienst.	<input type="checkbox"/>	<input type="checkbox"/>	<input type="checkbox"/>
Digitaler Zähler (Abbildung 11B)	Überprüfen Sie das digitale Zählwerk. Wenn es 10.000 Zyklen seit der letzten im Prüfprotokoll vermerkten Herstellerwartung überschreitet, schicken Sie die Winde zur Wartung an 3M oder an einen autorisierten Kundendienst.	<input type="checkbox"/>	<input type="checkbox"/>	<input type="checkbox"/>
Drahtseilfehler	Überprüfen Sie die gesamte Länge der Drahtseilbaugruppe, beginnend am Haken. Verwenden Sie immer Schutzhandschuhe, wenn Sie ein Drahtseil inspizieren. Prüfen Sie es auf gebrochene Drähte, indem Sie es durch die mit Handschuhen geschützten Hände laufen lassen, wobei Sie es nach ein paar Zentimetern biegen, um Kabelbrüche festzustellen. Überprüfen Sie das Gerät auf Knicke, Schnitte, zerquetschte Brandstellen, Korrosion oder andere Schäden. Drahtseile mit schweren Schäden müssen außer Dienst gestellt werden.	<input type="checkbox"/>	<input type="checkbox"/>	<input type="checkbox"/>
Synthetisches Seil	Prüfen Sie es auf massierte Abnutzung, ausgefranste Stränge, gebrochene Fäden, Schnitte und Abschürfungen. Das Seil darf keine Knoten, übermäßige Verschmutzung, dicke Farbflächen und Rostflecken auf der gesamten Länge aufweisen. Das Seil darf keine UV-Schäden aufweisen. Diese zeigen sich durch Farbveränderungen und dem Vorhandensein von Splintern auf der Seiloberfläche. Alle oben genannten Faktoren verringern erwiesenermaßen die Stärke des Seils. Ein beschädigtes oder problematisches Seil muss durch einen autorisierten Kundendienst ausgetauscht werden.	<input type="checkbox"/>	<input type="checkbox"/>	<input type="checkbox"/>
Seil	Stellen Sie sicher, dass das Seil vollständig in der Trommel sitzt, indem Sie eine Last von mindestens 35 kg (100 lbs) anheben und absenken. Wenn das Seil während dieses Vorgangs rutscht, spannen Sie das freie Ende des Seils, während Sie die Last anheben, bis der Schlupf beseitigt ist.	<input type="checkbox"/>	<input type="checkbox"/>	<input type="checkbox"/>

**1 Sachkundiger:** Eine Person, die in der Lage ist, bestehende und vorhersehbare Risiken in der Umgebung oder bei Arbeitsbedingungen zu erkennen, die für Mitarbeiter gesundheitsgefährdend, gefährlich oder risikoreich sind, und die befugt ist, sofort korrigierende Maßnahmen zu ergreifen, um diese Risiken und Gefährdungen zu beseitigen.



# INFORMACIÓN DE SEGURIDAD

ES

Lea, comprenda y cumpla con todo lo dispuesto en la información de seguridad contenida en estas instrucciones antes de utilizar este dispositivo de entrada/rescate en espacios confinados. **SI NO LO HACE, PUEDE SUFRIR GRAVES LESIONES O LA MUERTE.**

Estas instrucciones deben entregarse al usuario de este equipo. Conserve las instrucciones para futuras consultas.

## Uso previsto:

Este dispositivo de entrada/rescate en espacios confinados está pensado para ser utilizado como parte de un sistema completo de protección contra caídas o sistema de rescate.

El empleo en cualquier otra aplicación, entre otras, las aplicaciones no aprobadas en la manipulación de materiales, actividades de recreo o deportivas, u otras actividades no descritas en las instrucciones para el usuario o en las instrucciones de instalación, no está aprobado por 3M y puede provocar lesiones graves o la muerte.

Este dispositivo solo deben usarlo usuarios formados en su utilización en aplicaciones dentro del lugar de trabajo.



## ADVERTENCIA

Este dispositivo de entrada/rescate en espacios confinados es parte de un sistema completo de protección contra caídas o sistema de rescate. Se espera que todos los usuarios se hayan formado completamente en la instalación y uso seguro del sistema completo. **El mal uso de este dispositivo puede provocar lesiones graves o la muerte.** Para una adecuada selección, uso, instalación mantenimiento, inspección y reparación, consulte las instrucciones del producto y todas las recomendaciones del fabricante, contacte con su supervisor o con el servicio técnico de 3M.

- **Para reducir los riesgos asociados con trabajar con dispositivos de entrada/rescate en espacios confinados que, si no se evitan, pueden provocar lesiones graves o la muerte:**
  - Inspeccione el dispositivo antes de cada uso, al menos, con una periodicidad anual, y después de que el sistema haya soportado una caída. Realice la inspección según las instrucciones del producto.
  - Si la inspección revela una situación poco segura o algún defecto, retire el dispositivo del servicio, repárelo o reemplácelo, según se indique en estas instrucciones.
  - Cualquier dispositivo que haya estado sometido a una fuerza de detención de caídas o impacto deberá retirarse inmediatamente del servicio. Consulte las Instrucciones para el usuario o póngase en contacto con 3M Fall Protection.
  - El dispositivo debe instalarse solo de la forma detallada en las instrucciones de instalación o en las instrucciones del usuario. La instalación y uso fuera del alcance de las instrucciones deben ser aprobados por escrito por 3M Fall Protection.
  - El substrato o la estructura a la que se fije el dispositivo debe poder soportar las cargas estáticas especificadas para el dispositivo en las orientaciones permitidas en las instrucciones del usuario o en las instrucciones de instalación.
  - No exceda el número de usuarios permitidos.
  - Nunca trabaje bajo una carga o un trabajador suspendidos.
  - Tenga precaución al instalar, usar y trasladar el dispositivo, ya que las partes móviles pueden crear posibles puntos de enganche. Consulte las instrucciones del usuario.
  - Asegúrese de que se han seguido los procedimientos de bloqueo/etiquetado aplicables adecuados.
  - No se conecte nunca a un sistema hasta que esté posicionado, completamente montado, ajustado e instalado. No ajuste el sistema cuando haya un usuario conectado.
  - Conecte solo subsistemas de protección contra caídas en el punto conector de anclaje designado del dispositivo.
  - Antes de taladrar o ajustar, asegúrese de que no hay cables eléctricos, tuberías de gas u otros sistemas críticos que puedan entrar en contacto con el taladro o el dispositivo.
  - Asegúrese de que los sistemas/subsistemas de protección contra caídas conectados con componentes hechos por distintos fabricantes son compatibles y cumplen los requisitos de las normas aplicables, incluyendo los ANSI Z359 u otros códigos, normas o requisitos de protección contra caídas aplicables. Consulte siempre con personal cualificado o competente antes de usar estos sistemas.
- **Para reducir los peligros asociados con el trabajo en altura que, si no se evitan, pueden provocar lesiones graves o la muerte:**
  - Asegúrese de que su salud y condición física le permiten resistir con seguridad todas las fuerzas asociadas con el trabajo en altura. Consulte con su médico si tiene alguna pregunta con respecto a su capacidad para utilizar este equipo.
  - Nunca exceda la capacidad de carga de su equipo de protección contra caídas.
  - Nunca exceda la distancia máxima de caída libre de su equipo de protección contra caídas.
  - No utilice ningún equipo de protección contra caídas que haya fallado antes de usarse o no haya pasado otras inspecciones programadas, o si tiene dudas sobre el uso o la idoneidad del equipo para su aplicación. Póngase en contacto con los servicios técnicos de 3M si tiene cualquier pregunta.
  - Algunas combinaciones de subsistemas y componentes pueden perjudicar el funcionamiento del equipo. Use solo conectores compatibles. Consulte con 3M antes de emplear este equipo con componentes o subsistemas distintos de los descritos en las instrucciones para el usuario.
  - Extrema la precaución cuando se encuentre alrededor de maquinaria en movimiento (p. ej., mecanismos de activación superiores de plataformas petrolíferas), cuando existan riesgos eléctricos, temperaturas extremas, peligros químicos, gases explosivos o tóxicos, bordes afilados o materiales que se encuentren por encima de usted y que podrían caer sobre usted o sobre el equipo de protección contra caídas.
  - Use dispositivos para trabajos en caliente o arco eléctrico cuando trabaje en ambientes a altas temperaturas.
  - Evite superficies y objetos que puedan dañar al usuario o al equipo.
  - Asegúrese de que haya una distancia de caída adecuada cuando trabaje en altura.
  - Nunca modifique o altere su equipo de protección contra caídas. Sólo 3M o las partes autorizadas por escrito por 3M pueden reparar el equipo.
  - Antes de usar el equipo de protección contra caídas, asegúrese de que existe un plan de rescate que permita un rápido rescate si se produce un incidente de caída.
  - Si hubiese un incidente de caída, busque atención médica inmediatamente para el trabajador que se haya caído.
  - No utilice un cinturón corporal para las aplicaciones de detención de caídas. Use sólo un arnés de cuerpo completo.
  - Trabaje en un lugar situado lo más directamente posible por debajo del punto de anclaje para minimizar la posibilidad de caídas con balanceo.
  - Si se está formando con este dispositivo, se debe utilizar un sistema de protección contra caídas secundario de manera que no exponga al aprendiz a un riesgo de caída involuntaria.
  - Lleve siempre el equipo de protección individual apropiado cuando instale, use o inspeccione el dispositivo/sistema.

Antes de instalar y utilizar este equipo, registre la información de identificación del producto indicada en la etiqueta de identificación en el "Registro de inspección y mantenimiento" al final de este manual.

Asegúrese de utilizar siempre la última revisión de su manual de instrucciones de 3M. Visite el sitio web de 3M o póngase en contacto con el Servicio Técnico de 3M para obtener los manuales de instrucciones actualizados.

## DESCRIPCIÓN DEL PRODUCTO:

La Figura 1 ilustra el Cabrestante de Serie Digital DBI-SALA™ de 3M™. Los Cabrestantes de Serie Digital se emplean para posicionamiento de trabajo, desplazamiento de personal, manejo de materiales, protección en escalada, rescate y evacuación. Estos modelos de cabrestante se deben usar con un trípode de protección contra caídas de 3M, un brazo pescante u otra estructura de soporte, y se pueden usar en situaciones en las que el personal o los materiales deban subirse o bajarse hasta 88 m (290 ft). La Figura 2 ilustra los componentes del cabrestante digital y el cabrestante de alimentación continua.

**A. Posicionamiento de trabajo:** Entre sus aplicaciones, se incluye la suspensión de un trabajador en un asiento de trabajo o arnés. En cuanto al empleado suspendido, se le debe añadir un sistema de detención de caídas de respaldo.

**B. Desplazamiento de personal:** En trabajos de nivel, el cabrestante no sirve de soporte para el trabajador. Se debe añadir un sistema de detención de caídas de respaldo al empleado mientras está montado en el cabrestante.

**C. Rescate y evacuación:** Se utiliza para elevar o bajar a un trabajador en peligro o lesionado y para rescate del personal. Entre sus aplicaciones, incluye la función de entrada a espacios confinados con y sin permiso. En situaciones de rescate o evacuación, use un sistema de detención de caídas de respaldo.

**D. Protección de escalada:** Se utiliza para proteger a un trabajador que asciende o desciende por una escalera fija o una estructura similar. El uso de este cabrestante debe estar restringido a estructuras en las que no sean factibles otros medios de protección para escalada, como los sistemas de seguridad de escaleras instalados de forma permanente o los sistemas personales de detención de caídas. Para este uso, se deben cumplir las siguientes condiciones:

- La escalera o escalones han de estar en buenas condiciones y permitir un ascenso recto y continuo.
- El trabajador que sube la escalera ha de llevar un arnés de cuerpo completo y la cuerda del cabrestante debe estar conectada a la anilla en D (posterior) dorsal del arnés.
- El operador del cabrestante ha de estar capacitado y ser competente en el manejo del cabrestante.
- No se permite que se desarrolle una cuerda de holgura cuando el trabajador suba o baje la escalera.
- Las cuerdas de seguridad de absorción de energía deben conectarse entre la anilla en D dorsal del arnés y la cuerda del cabrestante.

**Tabla 1 – Especificaciones**

Especificaciones del sistema:	
<b>Capacidad</b>	La carga máxima de trabajo para este producto es de una persona con un peso máximo combinado (incluyendo herramientas, ropa y equipo) de 204 kg (450 lb).
<b>Material de revestimiento</b>	Aluminio fundido con acabado en pintura en polvo
<b>Material de la cuerda de sustento</b>	5 mm (3/16 pulg.) de acero inoxidable 6 mm (1/4 pulg.) de acero inoxidable 5 mm (3/16 pulg.) de acero galvanizado 6 mm (1/4 pulg.) de cuerda technora 12 mm (1/2 pulg.) de cuerda kernmantle
<b>Requisitos de montaje (consulte la figura 7)</b>	Configuración del lado derecho (A): El cable se alimenta de la parte inferior con un 775 ft-lb. (1.051 N*m) momento de carga y 3100 lb*f (14 kN) en la dirección de tracción.  Configuración de mano izquierda (B): El cable se alimenta desde la parte superior con una carga de momento de 3194 N*m (2356 ft-lb) y de 14 kN (3100 lb*f) en la dirección de tracción.
Cabestrante digital	
Referencia de la figura 2	Componente
(A)	Cabrestante
(B)	Eje de la unidad primaria. Relación de reducción 4:1
(C)	Eje de la unidad secundaria. Relación de reducción de 9:1
(D)	Resorte de la cuerda de retención
(E)	Asa de transporte
(F)	Bujes de accionamiento manual
(G)	Brazo de biela desmontable
(H)	Placa de montaje universal



**Tabla 1 – Especificaciones**

<b>Cabrestante de alimentación continua:</b>	
<b>Referencia de la figura 2</b>	<b>Componente</b>
Ⓝ	Manivela extraíble
Ⓚ	Polea superior
Ⓛ	Espaciador
Ⓜ	Rodillo superior

**Dimensiones (consulte la figura 15)**

**A:** Cabrestante serie 100, cabrestante de alimentación continua (8514602)

**B:** Cabrestante serie 200

**C:** Cabrestante serie 300

<b>Serie</b>	<b>Modelo</b>	<b>Longitud de la cuerda de sustento</b>	<b>Amarre de cables</b>	<b>Peso</b>
<b>A</b>	8518567	18 m (60 ft)	Acero galvanizado	13,8 kg (30,5 lb)
	8518565	18 m (60 ft)	Acero inoxidable	13,8 kg (30,5 lb)
	8518571	18 m (60 ft)	Cuerda Technora	12,2 kg (27 lb)
	8518560	18 m (60 ft)	Acero galvanizado	13,8 kg (30,5 lb)
	8518558	18 m (60 ft)	Acero inoxidable	13,8 kg (30,5 lb)
	8518564	18 m (60 ft)	Cuerda Technora	12,2 kg (27 lb)
	8518568	27 m (90 ft)	Acero galvanizado	14,7 kg (32,5 lb)
	8518566	27 m (90 ft)	Acero inoxidable	14,7 kg (32,5 lb)
	8518561	27 m (90 ft)	Acero galvanizado	14,7 kg (32,5 lb)
<b>B</b>	8518559	27 m (90 ft)	Acero inoxidable	14,7 kg (32,5 lb)
	8518588	42 m (140 ft)	Acero galvanizado	18,4 kg (40 lb)
	8518586	42 m (140 ft)	Acero inoxidable	18,4 kg (40 lb)
	8518581	42 m (140 ft)	Acero galvanizado	18,4 kg (40 lb)
	8518579	42 m (140 ft)	Acero inoxidable	18,4 kg (40 lb)
	8518589	58 m (190 ft)	Acero galvanizado	19,4 kg (43 lb)
	8518587	58 m (190 ft)	Acero inoxidable	19,4 kg (43 lb)
<b>C</b>	8518582	58 m (190 ft)	Acero galvanizado	19,4 kg (43 lb)
	8518580	58 m (190 ft)	Acero inoxidable	19,4 kg (43 lb)
	8518610	73 m (240 ft)	Acero galvanizado	22,6 kg (50 lb)
	8518608	73 m (240 ft)	Acero inoxidable	22,6 kg (50 lb)
	8518603	73 m (240 ft)	Acero galvanizado	22,6 kg (50 lb)
	8518601	73 m (240 ft)	Acero inoxidable	22,6 kg (50 lb)
	8518611	88 m (290 ft)	Acero galvanizado	19,5 kg (53,5 lb)
	8518609	88 m (290 ft)	Acero inoxidable	19,5 kg (53,5 lb)
<b>Cabrestante de alimentación continua</b>	8518604	88 m (290 ft)	Acero galvanizado	19,5 kg (53,5 lb)
	8518602	88 m (290 ft)	Acero inoxidable	19,5 kg (53,5 lb)
	8514602	-----	12 mm (1/2 pulg.) de cuerda kernmantle	14,6 kg (32,2 lb)

**1 Capacidad:** El intervalo de capacidad requerido por ANSI es de 140 kg (310 lb). Este producto ha sido probado hasta una capacidad máxima de 204 kg (420 lb) por OSHA.

**2 Persona cualificada:** una persona debidamente cualificada o con certificación profesional y experiencia suficiente en sistemas de protección contra caídas. Estas personas deberán ser capaces de diseñar, analizar, evaluar y especificar sistemas de protección contra caídas.

## 1.0 APLICACIÓN DEL PRODUCTO

**1.1 OBJETIVO:** Los malacates de 3M se aseguran a los sistemas de detención de caídas de 3M y permiten que estos sistemas se utilicen para otras aplicaciones. Los cabrestantes 3M están diseñados para usarse como parte de un sistema de posicionamiento de trabajo o de rescate. En la figura 1, se ilustran los modelos de SRL tratados en este manual de instrucciones. Dependiendo del modelo de cabrestante, las aplicaciones del sistema también pueden incluir manejo de materiales, conducción de personal y escalada. Para obtener más información sobre las aplicaciones del sistema, consulte la tabla 1.

*Nunca use cabrestantes 3M como dispositivos principales de detención de caídas en un sistema de detención de caídas.*

**1.2 NORMATIVA:** Su producto cumple las normas nacionales o regionales identificadas en la portada de estas instrucciones. Si se revende este producto fuera del país de destino original, el revendedor debe proporcionar estas instrucciones en el idioma del país en donde se vaya a utilizar el producto.

**1.3 SUPERVISIÓN:** El uso de este equipo lo debe supervisar una persona competente.<sup>1</sup> La instalación de este equipo la debe supervisar personal cualificado<sup>2</sup>

**1.4 FORMACIÓN:** La instalación y el uso de este equipo deberán correr a cargo de personas que hayan recibido formación sobre su correcta aplicación. Estas instrucciones han de utilizarse como parte de cualquier programa de formación de empleados exigido conforme a normas nacionales, regionales o locales. Es responsabilidad de los usuarios y los instaladores de este equipo familiarizarse con las presentes instrucciones; haber recibido formación en cuanto al cuidado y uso correctos de este; y conocer las características de funcionamiento, las limitaciones de uso y las consecuencias del uso indebido del mismo.

**1.5 PLAN DE RESCATE:** Al utilizar este equipo y los subsistemas de conexión, el empleador debe contar con un plan de rescate y los medios necesarios para llevarlo a término e informar de dicho plan a los usuarios.<sup>3</sup>, personas autorizadas<sup>4</sup>, y rescatadores.<sup>5</sup> Se recomienda tener en el centro un equipo de rescate con formación. Se deben proporcionar a los miembros del equipo las técnicas y el equipo necesarios para llevar a cabo un rescate con éxito. Se debe proporcionar de forma periódica formación a los responsables del rescate para garantizar su competencia. Los rescatadores deben recibir estas instrucciones. Debe haber contacto visual o medios de comunicación con la persona rescatada en todo momento durante el proceso de rescate.

**1.6 DISTANCIA DE CAÍDA:** Al determinar la distancia de caída necesaria para un sistema de detención de caídas, se debe tener en cuenta cada componente del sistema de detención de caídas. Debe haber una distancia de caída suficiente para detener la caída antes de que el usuario llegue al suelo o se golpee con otro obstáculo. Para obtener más información sobre el cálculo del espacio libre de caída, consulte las instrucciones del fabricante incluidas con su subsistema de conexión.

**1.7 CAÍDAS POR BALANCEO:** Las caídas por balanceo se pueden producir cuando el punto de anclaje no está directamente por encima del punto donde se produce una caída (consulte la figura 4). La fuerza del golpe contra un objeto en una caída por balanceo puede causar lesiones graves o mortales. No permita que ocurra una caída por balanceo si pudiera ser causa de lesiones. Trabaje en un lugar situado lo más directamente posible por debajo del punto de anclaje para minimizar la posibilidad de caídas con balanceo. El espacio libre de caída requerido (FC) del usuario aumenta a medida que aumenta el radio de trabajo del usuario (W), ya que la distancia total de caída será mayor que si el usuario hubiera caído directamente debajo del punto de anclaje.

**1.8 DESPUÉS DE UNA CAÍDA:** Si el producto se ha utilizado para detener una caída o se ha sometido a una fuerza de impacto, retire el dispositivo del servicio de inmediato. Coloque una etiqueta que indique claramente «NO UTILIZAR». Consulte la sección 5 para obtener información.

## 2.0 REQUISITOS DEL SISTEMA

**2.1 ANCLAJE:** Los requisitos de anclaje varían con la aplicación de la protección contra caídas. La estructura sobre la que se monta el equipo debe cumplir las especificaciones de anclaje definidas en la tabla 1.

**2.2 CAPACIDAD:** La capacidad del usuario de un sistema completo de protección contra caídas está limitada por su componente de capacidad máxima nominal más baja. Por ejemplo, si su subsistema de conexión tiene una capacidad menor que su arnés, debe cumplir con los requisitos de capacidad de su subsistema de conexión. Consulte las instrucciones del fabricante de cada componente de su sistema para conocer los requisitos de capacidad.

**2.3 PELIGROS MEDIOAMBIENTALES:** El uso de este equipo en zonas con peligros en el entorno puede requerir precauciones adicionales para evitar que se produzcan lesiones o daños materiales. Algunos de los peligros son, entre otros: el calor, los agentes químicos, los ambientes corrosivos, cuerdas de alta tensión, gases explosivos o tóxicos, maquinaria en movimiento y bordes afilados, o bien materiales que puedan caer y golpear al usuario o el equipo. Póngase en contacto con los servicios técnicos de 3M para obtener más aclaraciones.

**1 Persona competente:** persona capaz de identificar peligros existentes y predecibles en el entorno o condiciones de trabajo insalubres, nocivas o peligrosas para los empleados y que cuenta con autorización para tomar medidas correctivas rápidas conducentes a su supresión.

**2 Persona cualificada:** persona con título, certificado o prestigio profesional reconocido, o que con un amplio conocimiento, formación y experiencia haya demostrado con éxito su capacidad para solucionar o resolver problemas relacionados con la protección contra caídas y sistemas de rescate en la medida requerida por regulaciones nacionales, regionales y locales aplicables.

**3 Usuario:** persona que realiza actividades mientras está protegido por un sistema de protección contra caídas.

**4 Persona autorizada:** Una persona asignada por el empleador para realizar tareas en una ubicación donde estará expuesto a riesgo de caída.

**5 Rescatador:** Una persona que usa el sistema de rescate para realizar un rescate asistido.

- 2.4 PELIGROS DE LA CUERDA DE SUSTENTO:** Asegúrese de que la cuerda de sustento se mantenga libre de todos los peligros, incluidos, entre otros: enredos con usuarios, otros trabajadores, maquinaria en movimiento, otros objetos circundantes o impacto de objetos elevados que podrían caer sobre la cuerda de sustento o los usuarios.
- 2.5 BORDES AFILADOS:** Evite utilizar este equipo cuando los componentes del sistema puedan entrar en contacto con bordes afilados y superficies abrasivas sin protección, o desgastarse contra ellos. Todos los bordes afilados y superficies abrasivas deben cubrirse con material protector cuando el contacto sea inevitable.
- 2.6 COMPATIBILIDAD DE LOS COMPONENTES:** El equipo de 3M ha sido diseñado para utilizarse únicamente con componentes y subsistemas aprobados por 3M. Las sustituciones o los reemplazos que se hagan con componentes o subsistemas no aprobados pueden poner en peligro la compatibilidad del equipo y afectar a la seguridad y la fiabilidad de todo el sistema.
- 2.7 COMPATIBILIDAD DE LOS CONECTORES:** Los conectores se consideran compatibles con los elementos de conexión cuando, sin importar cómo queden orientados, se han diseñado para funcionar en conjunto de manera que sus tamaños y formas no provoquen que sus mecanismos de apertura se abran inesperadamente. Póngase en contacto con 3M si tiene alguna duda sobre compatibilidad.
- Los conectores (ganchos y mosquetones) deben poder sostener al menos 22,2 kN (5000 lbf). Los conectores deben ser compatibles con el anclaje y los demás componentes del sistema. No utilice equipos que no sean compatibles. Los conectores no compatibles pueden desengancharse de manera accidental (consulte la figura 5). Los conectores deben ser compatibles en tamaño, forma y resistencia. Si el elemento conector al que se acopla un mosquetón con cierre automático o un mosquetón es más pequeño de lo normal o tiene forma irregular, puede suceder que el elemento conector ejerza una fuerza sobre el mecanismo de apertura de cualquiera de tales mosquetones (A). Esta fuerza puede hacer que el mecanismo de apertura se abra (B), permitiendo así que el mosquetón con cierre automático o el mosquetón se desenganchen del punto de conexión (C).
- 2.8 REALIZACIÓN DE CONEXIONES:** Los mosquetones con cierre automático y mosquetones que haya que usar con este equipo deben ser de autobloqueo. Asegúrese de que todas las conexiones sean compatibles en tamaño, forma y resistencia. No utilice equipos que no sean compatibles. Asegúrese de que todos los conectores estén totalmente cerrados y bloqueados.
- Los conectores 3M (mosquetones con cierre automático y mosquetones) están diseñados para usarse solo como se indica en las instrucciones del usuario del producto. Consulte la figura 6 para ver ejemplos de conexiones incorrectas. No conecte mosquetones con cierre automático o mosquetones:
- A. A una anilla en D que tenga otro conector acoplado.
  - B. De manera que suponga una carga sobre el mecanismo de apertura. Los ganchos de seguridad grandes no deben conectarse a anillas en D de tamaño estándar u objetos similares, ya que supondrá una carga sobre el mecanismo de apertura si el gancho o la anilla en D se tuercen o giran, a menos que el gancho de seguridad cuente con un mecanismo de apertura de 16 kN (3600 lbf). Compruebe las marcas del mosquetón con cierre automático para verificar que es adecuado para su aplicación.
  - C. En un acoplamiento en falso, los elementos que sobresalen desde el gancho con cierre automático o el mosquetón se enganchan al anclaje y, sin confirmación visual, parecen estar bien acoplados al punto de anclaje.
  - D. Entre sí.
  - E. Directamente con una cincha, eslinga de cuerda o de autoamarre (a menos que en las instrucciones del fabricante, tanto para la eslinga como para el conector, se permita tal conexión).
  - F. A cualquier objeto con forma o dimensión tal que el mosquetón con cierre automático o mosquetón no se cierre ni se bloquee, o que pueda soltarse.
  - G. De modo que el conector no quede correctamente alineado mientras está soportando carga.

### 3.0 INSTALACIÓN

**3.1 PLANIFICACIÓN:** Planifique su sistema de protección contra caídas antes de instalar el Cabrestante Digital. Tenga en cuenta todos los factores que podrían afectar a su seguridad antes, durante y después de una caída. Considere todos los requisitos, limitaciones y especificaciones que se definen en la sección 2 y en la tabla 1.

### 3.2 INSTALACIÓN DEL CABRESTANTE EN BRAZO PESCANTE O TRÍPODE:

**INSTALACIÓN DEL CABRESTANTE:** Consulte la figura 8.

Paso 1: Instale el cabrestante en la estructura del soporte insertando el extremo ranurado del soporte de montaje rápido en el pasador fijo (A) en el soporte de montaje.

Paso 2: Gire el cabrestante hacia arriba para alinear los orificios en los soportes de montaje.

Paso 3: Inserte el pasador de bloqueo (B) a través de los orificios que sujetan el cabrestante a la estructura del soporte.

**Las poleas direccionales de las cuerdas deben tener un diámetro mínimo de la banda de rodadura de 6,4 cm (2,5 pulgadas).**

### 3.3 USO DEL CABRESTANTE:

**A. CONEXIÓN DE LA CUERDA DEL CABRESTANTE A UNA CARGA:** Consulte la figura 10. A: Cuerda de cabrestante, B: Cuerda de seguridad tipo Y, C: Cuerda de sustento secundaria, D: Anilla en D para el hombro, E: Anilla en D posterior, F: Adaptador de amarre, G: Carga de material. Para los usos que no requieren un PFAS secundario, la cuerda del cabrestante se debe conectar a la anilla en D posterior del arnés del trabajador. Para los usos que requieren un PFAS secundario, la cuerda del cabrestante se debe conectar a un cordón de tipo Y y este cordón se debe conectar a las anillas en D del arnés del trabajador. La cuerda de sustento secundaria se debe conectar a la anilla D posterior del arnés del trabajador. Para su uso en el manejo de materiales, conecte la cuerda del cabrestante a la carga utilizando un adaptador de amarre u otro dispositivo de anclaje.

**B. USO DEL CABRESTANTE DIGITAL:** Conecte el cabrestante a la estructura de soporte como se describe en la sección 3.4. Instale la manija de la manivela del cabrestante en el eje de la unidad 9:1 o 4:1 y empuje firmemente hacia adentro hasta que la lengüeta del resorte de la manija encaje en su lugar (la agarradera de la manija debe mirar hacia afuera).

Para quitar la manija de la manivela del eje, empuje hacia abajo la lengüeta con resorte y saque la manija del eje.

Alimente la cuerda del tambor del cabrestante girando la manija de la manivela en dirección descendente (hacia la izquierda). Aplicar alrededor de 4,5 kg (10 lb) de tensión a la cuerda mientras se alimenta del tambor. Encamine la cuerda sobre el sistema de poleas de la estructura del soporte. Consulte las instrucciones de usuario de la estructura de soporte para el enrutamiento de cables.

**PARA LEVANTAR UNA CARGA:** Gire la manija de la manivela del cabrestante en dirección ascendente (hacia la derecha). Para sostener o suspender momentáneamente la carga, detenga el arranque. El freno automático sostendrá la carga en caso de que la manija se suelte. No exceda la capacidad nominal de 204 kg (450 lb).

**PARA BAJAR UNA CARGA:** Gire la manija de la manivela del cabrestante en dirección descendente (hacia la izquierda). Al bajar la cuerda sin carga, mantenga aproximadamente 4,5 kg (10 lb) de tensión para facilitar la operación y evitar el enredo de los cables.

**C. INDICADOR DE IMPACTO:** Consulte la figura 11. A: Mosquetón normal, B: Mosquetón de impacto, C: Banda roja que indica carga de impacto. El Cabrestante Digital se suministra con un gancho giratorio de conexión que incorpora un indicador de impacto. Este indicador funciona si el cabrestante tiene una grave sobrecarga por impacto o si la capacidad de elevación se excede en una cantidad predeterminada. Un gancho que haya estado sujeto a una carga de impacto mostrará una banda roja en el área de giro.

**D. RETIRADA DEL CABRESTANTE:** Desconecte la cuerda de sustento del arnés del trabajador o de la carga de material. Mantenga al menos una carga de 4,5 kg (10 lb) en la cuerda de sustento que enrolla esta al tambor. Retraiga la cuerda de sustento a través de la estructura del soporte. Continúe enrollando la cuerda de sustento en el tambor hasta que las férulas de cobre y el dedal entren en contacto con el tambor. Desconecte el cabrestante de la estructura de soporte.

**E. CUBO DE TALADRO ELÉCTRICO (CONSULTE LA FIGURA 9):** El 8512936 (A) opcional se puede conectar para subir y bajar al usuario con un taladro eléctrico (B) con un impulsor de 1/2 pulg. (12,7 mm) y un RPM máximo de 300 RPM del taladro. Consulte la IFU 5903667 para obtener más detalles.

**3.4 ACOPLAMIENTO DE LA CARGA:** Tire del mosquetón de seguridad mientras gira la manija en sentido contrario a las agujas del reloj para extender la cuerda de sustento hasta que haya cuerda suficiente para sujetar cómodamente al trabajador o la carga. Realice el acoplamiento lejos de la entrada para que no haya peligro de que el trabajador o la carga se caigan. Use las dos manos cuando enganche la cuerda de sustento; una mano mantiene la tensión en la cuerda de sustento, la otra para presionar la cerradura y abrir la compuerta en el mosquetón. Inserte el gancho en la anilla en D del arnés. Suelte la compuerta y asegúrese de que el mosquetón esté firmemente asegurado a la anilla en D.

### 3.5 INTEGRIDAD DEL SISTEMA:

Verifique la integridad del acoplamiento y del sistema de soporte de la siguiente manera:

**A.** Gire la manija del cabrestante en dirección ascendente hasta que la cuerda quede ajustada. El trabajador debe transferir lentamente su peso al arnés y la cuerda de sustento hasta que pueda levantar ambos pies del suelo.

**B.** Asegúrese de que el cabrestante mantenga al trabajador en una posición estacionaria. Regule también el ajuste del arnés en este momento para que no se pinche, roce o se enganche.

**No utilice el cabrestante para levantar o bajar a más de una persona por viaje. La capacidad máxima de elevación es de 204 kg (450 lb - 2,0 Kn).**

**3.6 DESCENSO DE UN TRABAJADOR:** El asistente debe girar la manija del cabrestante en sentido contrario a las agujas del reloj para el uso de la cuerda del cabrestante. El asistente debe mantener una mano enguantada en la cuerda de sustento mientras se extiende para mantener una ligera tensión en la cuerda del cabrestante.

Si la cuerda se tensa o se afloja durante su uso, comuníquese con el trabajador suspendido para determinar si existe algún problema. Corrija antes de proceder.

**Si la tensión de la cuerda disminuye durante el descenso, puede que la persona que desciende haya alcanzado un nivel de trabajo o una obstrucción. No continúe con el arranque sin comunicarse con la persona o revisar el material que se está bajando. Mantenga siempre firme la tensión de la cuerda. Una cuerda floja podría causar una caída.**

Mientras un trabajador está suspendido, mantenga el ángulo de la cuerda de sustento a un máximo de 5 grados respecto a la vertical. El trabajador puede lesionarse seriamente en una caída a más de 5 grados. Si el trabajador no está suspendido y no hay posibilidad de caída, el asistente puede usar cuerda suficiente [0,6 m máx. (2 ft)] para que el trabajador pueda trabajar cómodamente. El asistente debe sujetar la cuerda de forma que siempre haya una ligera tensión. Se debe mantener una comunicación constante entre el trabajador y el asistente.

**Los últimos 3 metros (10 ft) de la cuerda de sustento tienen un marcador rojo y no deben desenrollarse del tambor. Esta longitud proporciona la envoltura requerida en el tambor para anclar adecuadamente la cuerda de sustento y garantiza que la dirección de la cuerda sea la correcta. Se debe dejar de extender la cuerda de sustento cuando el marcador esté en rojo. La cuerda de sustento debe enrollarse en el tambor girando la manivela en la dirección "ascendente" (hacia la izquierda) solamente. Verifique periódicamente que la cuerda de sustento se enrolla uniformemente en el tambor. Use guantes cuando maneje la cuerda de sustento.**

**3.7 RECUPERACIÓN DE UN TRABAJADOR:** Comuníquese con el trabajador cuando se prepare para recuperarlo y mantenga la comunicación durante todo el procedimiento. Coloque la manivela en el eje de transmisión 4:1 o 9:1 según corresponda para mantener la fuerza de giro en un rango cómodo. Retraiga la cuerda de sustento y recupere al trabajador. Mantenga un ritmo de recuperación uniforme. Si la carga giratoria de la manija del cabrestante aumenta repentinamente, deténgase e investigue. Determine la causa y corrija el problema antes de continuar. Tras la recuperación, apoye la carga o el trabajador y desconecte la cuerda de sustento.

**3.8 FRENO DE INERCIA:** El Cabrestante Digital está diseñado con un freno que está constantemente enganchado y que sostendrá una carga suspendida cada vez que se suelte la manivela. El freno está compuesto por tres trinquetes independientes. Los tres trinquetes tendrían que quedar inoperativos para que el freno primario fallara. El cabrestante tiene un freno de inercia secundario en caso de que el freno primario falle. Si fallara el freno primario, el cabrestante giraría libremente hasta que el freno de inercia se activara y detuviera la cuerda. No se despliega más de 1 m (3 ft) de la cuerda antes de que se accione el freno de inercia.

**3.9 RECUPERACIÓN PARA MANO IZQUIERDA:** El Cabrestante Digital se puede ajustar para que funcione para realizar la recuperación con la mano izquierda. Para realizar este ajuste, retire el resorte de retención de la cuerda y conéctelo al orificio en el otro extremo de la placa de montaje utilizando el mismo equipo. Retire el asa de transporte quitando los dos tornillos que lo sujetan al cabrestante y vuelva a colocarlo en el otro extremo del cabrestante. Use un cierre de rosca extraíble como Loctite 242 para asegurar todos los sujetadores. El cabrestante ahora se montará en los soportes de montaje con el asa en el lado izquierdo del cabrestante.

**La cuerda saldrá de la parte superior del tambor en la configuración para mano izquierda, cambiando los requisitos de carga momentáneos. Consulte la tabla 1.**

**3.10 INSTALACIÓN DE LA CUERDA:** El cabrestante de alimentación continua puede sujetar cuerdas kernmantle de 12 mm (1/2 in) de diámetro de longitudes variadas. Los procedimientos de instalación variarán en función de si la cuerda termina con un mosquetón en un extremo.

**Después de introducir la cuerda en el cabrestante de alimentación continua, puede ser necesario aplicar tensión al extremo libre de la cuerda mientras se levanta una carga para asentar completamente la cuerda en el tambor.**

**Asegúrese siempre de que haya suficiente longitud en la cuerda para usar el cabrestante de manera segura sin quedarse sin longitud de cuerda.**

**SIN MOSQUETÓN:** La cuerda sin mosquetón se puede introducir en el cabrestante de alimentación continua desde cualquier extremo, dependiendo de la cantidad de cuerda utilizada:

**INSTALACIÓN DESDE EL PRINCIPIO DE LA CUERDA:** Consulte la figura 13.

Paso 1: Asegure el cabrestante de alimentación continua al anclaje adecuado (pata del trípode, brazo pescante, etc.).

Paso 2: Inserte el comienzo de la cuerda debajo del espaciador (13.1A) y entre el tambor y el rodillo superior (13.1B).

Paso 3: Guíe suavemente la cuerda en el cabrestante mientras gira la manija de la manivela en sentido contrario a las agujas del reloj. A medida que la cuerda pasa a través del cabrestante (figura 13.2), asegúrese de que salga del cabrestante por encima del espaciador (13.2A) y por debajo de la polea superior grande (13.2B). Es posible que sea necesario guiar la cuerda delante de la polea superior.

Paso 4: Continúe girando la manija y pase el extremo de la cuerda sobre la polea del sistema pescante o la guía de la cuerda.

**INSTALACIÓN DESDE EL EXTREMO DE LA CUERDA:** Consulte la figura 14.

Paso 1: asegure el cabrestante de alimentación continua al anclaje adecuado (pata del trípode, brazo pescante, etc.).

Paso 2: Inserte el extremo de la cuerda sobre el espaciador (14.1A) y entre el tambor y la polea superior grande (14.1B).

Paso 3: guíe suavemente la cuerda en el cabrestante mientras gira la manija de la manivela en sentido de las agujas del reloj. Cuando la cuerda pase a través del cabrestante (figura 14.2), asegúrese de que el extremo de la cuerda salga del cabrestante por debajo del espaciador (14.2A) y sobre el rodillo superior (14.2B). Es posible que sea necesario guiar la cuerda delante del espaciador (14.1A).

Paso 4: Continúe girando la manija de la manivela hasta que la cuerda cubra el rodillo superior y cuelgue del cabrestante.

**3.12 INSTALACIÓN DE LA CUERDA CON UN MOSQUETÓN** Al instalar una cuerda que termina con un mosquetón en un extremo, la cuerda debe pasar correctamente sobre cualquier estructura de anclaje (p. ej., polea o rodillo) y el extremo que no termina debe alimentarse a través del cabrestante de alimentación continua de la misma manera que en la "Instalación desde el extremo de la cuerda".

**3.13 EXTREMO DE LA CUERDA:** El extremo libre de la cuerda debe estar asegurado o debe tener un nudo atado para asegurar que el extremo libre de la cuerda no pase a través del cabrestante durante su uso.

#### 4.0 USO

**4.1 ANTES DE CADA USO:** Verifique que su área de trabajo y el sistema de protección contra caídas cumplan con todos los criterios definidos en estas instrucciones. Compruebe que exista un plan de rescate formal. Inspeccione el producto según los puntos de inspección del usuario definidos en "Registro de inspección y mantenimiento". Si la inspección pone de manifiesto una condición insegura o defectuosa, o si hay alguna duda sobre si está en condiciones para utilizarlo de forma segura, deje de utilizar el producto de inmediato. Coloque una etiqueta que indique claramente "NO UTILIZAR". Consulte la sección 5 para obtener información.

#### 5.0 INSPECCIÓN

**5.1 FRECUENCIA DE LAS INSPECCIONES:** El producto debe ser revisado por el usuario antes de cada uso y, además, por una persona competente que no sea el usuario en intervalos no superiores a un año. Si el equipo se utilizar con mayor frecuencia y este se usa en condiciones más duras, puede ser necesario aumentar la frecuencia de las inspecciones de la persona competente. La frecuencia de estas inspecciones debe ser determinada por la persona competente según las condiciones específicas del lugar de trabajo.

**5.2 PROCEDIMIENTOS DE INSPECCIÓN:** Inspeccione el producto según los procedimientos definidos en "Registro de inspección y mantenimiento". El propietario de este equipo debe conservar la documentación de cada inspección. Se debe colocar un registro de inspección y mantenimiento cerca del producto o en otro punto que sea de fácil acceso para los usuarios. Se recomienda que este producto esté marcado con la fecha de la próxima o última inspección.

**Cada 10.000 ciclos o cada 5 años.:** Se recomienda que las operaciones de mantenimiento del cabrestante se realicen en un centro de servicio técnico autorizado por el fabricante o por el propio fabricante. Unas condiciones de trabajo extremas pueden requerir que el mantenimiento se realice con mayor frecuencia. El mantenimiento anual puede incluir, entre otras cosas, una inspección exhaustiva y una limpieza de todos los componentes internos y externos. Si no se lleva a cabo un mantenimiento adecuado, se puede reducir considerablemente la vida útil del producto y su rendimiento puede verse afectado.

**5.3 DEFECTOS:** Si la inspección revela una condición poco segura o defectuosa, deje de usar el trípode de inmediato y póngase en contacto con 3M para repararlo o sustituirlo. No intente reparar el sistema de detención de caídas.

**Solo reparaciones autorizadas:** Solo 3M o las partes autorizadas por escrito pueden reparar este equipo.

**5.4 VIDA ÚTIL DEL PRODUCTO:** La vida útil del sistema de detención de caídas viene determinada por las condiciones de trabajo y su mantenimiento. El producto puede seguir utilizándose siempre que cumpla con los criterios de inspección.

#### 6.0 MANTENIMIENTO, REPARACIONES y ALMACENAMIENTO


**6.1 LIMPIEZA:** Limpie los componentes de metal del cabrestante digital periódicamente con un cepillo suave, agua templada y una solución de jabón suave. Asegúrese de enjuagar perfectamente las piezas con agua limpia.

**6.2 SERVICIO:** Solo 3M o las organizaciones autorizadas por escrito por 3M pueden reparar este equipo. Si el cabrestante digital se ha visto sometido a una caída forzada, o si la inspección revela una condición poco segura o defectuosa, deje de usar el sistema de inmediato y póngase en contacto con 3M para su sustitución o reparación.

**6.3 ALMACENAMIENTO Y TRANSPORTE:** Cuando no esté en uso, guarde y transporte el trípode y el equipo de protección contra caídas correspondiente en un entorno fresco, seco y limpio, alejado de la luz solar directa. Evite las zonas donde pueda haber vapores químicos. Inspeccione exhaustivamente los componentes después de un período prolongado de almacenamiento.

#### 7.0 ETIQUETAS Y MARCAS

En la figura 16, se ilustran las etiquetas del cabrestante digital. Si las etiquetas no son totalmente legibles, deben sustituirse. La información de las etiquetas es la siguiente:

A	 Lea todas las instrucciones. 1) Año y mes de fabricación 2) Número de lote 3) Modelo 4) Dimensiones de altura
B	10 000 ciclos
C	Etiqueta de instrucción del cabrestante digital

**Tabla 2 – Registro de inspección y mantenimiento**

Fecha de la inspección:		Inspeccionado por:		
Componentes:	Inspección: (Consulte <i>Frecuencia de las inspecciones</i> en la sección 5).	Usuario	Persona calificada <sup>1</sup>	
Cabrestante digital (figura 2)	Inspeccione todos los tornillos, pernos y tuercas. Asegúrese de que estén bien sujetos y apretados. Compruebe si falta algún perno, tuerca u otro tipo de pieza, o si se han sustituido o modificado de algún modo. Inspeccione cubiertas y carcasas. Asegúrese de que no tengan grietas, abolladuras, fisuras u otros desperfectos.	<input type="checkbox"/>	<input type="checkbox"/>	
Etiquetas (figura 15)	Verifique que todas las etiquetas de seguridad estén correctamente fijadas y sean legibles.	<input type="checkbox"/>	<input type="checkbox"/>	
Equipo de protección contra caídas	Los equipos adicionales de protección contra caídas que se usan con el sistema se deben instalar e inspeccionar según las instrucciones del fabricante.	<input type="checkbox"/>	<input type="checkbox"/>	
Tornillos de manivela	El brazo de manivela extraíble debe encajar en cada uno de los ejes de accionamiento y no debe tener fisuras, grietas ni otros desperfectos. Compruebe que cada asa del brazo de la manivela esté bien apretada. Si es necesario, utilice Loctite262 o un equivalente bloqueador de rosca en los tornillos del anclaje para mantenerlos bien apretados. No utilice el cabrestante a menos que el brazo de manivela esté completamente operativo.	<input type="checkbox"/>	<input type="checkbox"/>	
Gancho de conexión	El gancho de seguridad no debe estar dañado, roto, deformado, ni debe tener bordes afilados, rebabas, fisuras, partes desgastadas o corrosión. Asegúrese de que el gancho de seguridad funciona correctamente. El mecanismo de apertura del gancho debe moverse con libertad y bloquearse al cerrarse. El gancho debe girar con libertad.	<input type="checkbox"/>	<input type="checkbox"/>	
Indicación de desgaste de freno (figura 11A)	Inspeccione el indicador de desgaste de freno ubicado en el centro del concentrador de la unidad 4:1. Si el indicador se encuentra en la sección roja, deje de utilizar el cabestrante, quítelo y devuélvalo a 3M o a un centro de reparación autorizado.	<input type="checkbox"/>	<input type="checkbox"/>	
Contador digital (figura 11B)	Si el contador digital excede los 10 000 ciclos desde el último registro de mantenimiento realizado en la fábrica, anotado en el registro de inspecciones, devuelva el cabestrante a 3M o a un centro de reparación autorizado para su reparación.	<input type="checkbox"/>	<input type="checkbox"/>	
Defectos del cable metálico	Inspeccione toda la longitud del conjunto del cable metálico comenzando en el gancho. Lleve siempre guantes de protección cuando esté manipulando el cable metálico. Inspeccione los cables por si están rotos, pasando el cable metálico por sus manos protegidas con los guantes y flexionándolo cada pocos centímetros para que se vea cualquier posible rotura. Inspeccione para detectar torceduras, cortes, áreas quemadas y aplastadas, corrosión u otros daños. El cable metálico que tenga algún desperfecto serio debe ser retirado del servicio.	<input type="checkbox"/>	<input type="checkbox"/>	
Cable sintético:	Inspeccione cualquier zona en la que se concentre desgaste, hebras deshilachadas, hilos rotos, cortes o abrasiones. La cuerda no debe tener nudos, suciedad excesiva, gran acumulación de pintura ni manchas de óxido en toda su extensión. La cuerda no debe presentar daños producidos por rayos ultravioleta, indicados por un descoloramiento, ni debe haber briznas y astillas en la superficie del cabo. Se sabe que todos los factores anteriores reducen la resistencia de la cuerda. Cualquier cuerda que esté dañada o cuyo estado sea dudoso, debe ser sustituida en un centro de servicio técnico autorizado.	<input type="checkbox"/>	<input type="checkbox"/>	
Cuerda	Verifique que la cuerda esté completamente asentada en el tambor subiendo y bajando una carga de al menos 35 kg (100 lb). Si el cable se desliza durante esta operación, aplique tensión en el extremo libre de la cuerda mientras levanta la carga hasta que se elimine el deslizamiento.	<input type="checkbox"/>	<input type="checkbox"/>	

**1 Persona competente:** persona capaz de identificar peligros existentes y predecibles en el entorno o condiciones de trabajo insalubres, nocivas o peligrosas para los/las empleados/as y que cuenta con autorización para tomar medidas correctivas rápidas conducentes a su supresión.





# CONSIGNES DE SÉCURITÉ

**Veillez lire, comprendre et suivre toutes les consignes de sécurité contenues dans ces instructions avant d'utiliser ce dispositif d'accès à un espace confiné/dispositif de sauvetage. LE NON-RESPECT DE CES INSTRUCTIONS PEUT CAUSER DES BLESSURES GRAVES OU LA MORT.**

**Ces instructions doivent être transmises à l'utilisateur de cet équipement. Conservez ces instructions pour vous y référer ultérieurement.**

## Utilisation prévue :

Ce dispositif d'accès à un espace confiné/dispositif de sauvetage est conçu pour être utilisé comme élément d'un système antichute individuel ou d'un équipement de sauvetage complet.

Toute utilisation pour d'autres applications, y compris, mais sans s'y limiter, des applications de manutention de matériaux non approuvées, des activités de loisirs ou sportives, ou d'autres activités non décrites dans les instructions d'utilisation ou les instructions d'installation, n'est pas approuvée par 3M et pourrait entraîner des blessures graves ou mortelles.

Ce dispositif ne doit être utilisé que par des utilisateurs formés pour des applications sur le lieu de travail.



## AVERTISSEMENT

Ce dispositif d'accès à un espace confiné/dispositif de sauvetage fait partie d'un système antichute individuel ou d'un équipement de sauvetage complet. Tous les utilisateurs doivent être solidement formés à l'installation et au fonctionnement sécurisés du système complet. **Une mauvaise utilisation de ce dispositif pourrait entraîner des blessures graves ou être mortelle.** Pour ne faire aucune erreur dans la sélection, le fonctionnement, l'installation, la maintenance et l'entretien, suivez toutes les instructions fournies avec le produit et toutes les recommandations du fabricant, consultez votre superviseur ou contactez le service technique 3M.

- **Pour réduire les risques associés à l'utilisation d'un dispositif d'accès à un espace confiné/dispositif de sauvetage qui, s'ils ne sont pas évités, pourraient entraîner des blessures graves ou mortelles :**
  - Inspectez le dispositif avant chaque utilisation, au moins une fois par an, et après chaque chute. Procédez à l'inspection conformément aux instructions d'utilisation.
  - Si l'inspection effectuée fait apparaître un défaut ou un danger, retirez immédiatement le dispositif du service et réparez-le ou remplacez-le en respectant les instructions d'utilisation.
  - Si le dispositif a été soumis à des forces d'arrêt de chute ou d'impact, il doit être immédiatement mis hors service. Consultez les instructions d'utilisateur ou contactez le service de protection antichute 3M.
  - Le dispositif doit être installé uniquement de la manière décrite dans les instructions d'installation ou les instructions d'utilisation. Les installations et utilisations non conformes aux instructions doivent être approuvées en contactant par écrit le service de Protection antichute 3M.
  - Le substrat auquel ou la structure à laquelle le dispositif est fixé doit être capable de résister aux charges statiques spécifiées pour le dispositif dans les orientations autorisées indiquées dans les instructions d'utilisation ou les instructions d'installation.
  - Ne dépassez pas le nombre d'utilisateurs autorisés.
  - Ne travaillez jamais en dessous d'une charge ou d'un ouvrier suspendu.
  - Soyez vigilant(e) au cours de l'installation, de l'utilisation et du déplacement du dispositif, car les pièces en mouvement peuvent créer des points de pincement potentiels. Consultez le mode d'emploi.
  - Vérifiez que les procédures adéquates de verrouillage/d'étiquetage ont été appliquées.
  - Ne fixez jamais le dispositif à un système avant qu'il ne soit positionné, entièrement assemblé, ajusté et installé. N'ajustez pas le système lorsqu'un utilisateur y est attaché.
  - Ne reliez que les sous-systèmes de protection antichute au point du connecteur d'ancrage désigné sur le dispositif.
  - Avant de procéder au perçage ou à la fixation, vérifiez qu'aucune ligne électrique, conduite de gaz ou tout autre système critique intégré ne sera touché par la perceuse ou le dispositif.
  - Assurez-vous que les systèmes/sous-systèmes antichute assemblés avec des composants provenant de divers fabricants sont compatibles et respectent les exigences des normes applicables, y compris la norme ANSI Z359 ou d'autres codes, normes ou contraintes de protection contre les chutes. Consultez systématiquement une personne compétente ou qualifiée avant l'utilisation de ces systèmes.
- **Pour réduire les risques associés au travail en hauteur qui, faute de protection, peuvent entraîner des blessures graves ou mortelles :**
  - Assurez-vous que votre santé et votre condition physique vous permettent de supporter en toute sécurité les forces associées au travail en hauteur. Consultez votre médecin si vous avez des questions concernant votre aptitude à utiliser cet équipement.
  - Ne dépassez jamais les limites autorisées pour votre équipement antichute.
  - Ne dépassez jamais la distance de chute libre maximale de votre équipement antichute.
  - N'utilisez aucun équipement antichute qui n'a pas satisfait aux inspections avant utilisation ou aux autres inspections programmées, ou si vous avez des préoccupations concernant l'utilisation ou la compatibilité de l'équipement avec votre application. Contactez les services techniques de 3M si vous avez des questions.
  - Certaines combinaisons de sous-systèmes et de composants peuvent gêner le fonctionnement de cet équipement. Utilisez uniquement des raccords compatibles. Consultez 3M avant d'utiliser cet équipement conjointement avec des composants ou des sous-systèmes autres que ceux décrits dans les instructions d'utilisation.
  - Soyez particulièrement vigilant(e) lorsque vous travaillez autour de machines en mouvement (par exemple, les mécanismes d'entraînement par le haut des plates-formes pétrolières), en cas de risques électriques, de températures extrêmes, de risques chimiques, en présence de gaz explosifs ou toxiques, d'arêtes vives, ou de matériaux suspendus pouvant tomber sur vous ou sur l'équipement de protection antichute.
  - Utilisez des dispositifs de protection contre les arcs électriques ou conçus pour le travail à température élevée dans les environnements à chaleur intense.
  - Évitez les surfaces et les objets qui peuvent endommager l'utilisateur ou l'équipement.
  - Vérifiez que vous disposez d'une distance d'arrêt adaptée lorsque vous travaillez en hauteur.
  - Ne modifiez ni n'altérez jamais votre équipement antichute. Seul 3M ou les parties agréées par écrit par 3M peuvent réparer cet équipement.
  - Avant l'utilisation d'un équipement antichute, vérifiez qu'un plan de sauvetage est mis en place et qu'il permettra d'effectuer un sauvetage rapide si une chute se produit.
  - En cas de chute, faites immédiatement intervenir un médecin auprès du travailleur qui est tombé.
  - N'utilisez pas de ceinture de travail pour les applications de prévention des chutes. Utilisez uniquement un harnais intégral.
  - Réduisez le risque d'effets pendulaires en travaillant autant que possible directement sous le point d'ancrage.
  - Lors de la formation à l'utilisation de ce dispositif, vous devez utiliser un système antichute secondaire afin de ne pas exposer la personne formée à un risque de chute involontaire.
  - Portez toujours un équipement de protection individuelle approprié lors de l'installation, de l'utilisation ou de l'examen du dispositif/système.

Avant d'utiliser cet équipement, enregistrer les informations d'identification produit indiquées sur l'étiquette d'identification dans le journal d'inspection et d'entretien qui se trouve au dos du présent manuel.

S'assurer de toujours utiliser la dernière version de votre manuel d'instructions 3M. Visiter le site Web ou contacter le service technique de 3M pour obtenir les manuels d'instructions mis à jour.

### DESCRIPTION DU PRODUIT :

La Figure 1 illustre le treuil numérique 3M™ de série DBI-SALA™. Les treuils numériques sont utilisés comme dispositif de positionnement, harnais personnel, système de manutention, protection lors de l'ascension ou lors d'opérations de secours et d'évacuation. Ces modèles de treuil doivent être utilisés avec un trépied, un bras de bossoir ou une autre structure de support de protection contre les chutes 3M et peuvent être utilisés dans des situations où le personnel ou des matériaux doivent être soulevés ou abaissés jusqu'à 88 m (290 pi). La Figure 2 illustre les composants du treuil numérique et du treuil à alimentation continue.

**A. Dispositif de positionnement :** les applications comprennent la suspension d'un travailleur dans un siège de travail ou un harnais. Un dispositif antichute de secours doit être fixé à l'employé en suspension.

**B. Harnais personnel :** le travailleur n'est plus soutenu par le treuil une fois parvenu à la zone de travaux. Un dispositif antichute de secours doit être fixé à l'employé pendant que celui-ci est déplacé par le treuil.

**C. Dispositif de secours et d'évacuation :** utilisé pour soulever ou abaisser un travailleur en danger ou blessé ou pour secourir un travailleur. Les applications comprennent le travail dans un accès à un espace confiné autorisé et non autorisé. Dans les situations de secours ou d'évacuation, utiliser un dispositif antichute de secours.

**D. Protection lors d'une ascension :** utilisée pour protéger un travailleur qui monte sur une échelle fixe ou une structure similaire ou en descend. L'utilisation de ce treuil doit se limiter à des structures sur lesquelles il n'est pas possible d'installer d'autres moyens d'ascension ou de descente tels que des échelles de sécurité fixes ou un dispositif antichute personnel. Les conditions suivantes doivent être remplies dans le cadre de cette application :

- L'échelle ou les marches sont en bon état et permettent une ascension continue et en ligne droite.
- Le travailleur qui monte à l'échelle porte un harnais complet et le câble du treuil est attaché au D d'accrochage dorsal du harnais.
- L'opérateur du treuil a suivi une formation et sait l'utiliser.
- Aucun relâchement du câble n'est autorisé lorsque le travailleur monte sur l'échelle ou en descend.
- Des longes absorbant l'énergie doivent être connectées entre le D d'accrochage dorsal du harnais et le câble du treuil.

**Tableau 1 – Caractéristiques**

Caractéristiques du système :	
<b>Capacité</b>	La charge de service maximale pour ce produit est d'une personne avec un poids combiné maximum (y compris les outils, les vêtements et l'équipement) de 204 kg (450 lb).
<b>Matériau du boîtier</b>	Aluminium moulé avec finition peinture à revêtement
<b>Matériau de la ligne de vie</b>	Acier inoxydable 5 mm (3/16 po) Acier inoxydable 6 mm (1/4 po) Acier galvanisé 5 mm (3/16 po) Corde Technora 6 mm (1/4 po) Corde kernmantle de 12 mm (1/2 po)
<b>Exigences de montage (voir la Figure 7)</b>	Configuration du côté droit (A) : le câble passe par le bas avec une charge de moment de 1 051 N*m (775 lbf) et 14 kN (3 100 lb*f) dans le sens de la traction.  Configuration du côté gauche (B) : le câble passe par le haut avec une charge de moment de 3,194 N*m (2 356 lbf) et 14 kN (3 100 lb*f) dans le sens de la traction.

#### Treuil numérique

Référence de la Figure 2	Composant
(A)	Treuil
(B)	Moyeu entraîneur principal 4:1 Rapport de réduction
(C)	Moyeu entraîneur secondaire 9:1 Rapport de réduction
(D)	Ressort du dispositif de rétention du câble
(E)	Poignée de transport
(F)	Moyens entraîneurs manuels
(G)	Bras de manivelle amovible
(H)	Plaque de montage universelle

**Tableau 1 – Caractéristiques**

<b>Treuil à alimentation continue :</b>	
<b>Référence de la Figure 2</b>	<b>Composant</b>
ⓐ	Manivelle amovible
ⓑ	Poulie supérieure
ⓒ	Espaceur
ⓓ	Rouleau supérieur

**Dimensions (voir la Figure 15)**

**A:** Treuil de série 100, treuil à alimentation continue (8514602)

**B:** Treuil de série 200

**C:** Treuil de série 300

<b>Série</b>	<b>Modèle</b>	<b>Longueur de la ligne de vie</b>	<b>Type de câble</b>	<b>Poids</b>
<b>A</b>	8518567	18 m (60 pi)	Acier galvanisé	13,8 kg (30,5 lb)
	8518565	18 m (60 pi)	Acier inoxydable	13,8 kg (30,5 lb)
	8518571	18 m (60 pi)	Corde en Technora	12,2 kg (27 lb)
	8518560	18 m (60 pi)	Acier galvanisé	13,8 kg (30,5 lb)
	8518558	18 m (60 pi)	Acier inoxydable	13,8 kg (30,5 lb)
	8518564	18 m (60 pi)	Corde en Technora	12,2 kg (27 lb)
	8518568	27 m (90 pi)	Acier galvanisé	14,7 kg (32,5 lb)
	8518566	27 m (90 pi)	Acier inoxydable	14,7 kg (32,5 lb)
	8518561	27 m (90 pi)	Acier galvanisé	14,7 kg (32,5 lb)
<b>B</b>	8518559	27 m (90 pi)	Acier inoxydable	14,7 kg (32,5 lb)
	8518588	42 m (140 pi)	Acier galvanisé	18,4 kg (40 lb)
	8518586	42 m (140 pi)	Acier inoxydable	18,4 kg (40 lb)
	8518581	42 m (140 pi)	Acier galvanisé	18,4 kg (40 lb)
	8518579	42 m (140 pi)	Acier inoxydable	18,4 kg (40 lb)
	8518589	58 m (190 pi)	Acier galvanisé	19,4 kg (43 lb)
	8518587	58 m (190 pi)	Acier inoxydable	19,4 kg (43 lb)
	8518582	58 m (190 pi)	Acier galvanisé	19,4 kg (43 lb)
<b>C</b>	8518580	58 m (190 pi)	Acier inoxydable	19,4 kg (43 lb)
	8518610	73 m (240 pi)	Acier galvanisé	22,6 kg (50 lb)
	8518608	73 m (240 pi)	Acier inoxydable	22,6 kg (50 lb)
	8518603	73 m (240 pi)	Acier galvanisé	22,6 kg (50 lb)
	8518601	73 m (240 pi)	Acier inoxydable	22,6 kg (50 lb)
	8518611	88 m (290 pi)	Acier galvanisé	19,5 kg (53,5 lb)
	8518609	88 m (290 pi)	Acier inoxydable	19,5 kg (53,5 lb)
	8518604	88 m (290 pi)	Acier galvanisé	19,5 kg (53,5 lb)
<b>Treuil à alimentation continue</b>	8518602	88 m (290 pi)	Acier inoxydable	19,5 kg (53,5 lb)
	8514602	-----	Corde kernmantle de 12 mm (1/2 po)	14,6 kg (32,2 lb)

**1 Capacité :** 140 kg (300 lb) est la limite de capacité requise par ANSI. Ce produit a été testé selon une capacité maximale de 204 kg (450 lb) conformément à la norme OSHA.

**2 Personne qualifiée :** individu qui possède un diplôme reconnu ou un certificat professionnel et qui bénéficie d'une vaste expérience dans la protection contre les chutes. Cet individu doit être capable de maîtriser la conception, l'analyse, l'évaluation et les spécifications en matière de protection contre les chutes.

## 1.0 TYPE D'UTILISATION

**1.1 OBJECTIF :** les treuils 3M sécurisent les dispositifs antichute 3M et permettent à ces dispositifs d'être utilisés pour d'autres applications. Les treuils 3M sont conçus pour être utilisés dans le cadre d'un dispositif de positionnement ou de secours. La Figure 1 illustre les modèles de treuils couverts par ce manuel d'instructions. Selon le modèle de treuil, les applications du dispositif peuvent également inclure la manutention de matériaux, le harnais personnel et les ascensions. Pour plus d'informations sur les applications du dispositif, se reporter au Tableau 1.

*Ne jamais utiliser les treuils 3M comme dispositif antichute principal dans un dispositif antichute.*

- 1.2 NORMES :** votre produit est conforme aux normes nationales ou régionales présentées sur la page de couverture de ces instructions. Si ce produit est revendu en dehors du pays de destination d'origine, le revendeur doit fournir ces instructions dans la langue du pays où il sera utilisé.
- 1.3 SUPERVISION :** L'utilisation de cet équipement doit être supervisée par une personne compétente<sup>1</sup>. L'installation de cet équipement doit être supervisée par une personne qualifiée<sup>2</sup>.
- 1.4 FORMATION :** cet équipement doit être installé et utilisé par des personnes formées à cet effet. Ces instructions doivent être utilisées dans le cadre du programme de formation des employés, comme requis par les normes nationales, régionales ou locales en vigueur. Il relève de la responsabilité des utilisateurs et des installateurs de cet équipement de s'assurer qu'ils se sont familiarisés avec ces instructions, qu'ils ont été formés à l'entretien et à l'utilisation corrects du matériel et qu'ils ont connaissance des caractéristiques de fonctionnement, des limites d'application et des conséquences d'une mauvaise utilisation.
- 1.5 PLAN DE SAUVETAGE :** pour utiliser cet équipement et connecter les sous-systèmes, l'employeur devra disposer d'un plan de sauvetage écrit et de moyens de le mettre en place et de le communiquer aux utilisateurs<sup>3</sup>, personnes autorisées<sup>4</sup> et aux sauveteurs<sup>5</sup>. Il est recommandé de mettre en place une équipe, adéquatement formée, de sauvetage sur site. Il conviendra de mettre à la disposition des membres de l'équipe l'équipement et les moyens techniques nécessaires à la bonne exécution d'une opération de sauvetage. La formation devra être dispensée sur une base régulière afin de garantir le niveau de compétence des sauveteurs. Les sauveteurs doivent recevoir les présentes instructions. Maintenir un contact visuel ou des moyens de communication avec la victime tout au long du sauvetage.
- 1.6 DISTANCE D'ARRÊT :** lors de la détermination de la distance d'arrêt nécessaire pour un dispositif antichute, chaque élément du dispositif antichute doit être pris en compte. Prévoir une distance d'arrêt suffisante pour arrêter une chute avant que l'utilisateur ne touche le sol ou un obstacle. Pour plus d'informations sur le calcul de la distance d'arrêt, se reporter aux instructions du fabricant fournies avec votre sous-système de raccordement.
- 1.7 EFFETS PENDULAIRES :** Les chutes avec effet pendulaire se produisent lorsque le point d'ancrage ne se trouve pas directement au-dessus du point de la chute (voir la Figure 4). Heurter un objet pendant une chute pendulaire peut causer des blessures graves ou la mort. Éviter un effet pendulaire si des risques de blessure existent. Réduire le risque d'effets pendulaires en travaillant autant que possible directement sous le point d'ancrage. La distance d'arrêt requise de l'utilisateur augmente lorsque la zone de travail de l'utilisateur s'agrandit, puisque la distance d'arrêt totale sera plus grande que si l'utilisateur était tombé directement sous le point d'ancrage.
- 1.8 APRÈS UNE CHUTE :** Si cet équipement est soumis à une force antichute ou d'impact, il doit être immédiatement mis hors service. Indiquer clairement « NE PAS UTILISER » Pour plus d'informations, se reporter à la Section 5.

## 2.0 CONFIGURATION REQUISE

- 2.1 ANCRAGE :** les exigences en matière d'ancrage varient en fonction de l'utilisation du système antichute. La structure de montage sur laquelle l'équipement est placé doit satisfaire aux spécifications d'ancrage définies dans le Tableau 1.
- 2.2 CAPACITÉ :** la capacité d'utilisateurs d'un système antichute complet est limitée au niveau de son composant à la capacité maximale la plus faible. Par exemple, si votre sous-système de raccordement a une capacité inférieure à celle de votre harnais, vous devez respecter les exigences de capacité de votre sous-système de raccordement. Consulter les instructions du fabricant de chaque composant de votre système pour connaître les exigences en matière de capacité.
- 2.3 RISQUES ENVIRONNEMENTAUX :** l'utilisation de cet équipement dans des zones à risque environnemental peut nécessiter des précautions supplémentaires pour éviter tout risque de blessures corporelles de l'utilisateur ou de dommages matériels. Les risques peuvent comprendre, notamment et sans limitation : la chaleur, les produits chimiques, les environnements corrosifs, les lignes à haute tension, les gaz explosifs ou toxiques, les engins en mouvement, les arêtes vives ou les objets en hauteur pouvant tomber et entrer en contact avec l'utilisateur ou l'équipement. Contactez le service technique de 3M pour davantage de précisions.
- 2.4 DANGERS RELATIFS À LA LIGNE DE VIE :** Veiller à ce que la ligne de vie soit maintenue à l'abri de tous les dangers, y compris, mais sans s'y limiter : l'enchevêtrement avec des utilisateurs, d'autres travailleurs, des machines en mouvement, d'autres objets environnants, ou l'impact d'objets en hauteur pouvant tomber sur la ligne de vie ou des utilisateurs.
- 2.5 ARÊTES VIVES :** cet équipement ne doit pas être utilisé si des composants du système frottent ou entrent en contact avec des arêtes vives et des surfaces abrasives. Toutes les arêtes vives et les surfaces abrasives doivent être recouvertes d'un matériau de protection lorsque le contact est inévitable.
- 2.6 COMPATIBILITÉ DES COMPOSANTS :** L'équipement 3M est destiné à être utilisé uniquement avec des composants et des sous-systèmes agréés 3M. La substitution ou le remplacement de pièces par des composants ou des sous-systèmes non approuvés peut compromettre la compatibilité de l'équipement et affecter la sécurité et la fiabilité de l'ensemble du système.

**1 Personne compétente :** personne capable de déceler des dangers existants et prévisibles dans les milieux de travail ou des conditions de travail non hygiéniques, ou dangereuses pour les employés, et ayant l'autorisation de prendre des mesures correctives rapides pour les éliminer.

**2 Personne qualifiée :** personne possédant un diplôme, un certificat ou un statut professionnel reconnu, ou qui, par ses connaissances, sa formation et son expérience, a démontré sa capacité à résoudre des problèmes relatifs aux dispositifs de protection antichute et de secours dans la mesure exigée par les réglementations régionales, locales ou nationales applicables.

**3 Utilisateur :** Une personne qui exerce des activités tout en étant protégée par un système de protection antichute.

**4 Personne autorisée :** personne désignée par l'employeur pour effectuer des tâches sur un site où elle sera exposée à un risque de chute.

**5 Sauveteur :** personne qui utilise le système de secours pour effectuer un sauvetage assisté.

**2.7 COMPATIBILITÉ DES CONNECTEURS :** Les connecteurs sont considérés comme compatibles avec les éléments de raccordement lorsqu'ils ont été conçus de sorte que ni leur taille ni leur forme ne provoque l'ouverture spontanée de leur mécanisme d'ouverture, quelle que soit leur orientation. Pour toute question concernant la compatibilité, contacter 3M.

Les fixations (crochets-mousquetons et mousquetons) doivent pouvoir supporter au moins 22,2 kN (5 000 lbf). Les connecteurs doivent être compatibles avec l'ancrage ou tout autre composant du dispositif. N'utilisez pas un équipement qui ne serait pas compatible. Les connecteurs non compatibles peuvent se désengager accidentellement (voir Figure 5). Les connecteurs doivent être compatibles par leur taille, leur forme et leur résistance. Si l'élément de raccordement est doté d'un mousqueton trop petit ou de forme irrégulière, il se peut que l'élément de raccordement applique une force sur le mécanisme d'ouverture du mousqueton (A). Cette force pourrait entraîner l'ouverture du mécanisme (B) et provoquer le détachement du crochet-mousqueton ou du mousqueton de son point de raccordement (C).

**2.8 RACCORDEMENT :** les mousquetons utilisés avec cet équipement doivent être à verrouillage automatique. Vérifier que toutes les connexions sont compatibles en taille, en forme et en résistance. N'utilisez pas un équipement qui ne serait pas compatible. Vérifier que tous les connecteurs sont bien fermés et verrouillés.

Les connecteurs 3M (crochets à ressort et mousquetons) sont destinés à être utilisés uniquement selon les instructions utilisateur de chacun des produits. Consulter la Figure 6 pour voir des exemples de raccords inappropriés. Ne pas connecter les crochets-mousquetons et les mousquetons :

- A. À un D d'accrochage auquel un autre connecteur est attaché ;
- B. D'une manière qui provoquerait une charge sur l'ouverture. Les crochets à ressort à grande ouverture ne doivent pas être raccordés à des D d'accrochage de taille standard ou à des objets similaires qui provoqueraient une charge sur l'ouverture si le connecteur ou le D d'accrochage venait à tourner, sauf si le mousqueton est équipé d'une ouverture de 16 kN (3 600 lbf). Vérifier le marquage sur le crochet-mousqueton afin de s'assurer qu'il convient à l'application envisagée.
- C. Dans une configuration défectueuse où des éléments dépassant du crochet-mousqueton ou du mousqueton s'accrochent à l'ancrage et où on pourrait penser, sans confirmation visuelle, que la fixation au point d'ancrage est correcte ;
- D. L'un à l'autre ;
- E. Directement à des sangles, à une longe ou à un point d'ancrage (à moins que les instructions du fabricant pour la longe et le connecteur n'autorisent spécifiquement ce type de raccordement) ;
- F. À un objet ayant une forme ou une dimension empêchant la fermeture et le verrouillage du mousqueton, ou risquant de provoquer un désengagement ;
- G. D'une manière qui ne permet pas le bon alignement du connecteur lorsqu'il est sous charge.

### 3.0 INSTALLATION

**3.1 PRÉPARATION :** Préparer votre dispositif antichute personnel avant d'installer le treuil numérique. Tenez compte de tous les facteurs qui pourraient avoir une influence sur votre sécurité avant, pendant et après une chute. Prendre en considération toutes les exigences, les caractéristiques et les limites définies dans la Section 2 et le Tableau 1.

### 3.2 INSTALLER LE TREUIL SUR LE BRAS DE BOSSOIR OU LE TRÉPIED :

**INSTALLATION DU TREUIL :** voir la Figure 8.

Étape 1 : installer le treuil sur la structure de support en insérant l'extrémité fendue du support de fixation rapide sur la goupille fixe (A) sur le support de montage.

Étape 2 : faire pivoter le treuil vers le haut pour aligner les orifices dans les supports de montage.

Étape 3 : insérer la goupille de détente de verrouillage (B) dans les orifices en fixant le treuil à la structure de support.

**Le diamètre minimum des poulies directionnelles du câble d'acier doit être de 6,4 cm (2,5 po).**

### 3.3 FONCTIONNEMENT DU TREUIL :

- A. RACCORDEMENT DU CÂBLE DU TREUIL À LA CHARGE :** voir la Figure 10. A : Câble du treuil, B : Longe en Y, C : Ligne de vie secondaire, D : D d'accrochage au niveau des épaules, E : D d'accrochage dorsal, F : Adaptateur de fixation, G : Charge du matériel. Si un dispositif antichute personnel secondaire n'est pas nécessaire, le câble du treuil doit être relié au D d'accrochage dorsal du harnais du travailleur. Si un dispositif antichute personnel secondaire est nécessaire, le câble du treuil doit être fixé à la longe en Y, laquelle doit être attachée aux D d'accrochage dorsaux du harnais du travailleur. La seconde ligne de vie doit être reliée au D d'accrochage dorsal du harnais du travailleur. Dans le cas d'applications de manipulation de matériaux, relier le câble du treuil à la charge à l'aide d'une fixation universelle ou d'un autre dispositif d'ancrage.
- B. FONCTIONNEMENT DU TREUIL NUMÉRIQUE :** relier le treuil à la structure du support comme décrit à la section 3.4. Placer la poignée de manivelle du treuil dans le moyeu entraîneur 9:1 ou 4:1 et appuyer fermement vers l'intérieur jusqu'à ce que la languette à ressort sur la poignée se mette en place (la prise sur la poignée doit être tournée vers l'extérieur). Pour retirer la poignée de manivelle du moyeu, appuyer sur la languette à ressort et tirer la poignée hors du moyeu. Sortir le câble du tambour en faisant pivoter la manivelle en position basse (sens contraire des aiguilles d'une montre). Appliquer une tension d'environ 4,5 kg (10 lb) sur le câble tout en le retirant du tambour. Faire passer le câble par-dessus le système à poulies de la structure de support. Se reporter aux instructions d'utilisation de la structure de support pour l'acheminement du câble.
- SOULEVER UNE CHARGE :** faire pivoter la poignée de manivelle du treuil en position d'élévation (sens des aiguilles d'une montre). Pour maintenir ou suspendre momentanément une charge, arrêter d'actionner la manivelle. Si la manivelle est relâchée, le frein automatique maintient la charge. Ne pas dépasser la capacité indiquée de 204 kg (450 lb).
- ABAISSEUR UNE CHARGE :** faire pivoter la poignée de manivelle du treuil en position basse (sens contraire des aiguilles d'une montre). Pour abaisser le câble sans charge, maintenir une tension d'environ 4,5 kg (10 lb) sur celui-ci afin de faciliter son passage et d'éviter qu'il ne s'emmêle.
- C. INDICATEUR D'IMPACT :** voir la Figure 11. A : Mousqueton normal, B : Mousqueton impacté, C : La bande rouge indique un impact de charge. Le treuil numérique est fourni avec un crochet de raccord pivotant qui intègre un indicateur d'impact. Celui-ci fonctionne si le treuil subit un impact de charge trop important ou si la capacité d'élévation est dépassée en fonction d'une charge prédéfinie. Un crochet qui a été soumis à un impact de charge affichera une bande rouge dans la zone de pivotement.
- D. RETRAIT DU TREUIL :** détacher la ligne de vie du harnais du travailleur ou de la charge du matériel. Lors de l'enroulement de la ligne de vie autour du touret, maintenir une charge d'au moins 4,5 kg (10 lb). Rembobiner la ligne de vie via la structure de support. Continuer à enrouler la ligne de vie autour du touret jusqu'à ce que les viroles et les cosses en cuivre entrent en contact avec le touret. Détacher le treuil de la structure de support.
- E. MOYEU POUR PERCEUSE (VOIR LA FIGURE 9) :** Un 8512936 (A) en option peut être fixé pour lever et abaisser l'utilisateur en possession d'une perceuse électrique (B) d'un diamètre de 12,7 mm (1/2 po) et d'une vitesse de rotation maximale de perçage de 300 tr/min. Pour plus d'informations, se reporter au mode d'emploi 5903667.
- 3.4 SYSTÈME DE FIXATION DE LA CHARGE :** tirer sur le mousqueton tout en actionnant la manivelle dans le sens inverse des aiguilles d'une montre pour allonger la ligne de vie jusqu'à ce qu'il y ait suffisamment de câble pour attacher confortablement le travailleur ou la charge. Procéder à la fixation loin de l'entrée afin d'éviter tout risque de chute du travailleur ou de la charge. Utiliser les deux mains pour attacher la ligne de vie ; une pour maintenir de la tension sur la ligne de vie, l'autre pour déverrouiller et ouvrir le mousqueton. Insérer le crochet dans le D d'accrochage du harnais. Relâcher l'ouverture et s'assurer que le mousqueton est correctement attaché au D d'accrochage.
- 3.5 INTÉGRITÉ DU SYSTÈME :** vérifier l'intégrité du système de fixation et de support comme suit :
- A.** Faire pivoter la manivelle du treuil en position d'élévation jusqu'à ce que le câble soit bien serré. Le travailleur doit lentement transférer son poids sur le harnais et la ligne de vie jusqu'à ce qu'il soit capable de lever les deux pieds du sol.
- B.** S'assurer que le treuil maintient le travailleur en position stationnaire. À ce stade, ajuster également le harnais de manière à ce qu'il ne se coince pas, ne frotte pas et ne s'emmêle pas.

**Ne pas utiliser le treuil pour soulever ou abaisser plus d'une personne. La capacité de levage maximale est de 2,0 Kn (450 lbf).**

**3.6 ABAISSEUR UN TRAVAILLEUR :** l'accompagnateur doit faire pivoter la manivelle du treuil dans le sens inverse des aiguilles d'une montre afin de laisser filer la ligne de vie. L'accompagnateur doit garder une main gantée sur la ligne de vie pendant son extension pour maintenir une légère tension sur celle-ci.

Si le câble se tend ou se détend lors de l'utilisation, demander au travailleur suspendu s'il rencontre un éventuel problème. Rectifier avant de continuer.

**Si la tension de la manivelle se relâche au cours de la descente, la personne ou le matériel en cours d'abaissement est arrivé au niveau de la zone de travail ou de l'obstruction. Ne pas continuer sans communiquer avec la personne ou vérifier que le matériel a été déchargé. Toujours garder le câble fermement tendu. Un câble détendu peut provoquer une chute libre.**

Lorsqu'un travailleur est suspendu, maintenir l'angle de la ligne de vie à 5 degrés maximum par rapport à la verticale. Le travailleur peut être gravement blessé lors d'une chute oscillante à plus de 5 degrés. Si le travailleur n'est pas suspendu et qu'aucun risque de chute n'existe, l'accompagnateur peut laisser filer suffisamment de câble [0,6 m (2 pi) au maximum] afin que le travailleur puisse travailler confortablement. L'accompagnateur doit tenir le câble de manière à ce qu'il y ait toujours une légère tension. Maintenir une communication permanente entre le travailleur et l'accompagnateur.

**Les trois derniers mètres (10 pi) de la ligne de vie du treuil sont marqués en rouge et ne doivent pas être déroulés du tambour. Ces trois mètres de câble correspondent au nombre de spires nécessaires sur le tambour pour assurer un ancrage adéquat de la ligne de vie et garantir l'orientation correcte des spires de la ligne de vie. Dès que le marqueur rouge apparaît, arrêter de dévider la ligne de vie. La ligne de vie doit s'enrouler autour du touret via le positionnement de la manivelle sur « Raise » (« Élévation » – sens inverse des aiguilles d'une montre) uniquement. Vérifier de temps en temps que la ligne de vie s'enroule normalement sur le touret. Porter des gants lors de la manipulation de la ligne de vie.**

- 3.7 REMONTER UN TRAVAILLEUR :** communiquer avec le travailleur durant la préparation de sa remontée et maintenir la communication pendant toute la durée de la procédure. Positionner la poignée de la manivelle dans le moyeu entraîneur 4:1 ou 9:1 afin de maintenir la force de torsion à un niveau approprié. Rembobiner la ligne de vie et remonter le travailleur. Maintenir un rythme de remontée constant. Si la charge de torsion de la manivelle du treuil augmente soudainement, interrompre la procédure et chercher la cause du problème. Déterminer la cause du problème et résoudre ce dernier avant de reprendre la procédure. Lors de la remontée, soutenir la charge ou le travailleur et détacher la ligne de vie.
- 3.8 FREIN D'INERTIE :** le treuil numérique est conçu avec un frein constamment engagé qui retient une charge suspendue dès que la manivelle est relâchée. Le frein est composé de trois cliquets indépendants. Pour que le frein principal tombe en panne, les trois cliquets doivent être inutilisables. Le treuil dispose d'un frein d'inertie secondaire en cas de défaillance du frein principal. En cas de défaillance du frein principal, le treuil est en roue libre jusqu'à ce que le frein d'inertie s'enclenche et arrête le câble. Pas plus d'1 m (3 pi) de câble ne se déploie avant que le frein d'inertie ne s'enclenche.
- 3.9 SYSTÈME DE REMONTÉE DU CÔTÉ GAUCHE :** le treuil numérique peut être ajusté pour fonctionner comme système de remontée du côté gauche. Pour effectuer ce réglage, retirer le ressort du dispositif de retenue du câble et le fixer sur l'orifice situé à l'autre extrémité de la plaque de montage à l'aide du même matériel. Retirer la poignée de transport en retirant les deux vis la fixant au treuil et la replacer sur l'autre extrémité du treuil. Utiliser un frein filet amovible tel que le Loctite 242 pour sécuriser toutes les fixations. Le treuil sera désormais installé sur des supports de montage avec la poignée sur le côté gauche.

**Le câble passe par le haut du tambour dans la configuration de gauche, ce qui modifie les exigences de charge de moment. Voir le Tableau 1.**

- 3.10 INSTALLATION DE LA CORDE :** le treuil à alimentation continue peut accueillir une corde kernmantle d'un diamètre de 12 mm (1/2 po) de différentes longueurs. Les procédures d'installation varient selon que la corde se termine ou non par un mousqueton à une extrémité.

**Après avoir introduit la corde dans le treuil à alimentation continue, il peut être nécessaire d'appliquer une tension sur l'extrémité libre de la corde tout en soulevant une charge pour installer complètement la corde dans le touret.**

**Toujours veiller à ce que la corde soit assez longue pour faire fonctionner le treuil en toute sécurité sans manquer de longueur de corde.**

**SANS MOUSQUETON :** la corde sans mousqueton peut être introduite dans le treuil à alimentation continue par les deux extrémités en fonction de la quantité de corde utilisée :

**INSTALLATION PAR LE DÉBUT DE LA CORDE :** voir la Figure 13.

Étape 1 : Fixer le treuil à alimentation continue sur le bon ancrage (jambe de trépied, bras de bossoir, etc.).

Étape 2 : insérer le début de la corde sous l'espaceur (13.1A) et entre le tambour et le rouleau supérieur (13.1B).

Étape 3 : guider doucement la corde dans le treuil tout en tournant la poignée de manivelle dans le sens contraire des aiguilles d'une montre. Lorsque la corde passe par le treuil (Figure 13.2), s'assurer que la corde sort du treuil au-dessus de l'espaceur (13.2A) et sous la grande poulie supérieure (13.2B). Il peut être nécessaire de guider la corde en face de la poulie supérieure.

Étape 4 : Continuer à actionner la poignée et faire passer l'extrémité de la corde sur la poulie du système de bossoir ou sur le guide de câble.

**INSTALLATION PAR LA FIN DE LA CORDE :** voir la Figure 14.

Étape 1 : Fixer le treuil à alimentation continue sur le bon ancrage (jambe de trépied, bras de bossoir, etc.).

Étape 2 : insérer la fin de la corde au-dessus de l'espaceur (14.1A) et entre le tambour et la grande poulie supérieure (14.1B).

Étape 3 : guider doucement la corde dans le treuil tout en tournant la poignée de manivelle dans le sens des aiguilles d'une montre. Lorsque la corde passe par le treuil (Figure 14.2), s'assurer que la fin de la corde sort du treuil sous l'espaceur (14.2A) et sur le rouleau supérieur (14.2B). Il peut être nécessaire de guider la corde en face de l'espaceur (14.1A).

Étape 4 : Continuer à actionner la poignée jusqu'à ce que la corde passe au-dessus du rouleau supérieur et qu'elle pende du treuil.

**3.12 INSTALLATION DE LA CORDE AVEC UN MOUSQUETON :** durant l'installation de la corde dotée d'un mousqueton à une extrémité, celle-ci doit être correctement acheminée sur toute structure d'ancrage (par exemple : poulie, rouleau) et son extrémité non terminée doit passer dans le treuil à alimentation continue de la même manière que pour une « *Installation par la fin de la corde* ».

**3.13 EXTRÉMITÉ DE LA CORDE :** l'extrémité libre de la corde doit être fixée ou nouée pour s'assurer qu'elle ne passe pas à travers le treuil lors du fonctionnement.

## 4.0 UTILISATION

**4.1 AVANT CHAQUE UTILISATION :** Vérifier que votre zone de travail et votre système de protection antichute répondent à tous les critères définis dans les présentes instructions. Vérifier qu'un plan de sauvetage officiel est en place. Inspecter le produit conformément aux consignes d'inspection « Utilisateur » figurant dans le « *Journal d'inspection et d'entretien* ». Si l'inspection révèle la présence de conditions dangereuses ou défectueuses, ou s'il y a un doute quant à son état pour permettre une utilisation en toute sécurité, mettre immédiatement le produit hors service. Indiquer clairement « NE PAS UTILISER ». Pour plus d'informations, se reporter à la Section 5.

## 5.0 INSPECTION

**5.1 FRÉQUENCE D'INSPECTION :** Le produit doit être inspecté par l'utilisateur avant chaque utilisation en plus d'une personne qualifiée autre que l'utilisateur à des intervalles d'un an au plus. Une plus grande fréquence d'utilisation des équipements et des conditions plus difficiles peuvent nécessiter une augmentation de la fréquence des inspections de la personne compétente. La fréquence de ces inspections doit être déterminée par la personne compétente en fonction des conditions propres au lieu de travail.

**5.2 PROCÉDURES D'INSPECTION :** Inspecter le produit conformément aux procédures figurant dans le « *Journal d'inspection et d'entretien* ». La documentation de chaque inspection doit être conservée par le propriétaire de l'équipement. Un journal d'inspection et d'entretien doit être placé près du produit ou être facilement accessible aux utilisateurs. Il est recommandé de marquer ce produit avec la date de la prochaine inspection ou de la dernière inspection.

**Tous les 10 000 cycles ou tous les cinq ans :** il est recommandé de confier la révision du treuil à un centre agréé ou au fabricant. Des conditions de travail extrêmes peuvent nécessiter des révisions plus fréquentes. La révision doit inclure, sans toutefois s'y limiter, une inspection et un nettoyage intensifs de tous les composants internes et externes. La durée de vie du produit peut être réduite et les performances compromises si les révisions appropriées ne sont pas effectuées.

**5.3 DÉFAUTS :** si l'inspection révèle un état dangereux ou défectueux, mettre immédiatement le treuil hors service et contacter 3M pour obtenir un remplacement ou une réparation. Ne pas essayer de réparer le système antichute personnel.

**Réparateurs agréés uniquement :** Seule la société 3M ou les parties agréées par écrit peuvent réparer cet équipement.

**5.4 DURÉE DE VIE DU PRODUIT :** La durée de vie fonctionnelle du système antichute est déterminée par les conditions de travail et l'entretien. Le produit peut rester en service tant qu'il répond aux critères d'inspection.

## 6.0 ENTRETIEN, RÉVISION et STOCKAGE


**6.1 NETTOYAGE :** nettoyer régulièrement les composants métalliques du treuil numérique avec une brosse douce, de l'eau tiède et une solution légèrement savonneuse. Veillez à rincer les pièces abondamment à l'eau claire.

**6.2 RÉVISION :** Seules la société 3M ou les parties agréées par écrit par 3M peuvent réparer cet équipement. Si le treuil numérique a été soumis à une force suite à une chute ou si l'inspection révèle un état dangereux ou défectueux, retirer immédiatement ce système du service et contacter 3M pour effectuer un remplacement ou une réparation.

**6.3 STOCKAGE ET TRANSPORT :** lorsque le treuil n'est pas utilisé, le ranger et le transporter avec ses accessoires de protection antichute dans un endroit frais, sec et propre, à l'abri des rayons du soleil. Éviter les endroits où des vapeurs chimiques peuvent exister. Inspecter soigneusement les composants après une période de stockage prolongée.

## 7.0 ÉTIQUETTES ET MARQUAGES

La Figure 16 illustre les étiquettes apposées sur le treuil numérique. Les étiquettes doivent être remplacées si elles ne sont pas parfaitement lisibles. Les informations présentes sur chaque étiquette sont les suivantes :

(A)	 Lisez toutes les instructions. 1) Année et mois de fabrication 2) Numéro de lot 3) Numéro de modèle 4) Longueur
(B)	10 000 cycles
(C)	Étiquette d'instruction du treuil numérique



**Tableau 2 – Journal d’inspection et d’entretien**

<b>Date d’inspection :</b>		<b>Inspection par :</b>	
<b>Composants :</b>	<b>Inspection :</b> (Voir la Section 5 pour la <i>Fréquence des inspections</i> )	<b>Utilisa- teur</b>	<b>Personne compé- tente<sup>1</sup></b>
Treuil numérique (Figure 2)	Inspecter l’ensemble des vis, boulons et écrous. Vérifier leur fixation et leur serrage. Vérifier si des boulons, écrous ou autres pièces manquent ou ont été remplacés ou altérés de quelque manière que ce soit. Inspecter les capots et boîtiers. S’assurer qu’ils ne comportent pas de fissure, de bosse, de corrosion ou d’autres dommages.	<input type="checkbox"/>	<input type="checkbox"/>
Étiquettes (Figure 15)	Vérifier que toutes les étiquettes sont correctement fixées et lisibles.	<input type="checkbox"/>	<input type="checkbox"/>
Équipement de protection antichute	Les équipements supplémentaires de protection antichute utilisés avec le produit doivent être installés et inspectés conformément aux instructions du fabricant.	<input type="checkbox"/>	<input type="checkbox"/>
Vis de la poignée de manivelle	Le bras de manivelle amovible doit bien se fermer sur chacun des moyeux entraîneurs et ne doit présenter aucune fissure, pliure ou autres dommages. Vérifier le serrage de chaque poignée sur le bras de manivelle. Mettre du Loctite262 ou un frein filet équivalent sur les vis d’ancrage pour préserver un serrage correct, si nécessaire. Ne pas utiliser si le bras de manivelle n’est pas complètement fonctionnel.	<input type="checkbox"/>	<input type="checkbox"/>
Crochet de raccordement	Le crochet de raccordement ne doit pas être endommagé, cassé, tordu ou comporter des angles coupants, des bavures, des fissures, des parties usées ou des signes de corrosion. S’assurer que le crochet de raccordement fonctionne correctement. La fermeture du crochet doit être entièrement mobile et se bloquer lors de la fermeture. Le crochet doit pivoter sans difficulté.	<input type="checkbox"/>	<input type="checkbox"/>
Indicateur d’usure des freins (Figure 11A)	Inspecter l’indicateur d’usure des freins situé au centre du moyen entraîneur 4:1. Si l’indicateur se situe dans la zone rouge, mettre le treuil hors service et le renvoyer à 3M ou à un centre de réparation agréé.	<input type="checkbox"/>	<input type="checkbox"/>
Compteur numérique (Figure 11B)	Si le compteur numérique indique plus de 10 000 cycles depuis la dernière révision en usine dans le journal d’inspection, renvoyer le treuil à 3M ou à un centre de réparation agréé.	<input type="checkbox"/>	<input type="checkbox"/>
Défauts du câble d’acier	Inspecter le câble d’acier sur toute sa longueur en commençant par le crochet. Toujours porter des gants de protection pendant l’inspection du câble d’acier. Vérifier l’absence de câbles cassés en faisant passer le câble d’acier dans vos mains gantées et en le courbant régulièrement pour détecter d’éventuelles cassures. Vérifier que le câble est dépourvu de pliures, coupures, de zones écrasées et brûlées, de signe de corrosion ou autre dommage. Un câble d’acier sérieusement endommagé ne doit plus être utilisé.	<input type="checkbox"/>	<input type="checkbox"/>
Corde synthétique	L’inspection doit permettre de détecter une usure concentrée, des brins effilochés, des lignes cassées, des coupures ou des abrasions. La corde ne doit pas comporter de nœuds, de souillure excessive, d’accumulation de peinture et de tache de rouille sur toute sa longueur. La corde ne doit pas comporter de dommages causés par des rayons ultraviolets repérables par une décoloration et la présence d’éclats et d’écailles sur la surface de la corde. Tous les facteurs ci-dessus sont connus pour réduire la résistance de la corde. Une corde endommagée ou peu fiable doit être remplacée par un centre agréé.	<input type="checkbox"/>	<input type="checkbox"/>
Corde	Vérifier que la corde est bien placée dans le tambour en soulevant et en abaissant une charge d’au moins 35 kg (100 lb). Si la corde glisse pendant cette opération, appliquer une tension sur l’extrémité libre de la corde tout en soulevant la charge jusqu’à ce que le glissement soit éliminé.	<input type="checkbox"/>	<input type="checkbox"/>

**1 Personne compétente :** personne capable de déceler des dangers existants et prévisibles dans les milieux de travail ou des conditions de travail non hygiéniques ou dangereuses pour les employés, et ayant l’autorisation de prendre des mesures correctives rapides pour les éliminer.



# INFORMATION DE SÉCURITÉ

**Veillez lire, comprendre et suivre toutes les informations de sécurité contenues dans ces instructions avant d'utiliser ce dispositif de sauvetage/d'entrée dans un espace confiné. LE NON-RESPECT DE CES INSTRUCTIONS PEUT ENTRAÎNER DES BLESSURES GRAVES, VOIRE LA MORT.**

**Ces instructions doivent être transmises à l'utilisateur de cet équipement. Veuillez conserver ces instructions pour une utilisation ultérieure.**

## Utilisation prévue :

Ce dispositif de sauvetage/d'entrée dans un espace confiné est prévu pour être utilisé comme partie intégrante d'un système de protection antichute personnel complet ou d'un équipement de sauvetage.

L'utilisation dans le cadre d'autres applications, notamment des applications de manutention des matériaux non approuvées, des activités récréatives ou liées au sport ou d'autres activités non décrites dans les instructions destinées à l'utilisateur, n'est pas approuvée par 3M et peut entraîner des blessures graves, voire la mort.

Ce dispositif doit être utilisé uniquement par des usagers formés sur les applications du lieu de travail.

## AVERTISSEMENT

Ce dispositif de sauvetage/d'entrée dans un espace confiné fait partie d'un système de protection antichute personnel ou d'un équipement de sauvetage. Il est attendu que tous les utilisateurs sont entièrement formés sur l'installation et le fonctionnement sécuritaires du système complet. **Une mauvaise utilisation de ce dispositif peut entraîner des blessures graves, voire la mort.** Pour s'assurer d'un choix, d'un fonctionnement, d'une installation, de travaux d'entretien et de réparation appropriés, reportez-vous aux instructions sur le produit, ainsi qu'à toutes les recommandations du fabricant, consultez votre superviseur ou communiquez avec les services techniques de 3M.

- **Pour réduire les risques associés au travail avec un dispositif de sauvetage/d'entrée dans un espace confiné qui, s'ils ne sont pas évités, pourraient entraîner de graves blessures, voire la mort :**
  - Inspectez le dispositif avant chaque utilisation, au moins annuellement, et après chaque cas de chute. Réalisez l'inspection conformément aux instructions de l'utilisateur.
  - Si l'inspection révèle l'existence d'une défectuosité ou d'un problème affectant la sécurité, mettez l'équipement hors service et faites-le réparer ou remplacez-le conformément à ces instructions.
  - Tout dispositif ayant été soumis à des forces d'arrêt de chute ou à une force d'impact doit être immédiatement retiré du service. Consultez les instructions de l'utilisateur ou contactez le service de protection antichute 3M.
  - Le dispositif doit uniquement être installé de la façon décrite dans les instructions d'installation ou les instructions de l'utilisateur. Toute installation ou utilisation qui est hors de la portée des instructions doit être approuvée par écrit par le service de protection antichute de 3M.
  - La structure ou le substrat auquel le dispositif est fixé doit pouvoir résister aux charges statiques précisées pour le dispositif dans les sens permis indiqués dans les instructions de l'utilisateur ou les instructions d'installation.
  - N'excédez pas le nombre d'utilisateurs permis.
  - Ne travaillez jamais sous une charge ou un travailleur suspendu.
  - Soyez prudent au moment d'installer, d'utiliser et de déplacer le dispositif, car les pièces mobiles peuvent créer des points de pincement potentiels. Consultez les instructions de l'utilisateur.
  - Assurez-vous que les procédures de verrouillage et d'étiquetage ont été suivies comme il convient.
  - Ne vous attachez jamais à un système tant qu'il n'est pas positionné, entièrement assemblé, ajusté et installé. N'ajustez pas le système lorsqu'un utilisateur y est attaché.
  - Ne connectez que les sous-systèmes de protection antichute au point de connexion d'ancrage désigné sur le dispositif.
  - Avant de procéder au perçage ou à une fixation, assurez-vous que la perceuse ou le dispositif n'entrera pas en contact avec des lignes électriques, des conduites de gaz ou d'autres systèmes intégrés critiques.
  - Assurez-vous que les systèmes/sous-systèmes de protection antichute assemblés à partir de composants fabriqués par différents fabricants sont compatibles et répondent aux exigences des normes applicables, y compris la norme ANSI Z359 ou d'autres codes, normes ou exigences de protection antichute applicables. Consultez toujours une personne qualifiée ou compétente avant d'utiliser ces systèmes.
- **Pour réduire les risques associés au travail en hauteur qui, s'ils ne sont pas évités, pourraient entraîner des blessures graves, voire la mort :**
  - Assurez-vous que votre condition physique et votre état de santé vous permettent de supporter en toute sécurité toutes les forces associées au travail en hauteur. Consultez votre médecin en cas de questions sur votre capacité à utiliser cet équipement.
  - Ne dépassez jamais la capacité maximale permise de votre équipement de protection antichute.
  - Ne dépassez jamais la distance maximale de chute libre de votre équipement de protection antichute.
  - N'utilisez jamais un équipement de protection antichute qui échoue à une inspection préalable à son utilisation ou à toute autre inspection programmée ou encore si vous vous inquiétez de l'utilisation ou de la pertinence de l'équipement pour votre application. En cas de questions, n'hésitez pas à communiquer avec les services techniques de 3M.
  - Certaines combinaisons de sous-systèmes et de composants peuvent gêner le fonctionnement de cet équipement. N'utilisez que des connecteurs compatibles. Consultez 3M avant d'employer cet équipement conjointement avec des composants ou des sous-systèmes autres que ceux décrits dans les instructions à l'utilisateur.
  - Prenez des précautions supplémentaires lorsque vous travaillez à proximité d'une machinerie mobile (p. ex. l'entraînement supérieur d'une plateforme pétrolière), en présence de risques électriques, de températures extrêmes, de risques chimiques, de gaz explosifs ou toxiques, de bords tranchants ou de matériaux en hauteur pouvant tomber sur vous ou votre équipement de protection antichute.
  - Lorsque vous travaillez dans un environnement où la chaleur est élevée, utilisez des appareils dont l'usage se fait en environnement chaud ou en présence d'arc électrique.
  - Évitez les surfaces et les objets qui pourraient endommager l'équipement de l'utilisateur.
  - Lorsque vous travaillez en hauteur, vérifiez d'abord que la distance d'arrêt est adéquate.
  - Ne modifiez jamais votre équipement de protection antichute. Seules 3M ou les parties autorisées par écrit par 3M sont en droit d'effectuer des réparations sur cet équipement.
  - Avant d'utiliser un équipement de protection antichute, assurez-vous qu'un plan de sauvetage est en place et permet un sauvetage rapide en cas de chute.
  - Si un tel incident devait se produire, obtenez des soins médicaux immédiats pour le travailleur tombé.
  - N'utilisez pas de ceinture de travail dans les applications de protection antichute. N'utilisez qu'un harnais de sécurité complet.
  - Vous pouvez réduire les chutes oscillantes en travaillant aussi près que possible de l'ancrage.
  - Si ce dispositif est utilisé en formation, un second système de protection antichute doit être utilisé aussi de façon à ne pas exposer le stagiaire à un danger de chute involontaire.
  - Portez toujours un équipement de protection individuelle approprié lors de l'installation, de l'utilisation ou de l'inspection du dispositif/système.

Avant d'installer et d'utiliser ce matériel et cet équipement, consigner les renseignements d'identification du produit qui se trouvent sur l'étiquette d'identification, dans le journal d'inspection et d'entretien à la fin de ce manuel.

Toujours s'assurer d'utiliser la dernière révision du manuel d'utilisation de 3M. Consulter le site Web de 3M ou communiquer avec le Service technique de 3M pour obtenir des manuels d'utilisation mis à jour.

## DESCRIPTION DU PRODUIT :

La figure 1 illustre le treuil numérique DBI-SALAMC 3M<sup>MC</sup>. Les treuils numériques DBI-SALA sont utilisés pour le positionnement pour le travail, les déplacements du personnel, la manutention de matériaux, la protection durant l'ascension ou les sauvetages et les évacuations. Ces modèles de treuil doivent être utilisés avec un trépiéd, un bossoir ou toute autre structure d'appui de 3M Protection contre les chutes et peuvent être utilisés dans des situations où le personnel ou les matériaux doivent être montés ou descendus sur une hauteur d'au plus 88 m (290 pi). La figure 2 illustre les composants du treuil numérique et du treuil à alimentation continue.

**A. Positionnement de travail :** Les applications comprennent la suspension d'un travailleur sur une sellette ou un harnais de travail. L'employé doit être raccordé à un système antichute de secours lorsqu'il est en suspension.

**B. Déplacement du personnel :** Arrivé à son niveau de travail, le travailleur n'est plus soutenu par le treuil. L'employé doit être raccordé à système antichute de secours lorsqu'il utilise un treuil.

**C. Sauvetage et évacuation :** Utilisé pour remonter ou descendre un travailleur ou un membre du personnel de sauvetage en danger ou blessé. Les applications comprennent les entrées en espace clos avec ou sans permis. Dans les situations de sauvetage ou d'évacuation, utiliser un système antichute de secours.

**D. Protection durant l'ascension :** Utilisé pour protéger un travailleur qui monte ou descend une échelle fixe ou une structure similaire. Il est recommandé que cette utilisation du treuil se limite à des structures sur lesquelles il est impossible d'utiliser d'autres moyens de protection durant l'ascension comme les systèmes de sécurité pour les échelles permanentes ou les systèmes antichute personnels. Pour cette application, les conditions suivantes doivent être respectées :

- L'échelle ou les escaliers sont en bon état et permettent une ascension droite et continue.
- Le travailleur montant à l'échelle porte un harnais de sécurité complet et la ligne de vie du treuil est reliée à l'anneau en D dorsal (au dos) du harnais.
- L'opérateur est formé et compétent pour manœuvrer le treuil.
- Ne permettre aucun relâchement de la ligne de vie lorsque le travailleur monte ou descend de l'échelle.
- Les longes amortisseur de choc doivent être connectées entre l'anneau en D dorsal du harnais et la ligne de vie du treuil.

**Tableau 1 – Spécifications**

Spécifications du système :	
<b>Capacité</b>	La charge de travail maximale de ce produit est d'une personne dont le poids combiné (comprenant les outils, habits et équipement) ne dépasse pas 204 kg (450 lb).
<b>Matériau du boîtier</b>	Fonte d'aluminium avec finition en peinture en poudre
<b>Matériau de la ligne de vie</b>	Acier inoxydable de 5 mm (3/16 po) Acier inoxydable de 6 mm (1/4 po) Acier galvanisé de 5 mm (3/16 po) Corde Technora de 6 mm (1/4 po) Corde de sport « kernmantle » de 12 mm (1/2 po)
<b>Besoins en matière de montage (voir la figure 7)</b>	Configuration sur le coté droit (A) : Le câble est alimenté depuis bas avec un moment de charge de 1 051 N*m (775 lb*pi) et de 14 kN (3100 lb*f) dans le sens de la traction. Configuration à gauche (B) : Le câble est alimenté depuis haut avec un moment de charge de 3 194 N*m (2,356 lb-pi.) et de 14 kN (3100 lb*f) dans le sens de la traction.

### Treuil numérique

Figure 2 Référence	Composant
(A)	Treuil
(B)	Moyeu d'entraînement principal. Rapport de récupération de 4:1
(C)	Moyeu d'entraînement auxiliaire. Rapport de récupération de 9:1
(D)	Ressort de retenue du câble
(E)	Poignée de transport
(F)	Moyeux d'entraînement manuels
(G)	Manivelle de récupération amovible
(H)	Plaque universelle d'ancrage

**Tableau 1 – Spécifications**

<b>Treuil à alimentation continue :</b>	
<b>Figure 2 Référence</b>	<b>Composant</b>
ⓐ	Poignée de la manivelle amovible
ⓑ	Poulie supérieure
ⓒ	Entretoise
ⓓ	Rouleau supérieur

**Dimensions (voir la figure 15)**

**A :** Treuil de série 100, treuil à alimentation continue (8514602)

**B :** Treuil de série 200

**C :** Treuil de série 300

<b>Série</b>	<b>Modèle</b>	<b>Longueur de la ligne de vie</b>	<b>Type de câble</b>	<b>Poids</b>
<b>A</b>	8518567	18 m (60 pi)	Acier galvanisé	13,8 kg (30,5 lb)
	8518565	18 m (60 pi)	Acier inoxydable	13,8 kg (30,5 lb)
	8518571	18 m (60 pi)	Corde Technora	12,2 kg (27 lb)
	8518560	18 m (60 pi)	Acier galvanisé	13,8 kg (30,5 lb)
	8518558	18 m (60 pi)	Acier inoxydable	13,8 kg (30,5 lb)
	8518564	18 m (60 pi)	Corde Technora	12,2 kg (27 lb)
	8518568	27 m (90 pi)	Acier galvanisé	14,7 kg (32,5 lb)
	8518566	27 m (90 pi)	Acier inoxydable	14,7 kg (32,5 lb)
	8518561	27 m (90 pi)	Acier galvanisé	14,7 kg (32,5 lb)
	8518559	27 m (90 pi)	Acier inoxydable	14,7 kg (32,5 lb)
<b>B</b>	8518588	42 m (140 pi)	Acier galvanisé	18,4 kg (40 lb)
	8518586	42 m (140 pi)	Acier inoxydable	18,4 kg (40 lb)
	8518581	42 m (140 pi)	Acier galvanisé	18,4 kg (40 lb)
	8518579	42 m (140 pi)	Acier inoxydable	18,4 kg (40 lb)
	8518589	58 m (190 pi)	Acier galvanisé	19,4 kg (43 lb)
	8518587	58 m (190 pi)	Acier inoxydable	19,4 kg (43 lb)
	8518582	58 m (190 pi)	Acier galvanisé	19,4 kg (43 lb)
	8518580	58 m (190 pi)	Acier inoxydable	19,4 kg (43 lb)
<b>C</b>	8518610	73 m (240 pi)	Acier galvanisé	22,6 kg (50 lb)
	8518608	73 m (240 pi)	Acier inoxydable	22,6 kg (50 lb)
	8518603	73 m (240 pi)	Acier galvanisé	22,6 kg (50 lb)
	8518601	73 m (240 pi)	Acier inoxydable	22,6 kg (50 lb)
	8518611	88 m (290 pi)	Acier galvanisé	19,5 kg (53,5 lb)
	8518609	88 m (290 pi)	Acier inoxydable	19,5 kg (53,5 lb)
	8518604	88 m (290 pi)	Acier galvanisé	19,5 kg (53,5 lb)
	8518602	88 m (290 pi)	Acier inoxydable	19,5 kg (53,5 lb)
<b>Treuil à alimentation continue</b>	8514602	-----	Corde de sport « kernmantle » de 12 mm (1/2 po)	14,6 kg (32,2 lb)

**1 Capacité :** 140 kg (310 lb) est la plage de capacité requise par l'ANSI. Ce produit a été testé pour une capacité maximale de 204 kg (450 lb) selon l'OSHA.

**2 Personne qualifiée :** Une personne possédant un diplôme ou un certificat professionnel et une expérience approfondie en protection contre les chutes. Cette personne doit être en mesure de concevoir, d'analyser, d'évaluer et de spécifier des systèmes de protection contre les chutes.

## 1.0 APPLICATION DU PRODUIT

**1.1 OBJET :** Les treuils 3M se fixent aux systèmes antichute 3M et permettent à ces systèmes d'être utilisés pour d'autres applications. Les treuils 3M sont conçus pour être utilisés dans le cadre d'un système de positionnement de travail ou de sauvetage. La figure 1 représente les modèles de treuil couverts par ce manuel d'utilisation. En fonction du modèle de treuil, les applications du système peuvent également inclure la manutention de matériaux, le déplacement de personnel et l'ascension. Pour obtenir plus de renseignements sur les applications du système, consulter le tableau 1.

*Ne jamais utiliser de treuil 3M comme dispositif antichute principal dans un système antichute.*

- 1.2 NORMES :** Le produit est conforme aux normes nationales ou régionales indiquées sur la couverture des présentes directives. Si ce produit est revendu en dehors du pays d'origine de destination, le revendeur doit fournir ces directives dans la langue du pays dans lequel le produit sera utilisé.
- 1.3 SUPERVISION :** L'utilisation de ce matériel doit être supervisée par une personne compétente<sup>1</sup>. L'installation de ce matériel doit être supervisée par une personne qualifiée<sup>2</sup>.
- 1.4 FORMATION :** Ce matériel doit être installé et utilisé par des personnes formées pour que son application soit appropriée. Ces instructions doivent être utilisées dans le cadre d'un programme de formation pour les employés, comme l'exigent les normes nationales, régionales ou locales. L'utilisateur et l'installateur de ce matériel sont tenus de se familiariser avec les présentes directives, de suivre une formation afin d'entretenir et d'utiliser correctement ce matériel et de bien connaître les caractéristiques opérationnelles, les limites des applications ainsi que les conséquences d'une utilisation inappropriée de ce matériel.
- 1.5 PLAN DE SAUVETAGE :** Pour l'utilisation de ce matériel et des sous-systèmes de raccordement, l'employeur doit avoir un plan de sauvetage et les moyens de le mettre en œuvre et de le communiquer aux utilisateurs<sup>3</sup>, aux personnes autorisées<sup>4</sup> et aux sauveteurs<sup>5</sup>. Il est conseillé d'avoir une équipe de sauvetage formée présente sur place. Les membres de l'équipe doivent avoir l'équipement et les connaissances techniques requises afin de pouvoir accomplir un sauvetage réussi. La formation doit être répétée régulièrement afin d'assurer l'efficacité des sauveteurs. Les présentes instructions doivent être fournies aux sauveteurs. En tout temps pendant le processus de sauvetage, il doit y avoir un contact visuel ou un moyen de communiquer avec la personne secourue.
- 1.6 DÉGAGEMENT DE CHUTE :** Chaque composant du système antichute doit être pris en compte au moment de déterminer le dégagement de chute nécessaire pour un système antichute. Le dégagement de chute sous l'utilisateur doit être suffisant pour arrêter la chute avant qu'il n'entre en contact avec le sol ou avec un obstacle. Pour plus de renseignements sur le calcul du dégagement de chute, se reporter aux directives du fabricant fournies avec le sous-système de raccordement.
- 1.7 CHUTES AVEC MOUVEMENT DE BALANCIER :** Les chutes avec mouvement de balancier se produisent lorsque le point d'ancrage ne se trouve pas directement au-dessus du point où une chute se produit (voir la figure 4). Si un objet est heurté pendant le mouvement de balancier, la force peut être importante et causer des blessures graves ou la mort. Éviter toute chute avec mouvement de balancier s'il y a un risque de blessure. Réduire au minimum les risques de chute avec mouvement de balancier en travaillant le plus directement possible sous le point d'ancrage. Le dégagement de chute requis de l'utilisateur augmente à mesure que le rayon de travail de l'utilisateur (W) augmente, puisque la distance de chute totale sera plus grande que si l'utilisateur était tombé directement sous le point d'ancrage.
- 1.8 APRÈS UNE CHUTE :** Si cet équipement a été soumis à une force d'arrêt de chute ou d'impact, le mettre hors service immédiatement. Indiquer clairement « NE PAS UTILISER » sur le produit. Consulter la section 5 pour obtenir de plus amples renseignements.

## 2.0 EXIGENCES DU SYSTÈME

- 2.1 ANCRAGE :** Les exigences relatives à l'ancrage varient selon l'application de protection contre les chutes. La structure de montage sur laquelle l'équipement est installé doit satisfaire aux spécifications d'ancrage définies dans le tableau 1.
- 2.2 CAPACITÉ :** La capacité d'utilisation d'un système complet de protection contre les chutes est limitée par son composant ayant la capacité nominale maximale la plus basse. Par exemple, si le sous-système de raccordement a une capacité inférieure au harnais, il faut se conformer aux exigences de capacité du sous-système de raccordement. Consulter les instructions du fabricant de chacun des composants du système pour connaître les exigences de capacité.
- 2.3 DANGERS ENVIRONNEMENTAUX :** L'utilisation de ce matériel dans des zones de dangers environnementaux peut exiger de prendre des précautions additionnelles afin d'éviter que l'utilisateur ne se blesse ou que le matériel ne subisse des dommages. Les risques peuvent comprendre, notamment et sans limitation : la chaleur intense, les produits chimiques, les environnements corrosifs, les lignes électriques à haute tension, les gaz explosifs ou toxiques, la machinerie mobile, les bords acérés ou les matériaux suspendus pouvant tomber et entrer en contact avec l'utilisateur ou l'équipement. Communiquer avec le Service technique de 3M pour obtenir de plus amples renseignements.

**1 Personne compétente :** Personne capable de reconnaître les dangers existants et prévisibles au sein du milieu de travail ou les conditions de travail insalubres, risquées ou dangereuses pour les employés, et qui possède l'autorisation pour apporter des mesures correctives diligentes pour les éliminer.

**2 Personne qualifiée :** Une personne possédant un diplôme, un certificat ou un statut professionnel reconnu ou qui, grâce à ses connaissances approfondies, sa formation et son expérience, a démontré avec succès sa capacité à résoudre des problèmes liés aux systèmes de protection contre les chutes et de sauvetage dans la mesure requise par la réglementation nationale, régionale et locale applicable

**2.4 DANGERS LIÉS À LA LIGNE DE VIE :** S'assurer que la ligne de vie est gardée à l'écart de tous les dangers, notamment ce qui suit : enchevêtrement avec des utilisateurs, d'autres travailleurs, des machines en mouvement, d'autres objets environnants ou impact d'objets situés au-dessus qui pourraient tomber sur la ligne de vie ou les utilisateurs.

**2.5 BORDS ACÉRÉS :** Éviter d'utiliser cet équipement dans une situation où des composants du système entreraient en contact avec des bords acérés et des surfaces abrasives non protégés ou se frotteraient contre ceux-ci. Tous les bords acérés et toutes les surfaces abrasives doivent être recouverts d'un matériau protecteur lorsque le contact est inévitable.

**2.6 COMPATIBILITÉ DES COMPOSANTS :** L'équipement 3M est destiné à être utilisé uniquement avec des composants et des sous-systèmes approuvés par 3M. Les substitutions ou les remplacements effectués avec des composants ou des sous-systèmes non approuvés peuvent affecter la compatibilité du matériel ainsi que la sécurité et la fiabilité du système dans son ensemble.

**2.7 COMPATIBILITÉ DES CONNECTEURS :** les connecteurs sont jugés compatibles avec les éléments de connexion lorsqu'ils ont été conçus pour travailler conjointement et de telle manière que leurs tailles et formes n'entraînent pas l'ouverture des mécanismes, quelle que soit leur orientation. Communiquer avec 3M pour toute question sur la compatibilité.

Les connecteurs (crochets à ressort et mousquetons) doivent pouvoir supporter une charge minimale de 22,2 kN (5 000 lbf). Ils doivent être compatibles avec l'ancrage ou d'autres composants du système. Ne pas utiliser de matériel non compatible. Les connecteurs non compatibles peuvent se désengager accidentellement (voir la figure 5). La taille, la forme et la résistance des connecteurs doivent être compatibles. Si le connecteur sur lequel se fixe le crochet à ressort ou le mousqueton est trop petit ou de forme irrégulière, celui-ci risque d'exercer une force sur la clavette du crochet à ressort ou du mousqueton (A). Cette force peut entraîner l'ouverture de la clavette (B), permettant ainsi au crochet à ressort ou au mousqueton de se désengager du point d'attache (C).

**2.8 RACCORDEMENTS :** Les crochets à ressort et les mousquetons utilisés avec ce matériel doivent être autoverrouillables. S'assurer que la taille, la forme et la résistance de tous les raccords sont compatibles. Ne pas utiliser de matériel non compatible. S'assurer que tous les connecteurs sont complètement fermés et verrouillés.

Les connecteurs 3M (crochets à ressort et mousquetons) sont conçus pour être utilisés uniquement selon les directives propres à chacun des produits. Consulter la figure 6 pour obtenir des exemples de raccords inappropriés. Ne pas connecter de crochet à ressort et de mousqueton :

- A. À un anneau en D sur lequel un autre connecteur est raccordé.
- B. D'une manière qui entraînerait une charge sur la clavette. Les crochets à ressort à ouverture large ne doivent pas être connectés à des anneaux en D de taille standard ou à d'autres objets semblables, au risque d'entraîner une charge sur la clavette si le crochet ou l'anneau en D se déforme ou pivote, sauf si le crochet à ressort est équipé d'une clavette de 16 kN (3 600 lb) de capacité. Vérifier les directives sur le crochet à ressort afin de s'assurer qu'il convient à l'application.
- C. En cas de fixation défectueuse, où certains éléments qui dépassent du crochet à ressort ou du mousqueton se prennent dans le point d'ancrage et semblent être totalement pris dans le point d'ancrage sans pouvoir le vérifier visuellement.
- D. L'un à l'autre.
- E. Directement à une sangle, à une longe en corde ou à un nœud coulant (sauf s'il est indiqué dans les directives du fabricant de la longe et du connecteur qu'un tel raccord est permis).
- F. À un objet dont la forme ou la dimension bloque la fermeture et le verrouillage du crochet à ressort ou du mousqueton ou pourrait provoquer leur décrochage.
- G. S'ils ne permettent pas au connecteur de s'aligner correctement alors qu'il est sous tension.

### 3.0 INSTALLATION

**3.1 PLANIFICATION :** Planifier la configuration du système de protection contre les chutes avant d'installer le treuil numérique. Prendre en compte tous les facteurs qui pourraient affecter la sécurité avant, pendant et après une chute. Tenir compte de toutes les exigences, restrictions et spécifications indiquées dans la section 2 et le tableau 1.

### 3.2 INSTALLATION DU TREUIL SUR LE BRAS DE BOSSOIR OU LE TRÉPIED :

**INSTALLATION DU TREUIL :** Voir la figure 8.

Étape 1 : Installer le treuil sur la structure d'appui en insérant l'extrémité fendue du support de montage rapide dans la cheville fixe (A) du support de montage.

Étape 2 : Faire pivoter le treuil vers le haut pour aligner les trous dans les supports de montage.

Étape 3 : Insérer la cheville d'arrêt de verrouillage (B) dans les trous fixant le treuil à la structure d'appui.

**Les poulies à gorge directionnelles du câble en acier doivent avoir un diamètre d'enroulement minimum de 6,4 cm (2,5 po).**

### 3.3 FONCTIONNEMENT DU TREUIL :

**A. RACCORDER LA LIGNE DE VIE DU TREUIL À UNE CHARGE :** Voir la figure 10. A : Ligne de vie du treuil, B : Corde de type Y, C : Ligne de vie auxiliaire, D : Anneau en D sur l'épaule, E : Anneau en D dorsal, F : Adaptateurs de fixation, G : Chargement du matériel. Pour des applications ne nécessitant pas d'équipement de protection auxiliaire contre les chutes, la ligne de vie du treuil doit être raccordée à l'anneau en D dorsal du travailleur. Pour les applications nécessitant un système antichute individuel auxiliaire, la ligne de vie du treuil doit être raccordée à une longe de type Y et cette longe doit être attachée aux anneaux en D aux épaules du harnais du travailleur. La ligne de vie auxiliaire doit être raccordée à l'anneau en D dorsal du harnais du travailleur. Pour des applications de manutention des matériaux, raccorder la ligne de vie du treuil à la charge à l'aide d'un adaptateur de fixation ou d'un autre dispositif d'ancrage.

**B. UTILISATION DU TREUIL NUMÉRIQUE :** Fixer le treuil à la structure d'appui tel que décrit à la section 3.4.

Installer la poignée de la manivelle du treuil dans le moyeu d'entraînement 9:1 ou 4:1 et pousser fermement vers l'intérieur jusqu'à ce que la languette à ressort sur la poignée s'enclenche (la prise sur la poignée doit être tournée vers l'extérieur).

Pour retirer la poignée de la manivelle du moyeu, pousser la languette à ressort vers le bas et tirer la poignée hors du moyeu.

Alimenter le tambour du treuil en tournant la manivelle en position de descente (sens inverse des aiguilles d'une montre). Appliquer une tension d'environ 4,5 kg (10 lb) sur la ligne de vie en la déroulant du tambour. Faire passer la ligne de vie sur le système de poulie de la structure d'appui. Se reporter aux directives d'utilisation relatives aux structures d'appui.

**POUR SOULEVER UNE CHARGE :** Faire tourner la poignée de la manivelle du treuil dans le sens de la montée (dans le sens des aiguilles d'une montre). Pour maintenir ou suspendre momentanément la charge, arrêter d'actionner la manivelle. Le frein automatique maintiendra la charge si la poignée est relâchée. Ne pas dépasser la capacité nominale de 204 kg (450 lb).

**POUR DESCENDRE UNE CHARGE :** Faire tourner la poignée de la manivelle du treuil dans le sens de la descente (dans le sens inverse des aiguilles d'une montre). Lorsque la ligne de vie est descendue sans charge, maintenir une tension d'environ 4,5 kg (10 lb) pour faciliter le déroulement et éviter l'enchevêtrement du câble.

**C. INDICATEUR DE CHUTE :** Voir la figure 11. A : Crochet à ressort normal, B : Crochet à ressort ayant subi un impact, C : La bande rouge indique une charge d'impact. Le treuil numérique vient avec un crochet pivotant doté d'un indicateur de chute. Cet indicateur fonctionne si le treuil est soumis à une charge d'impact très importante ou si la capacité de levage dépasse une valeur prédéfinie. Un crochet ayant été soumis à une charge d'impact affichera une bande rouge dans la zone pivotante.

**D. RETRAIT DU TREUIL :** Décrocher la ligne de vie du harnais du travailleur ou de la charge de matériel. Maintenir une charge d'au moins 4,5 kg (10 lb) sur la ligne de vie en l'enroulant sur le tambour. Rétracter la ligne de vie en passant par la structure d'appui. Continuer d'enrouler la ligne de vie autour du tambour jusqu'à ce que les bagues en cuivre et les cosses entrent en contact avec le tambour. Déconnecter le treuil de la structure d'appui.

**E. MOYEU DE PERCEUSE ÉLECTRIQUE (VOIR LA FIGURE 9) :** Le 8512936 (A) en option peut être fixé pour monter et descendre l'utilisateur avec une perceuse électrique (B) avec un entraînement de 12,7 mm (1/2 po) et un régime maximal de 300 tr/min. Voir les directives d'utilisation 5903667 pour obtenir plus de détails à ce sujet.

**3.4 FIXATION DE LA CHARGE :** Tirer sur le crochet à ressort tout en actionnant la poignée dans le sens inverse des aiguilles d'une montre pour dérouler la ligne de vie suffisamment pour qu'il soit possible d'attacher confortablement le travailleur ou la charge. Procéder à la fixation loin de l'entrée afin qu'il n'y ait aucun danger de chute du travailleur ou de la charge. Se servir des deux mains pour attacher la ligne de vie; une main pour maintenir une tension sur la ligne de vie, l'autre pour appuyer sur le dispositif de blocage et ouvrir la clavette du crochet à ressort. Insérer le crochet dans l'anneau en D du harnais. Relâcher la clavette et s'assurer que le crochet à ressort est bien verrouillé sur l'anneau en D.

**3.5 INTÉGRITÉ DU SYSTÈME :** Vérifier l'intégrité de la fixation et du système d'appui comme suit :

**A.** Actionner la poignée du treuil dans la direction de levage jusqu'à ce que la ligne de vie soit bien serrée. Le travailleur doit lentement transférer son poids sur le harnais et la ligne de vie jusqu'à ce qu'il soit capable de décoller ses deux pieds du sol.

**B.** S'assurer que le treuil maintienne le travailleur immobile. Ajuster également le harnais de manière qu'il n'y ait pas de pincement, de frottement ou de contrainte.

**Ne pas utiliser le treuil pour monter ou descendre plus d'une personne. La capacité de levage maximale est de 2,0 KN (450 lbf).**



- 3.6 DESCENDRE UN TRAVAILLEUR :** L'accompagnateur doit tourner la poignée du treuil en sens inverse des aiguilles d'une montre afin de dérouler la ligne de vie. L'accompagnateur doit garder une main munie d'un gant sur la ligne de vie lorsqu'elle se déploie afin de conserver une légère tension sur celle-ci.

Si la ligne de vie devient serrée ou se lâche pendant l'utilisation, communiquer avec le travailleur suspendu afin de déterminer s'il existe un problème. Corriger avant de continuer.

**Si la tension d'enroulement se relâche pendant de la descente, la personne ou le matériel descendu a atteint un niveau de travail ou une obstruction. Ne pas continuer d'actionner sans communiquer avec la personne ou vérifier le matériel étant descendu. Toujours garder une tension ferme sur le câble. Un câble lâche peut provoquer une chute libre.**

Pendant qu'un travailleur est suspendu, maintenir l'angle de la ligne de vie à un maximum de 5 degrés par rapport à la verticale. Le travailleur peut être gravement blessé lors d'une chute avec mouvement de balancier dont l'angle est supérieur à 5 degrés. Si le travailleur n'est pas suspendu et qu'il n'y a aucun risque de chute, l'accompagnateur peut dérouler assez de ligne de vie [maximum de 0,6 m (2 pi)] pour que le travailleur puisse travailler confortablement. L'accompagnateur doit tenir la ligne de vie de manière à ce qu'il y ait toujours une légère tension. Conserver une communication constante entre le travailleur et l'intervenant.

**Les 3 derniers mètres (10 pieds) de la ligne de vie possèdent une marque rouge et ne doivent pas être déroulés du tambour. Cette longueur fournit l'enroulement nécessaire sur le tambour permettant d'ancrer correctement la ligne de vie et garantit que la direction d'enroulement de la ligne de vie est bonne. Arrêter de déployer la ligne de vie lorsque la marque rouge devient visible. La ligne de vie doit s'enrouler sur le tambour en tournant la poignée de la manivelle uniquement dans la direction de « levage » (en sens inverse des aiguilles d'une montre). Vérifier à intervalles réguliers que la ligne de vie s'enroule uniformément sur le tambour. Utiliser des gants lors de la manipulation de la ligne de vie.**

- 3.7 EXTRAIRE UN TRAVAILLEUR :** Communiquer avec le travailleur pendant la préparation à l'extraction et rester en contact avec lui tout au long de la procédure. Positionner la poignée de la manivelle dans le moyeu d'entraînement 4:1 ou 9:1, selon le cas, afin de maintenir la force de torsion à un niveau confortable. Rétracter la ligne de vie et extraire le travailleur. Maintenir une vitesse d'extraction constante. Si la charge de torsion exercée sur la poignée du treuil augmente soudainement, arrêter la procédure et procéder à une vérification. Déterminer la cause du mauvais fonctionnement et corriger le problème avant de poursuivre. Lors de l'extraction, soutenir la charge ou le travailleur, et décrocher la ligne de vie.
- 3.8 FREIN D'INERTIE :** Le treuil numérique est conçu avec un frein constamment engagé qui soutiendra une charge suspendue en cas de relâchement de la poignée de la manivelle. Le frein est constitué de trois cliquets indépendants. Il faudrait que ces trois cliquets deviennent inutilisables pour que le frein principal fasse défaut. Le treuil possède un frein d'inertie auxiliaire au cas où le frein principal présenterait une défaillance. En cas de défaillance du frein principal, le treuil serait en roue libre jusqu'à ce que le frein d'inertie s'enclenche et arrête le câble. Le câble ne peut être déployé de plus de 1 m (3 pi) avant que le frein d'inertie ne s'engage.
- 3.9 EXTRACTION SUR LE CÔTÉ GAUCHE :** Le treuil numérique peut être réglé pour fonctionner en mode d'extraction sur le côté gauche. Pour effectuer ce réglage, retirer le ressort de rétention du câble et le fixer au trou situé à l'autre extrémité de la plaque d'ancrage à l'aide des mêmes accessoires. Retirer la poignée de transport en enlevant les deux vis qui la retiennent au treuil et la replacer à l'autre extrémité du treuil. Utiliser un enduit frein-filet comme du Loctite 242 pour fixer toutes les attaches. Le treuil peut alors être monté sur des supports de montage avec la poignée sur le côté gauche du treuil.

**Le câble sera alimenté depuis le haut du tambour dans la configuration sur le côté gauche, modifiant les exigences de moment de charge. Voir le tableau 1.**

- 3.10 INSTALLATION DE LA CORDE :** Le treuil à alimentation continue convient aux cordes de sport « kernmantle » de 12 mm (1/2 po) de diamètre de longueurs variées. Les procédures d'installation varieront selon que le câble se termine par un crochet à ressort à une extrémité ou non.

**Après avoir introduit le câble dans le treuil à alimentation continue, il peut être nécessaire d'appliquer une tension à l'extrémité libre du câble tout en soulevant une charge pour bien caler le câble dans le tambour.**

**Toujours s'assurer que le câble est suffisamment long pour faire fonctionner le treuil en toute sécurité sans manquer de longueur de câble.**

**SANS CROCHET À RESSORT :** Un câble sans crochet à ressort peut être introduit dans le treuil à alimentation continue à partir d'une des extrémités en fonction de la longueur de câble utilisée :

**INSTALLATION À PARTIR DU DÉBUT DU CÂBLE :** Voir la figure 13.

Étape 1 : Sécuriser le treuil à alimentation continue à un ancrage adéquat (pied de trépied, bras de bossoir, etc.).

Étape 2 : Insérer le début du câble sous l'entretoise (13.1A) et entre le tambour et le rouleau supérieur (13.1B).

Étape 3 : Insérer doucement le câble dans le treuil tout en tournant la poignée de la manivelle dans le sens inverse des aiguilles d'une montre. Lorsque le câble passe dans le treuil (figure 13.2), assurez-vous que le câble sort du treuil par-dessus l'entretoise (13.2A) et sous la grande poulie supérieure (13.2B). Diriger le câble devant la poulie supérieure peut être nécessaire.

Étape 4 : Continuer à tourner la poignée et faire diriger l'extrémité du câble par-dessus la poulie du système de bossoir ou le guide de câble.

## INSTALLATION À PARTIR DE L'EXTRÉMITÉ DU CÂBLE : Voir la figure 14.

Étape 1 : Fixer le treuil à alimentation continue à un ancrage approprié (pied de trépied, bras de bossoir, etc.).

Étape 2 : Insérer l'extrémité du câble au-dessus de l'entretoise (14.1A) et entre le tambour et la grande poulie supérieure (14.1B).

Étape 3 : Insérer doucement le câble dans le treuil tout en tournant la manivelle dans le sens des aiguilles d'une montre. Lorsque le câble passe à travers le treuil (figure 14.2), s'assurer que l'extrémité du câble sort du treuil sous l'entretoise (14.2A) et au-dessus du rouleau supérieur (14.2B). Il peut être nécessaire de diriger le câble devant l'entretoise (14.1A).

Étape 4 : Continuer d'actionner la manivelle jusqu'à ce que le câble passe au-dessus du rouleau supérieur et depuis le treuil.

**3.12 INSTALLATION D'UN CÂBLE MUNI D'UN CROCHET À RESSORT :** Lors de l'installation d'un câble muni d'un crochet à ressort à une de ses extrémités, le câble doit être correctement acheminé sur toute structure d'ancrage (par exemple, poulie, rouleau) et l'autre extrémité doit être introduite dans le treuil à alimentation continue de la même manière que pour l'« Installation à partir de l'extrémité du câble ».

**3.13 TERMINAISON DU CÂBLE :** L'extrémité libre du câble doit être sécurisée ou comporter un nœud pour s'assurer que l'extrémité libre de la corde ne passe à travers le treuil pendant le fonctionnement.

## 4.0 UTILISATION

**4.1 AVANT CHAQUE UTILISATION :** Vérifier que la zone de travail et le système de protection contre les chutes répondent à tous les critères définis dans les présentes directives. S'assurer qu'un plan de sauvetage est en place. Inspecter le produit en suivant les points d'inspection « Utilisateur » définis dans le « Journal d'inspection et d'entretien ». Si l'inspection révèle des conditions dangereuses ou un état défectueux, ou s'il y a un doute relativement à son état en vue d'une utilisation sécuritaire, mettre immédiatement le produit hors service. Indiquer clairement « NE PAS UTILISER » sur le produit. Consulter la section 5 pour obtenir de plus amples renseignements.

## 5.0 INSPECTION

**5.1 FRÉQUENCE D'INSPECTION :** Le produit doit être inspecté par l'utilisateur avant chaque utilisation ainsi que par une personne compétente autre que l'utilisateur à des intervalles n'excédant pas une fois par année. Une fréquence d'utilisation élevée du matériel ou de l'équipement, et une utilisation dans des conditions plus difficiles peuvent exiger des inspections plus fréquentes par une personne compétente. La fréquence de ces inspections doit être déterminée par la personne compétente en fonction des conditions particulières du chantier.

**5.2 PROCÉDURES D'INSPECTION :** Inspecter ce produit selon les procédures énumérées dans le « Journal d'inspection et d'entretien ». Le propriétaire de ce matériel ou de cet équipement doit conserver la documentation de chaque inspection. Un journal d'inspection et d'entretien doit être placé à proximité du produit ou être facilement accessible aux utilisateurs. Il est recommandé d'indiquer la date de la prochaine ou de la dernière inspection sur le produit.

**Tous les 10 000 cycles ou 5 ans :** Il est conseillé de faire entretenir le treuil par un service après-vente agréé ou par le fabricant. Des conditions d'utilisation extrêmes pourraient faire augmenter la fréquence de ces inspections. L'entretien devrait inclure, entre autres, une inspection complète et le nettoyage de toutes les pièces internes et externes. Le défaut de procéder à un entretien approprié peut réduire la durée utile du produit et compromettre son efficacité.

**5.3 DÉFAUTS :** Si l'inspection révèle une condition dangereuse ou une défectuosité, mettre immédiatement le treuil hors service et communiquer avec 3M en vue de son remplacement ou de sa réparation. Ne pas essayer de réparer le système antichute.

**Réparations autorisées :** SEULES 3M ou les parties autorisées par écrit peuvent réparer ce matériel ou de cet équipement.

**5.4 DURÉE UTILE DU PRODUIT :** La durée utile du système antichute est déterminée par les conditions de travail et l'entretien. Tant que le produit satisfait aux critères d'inspection, il peut être utilisé.

## 6.0 ENTRETIEN et ENTREPOSAGE


**6.1 NETTOYAGE :** Nettoyer régulièrement les composants métalliques du treuil numérique avec une brosse douce, de l'eau tiède et une solution savonneuse douce. Veiller à rincer les pièces minutieusement avec de l'eau propre.

**6.2 ENTRETIEN :** Seules 3M ou les parties autorisées par écrit par 3M peuvent réparer ce matériel ou cet équipement. Si le treuil numérique a été assujéti à une force de chute ou si l'inspection révèle des conditions dangereuses ou des défectuosités, le mettre hors service et communiquer avec 3M en vue de son remplacement ou de sa réparation.

**6.3 ENTREPOSAGE ET TRANSPORT :** Lorsqu'il n'est pas utilisé, entreposer et transporter le treuil avec le matériel et l'équipement de protection contre les chutes connexes dans un endroit frais, sec et propre, ainsi qu'à l'abri de la lumière directe du soleil. Éviter les zones présentant des vapeurs chimiques. Procéder à une inspection minutieuse des composants après un entreposage prolongé.

## 7.0 ÉTIQUETTES ET MARQUAGES

La figure 16 montre les étiquettes apposées sur le treuil numérique. Si elles ne sont pas parfaitement lisibles, les étiquettes doivent être remplacées. Les informations apparaissant sur chaque étiquette sont les suivantes :

Ⓐ	 Lire toutes les directives. 1) Année et mois de fabrication 2) Numéro de lot 3) Numéro de modèle 4) Longueur
Ⓑ	10 000 cycles
Ⓒ	Étiquette de directives pour le treuil numérique

**Tableau 2 – Journal d’inspection et d’entretien**

<b>Date d’inspection :</b>		<b>Inspecté par :</b>	
<b>Composants :</b>	<b>Inspection :</b> (Voir la section 5 : <i>Fréquence d’inspection</i> )	<b>Utilisateur</b>	<b>Personne compétente<sup>1</sup></b>
Treuil numérique (figure 2)	Vérifier tous les boulons, vis et écrous. S’assurer qu’ils sont correctement fixés et serrés. S’assurer qu’il n’y a pas de boulons, écrous ou autres pièces manquantes, substituées ou modifiées d’une façon quelconque. Vérifier les couvercles et boîtiers. S’assurer qu’ils ne comportent pas de fissures, de bosses, de corrosion ou d’autre dommage.	<input type="checkbox"/>	<input type="checkbox"/>
Étiquettes (figure 15)	Vérifier que toutes les étiquettes sont solidement fixées et lisibles.	<input type="checkbox"/>	<input type="checkbox"/>
Matériel de protection contre les chutes	Le matériel de protection contre les chutes supplémentaire utilisé avec le produit doit être installé et inspecté conformément aux directives du fabricant.	<input type="checkbox"/>	<input type="checkbox"/>
Vis de manivelle	Le bras de manivelle amovible doit se verrouiller positivement sur chacun des moyeux d’entraînement et ne pas présenter de fissures, de pliures ou d’autres dommages. Vérifier que chaque poignée du bras de manivelle est bien serrée. Utiliser du Loctite 262 ou un frein-filet équivalent sur les vis d’ancrage si nécessaire pour les maintenir serrées. Ne pas utiliser si le bras de manivelle n’est pas entièrement fonctionnel.	<input type="checkbox"/>	<input type="checkbox"/>
Crochet de connexion	Le crochet de connexion ne doit pas être endommagé, brisé ou tordu, ni présenter d’arêtes tranchantes, de bavures, de fissures, de pièces usées ou de corrosion. S’assurer que le crochet de raccordement fonctionne correctement. La clavette de crochet doit pouvoir se déplacer librement et se verrouiller lors de la fermeture. Le crochet doit pivoter librement.	<input type="checkbox"/>	<input type="checkbox"/>
Indication d’usure des freins (figure 11A)	Vérifier l’indicateur d’usure des freins situé au centre du moyeu d’entraînement 4:1. Si l’indicateur se trouve dans la section rouge, retirer le treuil du service et le renvoyer à 3M ou à un centre de réparation agréé.	<input type="checkbox"/>	<input type="checkbox"/>
Compteur numérique (figure 11B)	Si le compteur dépasse 10 000 cycles depuis le dernier entretien en usine enregistré dans le journal d’inspection, renvoyer le treuil à 3M ou à un centre de réparation agréé pour procéder à sa réparation.	<input type="checkbox"/>	<input type="checkbox"/>
Défauts du câble en acier	Vérifier le câble en acier sur toute sa longueur en commençant par le crochet. Toujours porter des gants de protection lors de l’inspection de câble en acier. Avec les mains gantées, vérifier si le câble en acier comporte des fils brisés, en fléchissant le câble à tous les quelques pouces pour exposer les bris. Rechercher la présence de plis, de coupures, de zones broyées et brûlées, de corrosion ou d’autres dommages. Un câble en acier présentant des dommages importants doit être retiré du service.	<input type="checkbox"/>	<input type="checkbox"/>
Câble synthétique	Vérifier la présence d’usure concentrée sur une zone, de brins effilochés, de fils brisés, de coupures et d’abrasions. Toute la ligne de vie doit être exempte de nœuds, de salissures excessives, d’accumulation importante de peinture et de taches de rouille. La ligne de vie ne doit présenter aucun dommage causé par les rayons ultraviolets, lesquels sont indiqués par une décoloration, des fragments ou des éclats sur la surface de la corde. Tous les facteurs ci-dessus réduisent la résistance du câble. Toute corde endommagée ou suspecte doit être remplacée par un service après-vente agréé.	<input type="checkbox"/>	<input type="checkbox"/>
Corde	Vérifier que le câble est bien calé dans le tambour en remontant et en descendant une charge d’au moins 35 kg (100 lb). Si le câble glisse pendant cette opération, appliquer une tension sur l’extrémité libre du câble tout en soulevant la charge jusqu’à ce que le glissement soit éliminé.	<input type="checkbox"/>	<input type="checkbox"/>

**1 Personne compétente :** Personne qui a la capacité de reconnaître les dangers existants et prévisibles au sein du milieu de travail ou de reconnaître les conditions de travail insalubres, risquées ou dangereuses pour les employés, et qui possède l’autorisation d’apporter rapidement des mesures correctives pour les éliminer.



# BIZTONSÁGI INFORMÁCIÓK

Kérjük, hogy a jelen termék használata előtt olvassa el, értelmezze és kövesse a jelen használati útmutatóban szereplő összes biztonsági információt. ENNEK ELMULASZTÁSA SÚLYOS SÉRÜLÉSHEZ VAGY HALÁLHOZ VEZETHET.

Ezt a használati útmutatót át kell adni az eszköz használatjának. Őrizze meg ezt az útmutatót későbbi felhasználásra.

## Rendeltetésszerű használat:

A jelen termék egy teljes értékű zuhanásvédelmi rendszer részeként használatos.

A 3M nem hagy jóvá semmilyen egyéb jellegű használatot (egyebek mellett anyagkezeléshez, szabadidős vagy sporttevékenységekhez, illetve a termék használati útmutatójában nem szereplő egyéb tevékenységekhez), mert ezek súlyos sérüléseket vagy halált okozhatnak.

A jelen terméket csak képzett felhasználók használhatják, munkahelyi feladatvégzéshez.



## FIGYELEM

A jelen termék egy teljes értékű zuhanásvédelmi rendszer részeként használatos. Minden felhasználónak teljes képzést kell kapnia a teljes zuhanásvédelmi rendszer biztonságos telepítése és működtetése tárgyában. **A jelen termék nem rendeltetésszerű használata súlyos sérüléshez vagy halálhoz vezethet.** A megfelelő választás, működtetés, telepítés, karbantartás és szervizelés tárgyában tájékozódjon a használati útmutatókból és a gyártó ajánlásaiból. További információért forduljon feletteséhez vagy a 3M műszaki ügyfélszolgálatához.

- **A mentési eszközzel történő munkavégzéshez kapcsolódó, súlyos sérülés vagy halál lehetőségét hordozó kockázatok csökkentése érdekében kövesse az alábbiakat:**
  - Minden egyes használat előtt, továbbá leesési esemény után vizsgálja meg a terméket a jelen útmutatóban meghatározott eljárásoknak megfelelően.
  - Ha az ellenőrzés során nem biztonságos vagy hibás állapotra derül fény, haladéktalanul vonja ki az eszközt a használatból, és lássa el jól látható „NEM SZABAD HASZNÁLNI” jelöléssel. A rendszert a jelen útmutatóban leírtaknak megfelelően semmisítse meg, vagy javítsa meg.
  - Minden olyan terméket, amely aktiválódott zuhanásgátlási műveletben vagy zuhanásgátlási erőhatásnak volt kitéve, haladéktalanul ki kell vonni a használatból. A rendszert a jelen útmutatóban leírtaknak megfelelően semmisítse meg, vagy javítsa meg.
  - Gondoskodjon arról, hogy a különböző gyártók alkatrészeiből összeszerelt zuhanásvédelmi rendszerek kompatibilisek legyenek egymással, és megfeleljenek az alkalmazandó zuhanásvédelmi előírásoknak, szabványoknak és követelményeknek. Ezen rendszerek használata előtt mindig konzultáljon hozzáértő személlyel vagy képzett szakemberrel.
  - Mindig biztosítson 100%-os rögzítettséget.
  - Gondoskodjon róla, hogy a biztosítókötélnél semmilyen veszély ne álljon fenn – például a következők: összeakadás más felhasználóval, dolgozóval, mozgó berendezéssel vagy egyéb környező tárggyal, illetve a biztosítókötélre vagy a felhasználókra zuhanás lehetőségét hordozó tárgyak.
  - Alkalmazzon megfelelő élvédelmet, ha a biztosítókötél éles peremmel vagy koptatófelülettel érintkezhet.
  - Ne csavarja meg, ne kösse meg, ne csomózza meg és ne engedje lazára a biztosítókötelt.
  - Ne érintse meg az eszközök súrlódásnak kitett részeit leereszkedések alatt vagy után, mivel ezek a részek felmelegedhetnek és égési sérüléseket okozhatnak.
  - A biztosítókötél csatlakoztatásakor kövessen minden gyártói javaslatot.
  - A mentési műveletek végrehajtása során mindig kövesse a munkahelye mentési tervét.
  - Csak akkor használja ezt a terméket, ha műszaki mentési képzésben részesült.
  - Járjon el gondosan a termék telepítése, használata és mozgatása során, ugyanis a mozgó elemek becsípődési pontokat hozhatnak létre.
  - A leereszkedéseket mindig a jelen útmutatóban leírtak alapján dokumentálja, és szükség szerint vonja ki a terméket a használatból a felsorolt használati korlátozásoknak megfelelően.
- **A magasban történő munkavégzéshez kapcsolódó, a súlyos sérülés vagy halál veszélyét hordozó kockázatok csökkentése érdekében kövesse az alábbiakat:**
  - Egészségileg és fizikailag alkalmas állapotban kell lennie a magasban történő munkavégzéshez, és a zuhanásgátlási esemény során bekövetkező összes erőhatás elviseléséhez. Ha kérdése merül fel ezen eszköz használatával kapcsolatos alkalmasságára vonatkozóan, konzultáljon orvosával.
  - Soha ne lépje túl a zuhanásvédelmi felszerelés névleges maximális terhelését.
  - Soha ne lépje túl a zuhanásvédelmi felszereléshez megadott maximális szabadesési távolságot.
  - Ne használjon olyan zuhanásvédelmi felszerelést, amely nem felel meg az ellenőrzéseken, illetve olyat, amelynek használatával vagy alkalmasságával kapcsolatban aggályai vannak. Kérdés esetén forduljon a 3M műszaki szolgálatához.
  - Bizonyos alrendszer- és alkatrész-kombinációk megzavarhatják a jelen eszköz működését. Csak kompatibilis csatlakozókat használjon. Forduljon a 3M műszaki ügyfélszolgálatához, mielőtt a jelen eszközt az ebben az útmutatóban leírtaktól eltérő alkatrészekkel vagy alrendszerekkel együtt használja.
  - Különös gondossággal járjon el mozgó gépek közelében, szélsőséges hőmérsékleten, továbbá elektromos jellegű veszély, vegyi jellegű veszély, robbanékony vagy mérgező gázok, éles szegély vagy koptatófelület jelenlétében történő munkavégzéskor, illetve olyan felfüggesztett tárgyak alatt, amelyek Önre vagy a zuhanásvédelmi felszerelésre zuhanhatnak.
  - Győződjön meg arról, hogy a termék a biztonsági besorolása szerint használható az adott munkakörnyezetben felmerülő veszélyek esetén.
  - Magasban történő munkavégzés esetén gondoskodjon a megfelelő zuhanási térről.
  - Soha ne módosítsa vagy alakítsa át a zuhanásvédelmi felszerelést. 3M felszerelést kizárólag a 3M vállalat vagy a 3M írásos felhatalmazásával rendelkező személy javíthat.
  - Zuhanásvédelmi felszerelés használata előtt győződjön meg arról, hogy létezik zuhanási eseményre vonatkozó, azonnali mentést részletező, írásos mentési terv.
  - Zuhanási esemény bekövetkezésakor azonnal hívjon orvost a lezuhant dolgozóhoz.
  - Mindig testhevederet használjon zuhanásgátlási alkalmazásokhoz. Ne használjon testhevedert.
  - Csökkentse minimálisra a lengőzuhanás esélyét azzal, hogy a kikötési pont alatti lehető legközelebbi helyen dolgozik.
  - A jelen termékkel kapcsolatos képzés során kötelező másodlagos zuhanásvédelmi rendszert is használni. A képzés résztvevőit tilos kitenni nem szándékolt zuhanásveszélynek.
  - Mindig viseljen megfelelő egyéni védőfelszerelést a termék telepítésekor, használatakor és vizsgálatakor.
  - Soha ne dolgozzon felfüggesztett teher vagy dolgozó alatt.

Az eszköz felszerelése és használata előtt jegyezze fel az azonosítócímkén szereplő termékazonosító adatokat a kézikönyv végén található ellenőrzési és karbantartási naplóba.

Minden alkalommal győződjön meg arról, hogy a 3M használati útmutatójának legújabb verzióját használja. A legfrissebb használati útmutatókért látogasson el a 3M weboldalára, vagy forduljon a 3M műszaki ügyfélszolgálatához.

## TERMÉK LEÍRÁSA:

Az 1. ábrán a 3M™ DBI-SALA™ digitális csörlő látható. A digitális sorozatba tartozó csörlők a munkahelyzet pozicionálására, a dolgozók mozgatására, anyagkezelésre, mászásvédelemre, illetve mentésre és evakuálásra szolgálnak. Ezeket a csörlőmodelleket 3M gyártmányú zuhanásvédelmi állvánnyal, darukarral vagy más tartószerkezettel kell használni, és olyan helyzetekben alkalmazhatók, amikor a dolgozókat vagy az anyagokat 88 méteres magasságig (290 láb) fel kell emelni vagy le kell eresztetni. A 2. ábra a digitális csörlő és a folyamatos adagolású csörlő alkatrészeit mutatja be.

**A. Munkahelyzet beállítása:** Az alkalmazás körébe tartozik a dolgozó felfüggesztése hintában vagy hevederzetben. A felfüggesztett dolgozóhoz tartalék zuhanásgátló rendszert kell csatlakoztatni.

**B. Dolgozók mozgatása:** Munkaszinten a dolgozót már nem támogatja a csörlő. A csörlő használata közben a dolgozóhoz tartalék zuhanásgátló rendszert kell csatlakoztatni.

**C. Mentés és evakuálás:** Veszélyes helyzetben lévő vagy sérült dolgozó vagy mentőszemélyzet felemelésére vagy leengedésére szolgál. Az alkalmazás körébe tartozik a munkavégzés céljából engedélyköteles és nem engedélyköteles szűk terekbe való bejutás. Mentési vagy evakuálási helyzetekben használjon tartalék zuhanásgátló rendszert.

**D. Mászásvédelem:** Rögzített létrán vagy hasonló szerkezeten felfelé vagy lefelé haladó dolgozó védelmére szolgál. Ez a csörlő olyan szerkezetek esetében használható, ahol a mászásvédelem egyéb módjai, például a tartósan rögzített létrát magukba foglaló biztonsági rendszerek vagy a személyi zuhanásgátló rendszerek nem kivitelezhetők. Az ilyen módon való alkalmazáshoz a következő feltételeknek kell teljesülniük:

- A létra vagy a hágcsó jó állapotban van, és lehetővé teszi az egyenes irányú, folyamatos mászást.
- A létrán felmászó dolgozó testhevederzetet visel, és a csörlő kötele a heveder hátoldali (háti) D-gyűrűjéhez csatlakozik.
- A csörlő kezelője képzett és kompetens a csörlő működtetésében.
- Nem lazulhat a kötéll, ha a dolgozó felfelé vagy lefelé halad a létrán.
- Az energiaelnyelő rögzítőköteleket a hátoldali D-gyűrű és a csörlő kötele között kell csatlakoztatni.

## 1 – táblázat Specifikációk

Rendszerspecifikációk:	
<b>Kapacitás</b>	A termék maximális terhelhetősége egy személy, akinek teljes maximális tömege (beleértve a szerszámokat, ruhákat és eszközöket) 204 kg (450 font).
<b>Burkolat anyaga</b>	Porfestett bevonattal ellátott öntött alumínium
<b>A biztosítókötél anyaga</b>	5 mm (3/16 hüvelyk) rozsdamentes acél 6 mm (1/4 hüvelyk) rozsdamentes acél 5 mm (3/16 hüvelyk) horganyzott acél 6 mm (1/4 hüvelyk) Technora kötél 12 mm (1/2 hüvelyk) kernmantle kötél
<b>A felszerelés követelményei (lásd a 7. ábrát)</b>	Jobbkezes konfiguráció (A): A kábel 1051 N*m nyomatékkerheléssel és 14 k*N húzási irányú nyomatékkal, hátulról csévélődik.  Balkezes konfiguráció (B): A kábel 3194 N*m nyomatékkerheléssel és 14 k*N húzási irányú nyomatékkal, felülről csévélődik.

### Digitális csörlő

Szemléltetés a 2. ábrán	Alkatrész
(A)	Csőrlő
(B)	Elsődleges hajtóagy, 4:1 csökkentő áttétel
(C)	Másodlagos hajtóagy, 9:1 csökkentő áttétel
(D)	Kábelrögzítő
(E)	Hordozófogantyú
(F)	Kézi hajtóagyak
(G)	Levehető hajtókar
(H)	Univerzális szerelőlap

## 1 – táblázat Specifikációk

Folyamatos adagolású csörlő:	
Szemléltetés a 2. ábrán	Alkatrész
(J)	Levehető hajtókarmarkolat
(K)	Felső tárcsa
(L)	Távtartó
(M)	Felső görgő

### Méretek (lásd a 15. ábrát)

**A:** 100-as sorozatú csörlő, folyamatos adagolású csörlő (8514602)

**B:** 200-as sorozatú csörlő

**C:** 300-as sorozatú csörlő

Sorozat	Modell	Biztosítókötél hossza	Kábeltípus	Tömeg
<b>A</b>	8518567	18 m (60 ft.)	Horganyzott acél	13,8 kg (30,5 font)
	8518565	18 m (60 ft.)	Rozsdamentes acél	13,8 kg (30,5 font)
	8518571	18 m (60 ft.)	Technora kötél	12,2 kg (27 font)
	8518560	18 m (60 ft.)	Horganyzott acél	13,8 kg (30,5 font)
	8518558	18 m (60 ft.)	Rozsdamentes acél	13,8 kg (30,5 font)
	8518564	18 m (60 ft.)	Technora kötél	12,2 kg (27 font)
	8518568	27 m (90 ft.)	Horganyzott acél	14,7 kg (32,5 font)
	8518566	27 m (90 ft.)	Rozsdamentes acél	14,7 kg (32,5 font)
	8518561	27 m (90 ft.)	Horganyzott acél	14,7 kg (32,5 font)
	8518559	27 m (90 ft.)	Rozsdamentes acél	14,7 kg (32,5 font)
<b>B</b>	8518588	42 m (140 ft.)	Horganyzott acél	18,4 kg (40 font)
	8518586	42 m (140 ft.)	Rozsdamentes acél	18,4 kg (40 font)
	8518581	42 m (140 ft.)	Horganyzott acél	18,4 kg (40 font)
	8518579	42 m (140 ft.)	Rozsdamentes acél	18,4 kg (40 font)
	8518589	58 m (190 ft.)	Horganyzott acél	19,4 kg (43 font)
	8518587	58 m (190 ft.)	Rozsdamentes acél	19,4 kg (43 font)
	8518582	58 m (190 ft.)	Horganyzott acél	19,4 kg (43 font)
	8518580	58 m (190 ft.)	Rozsdamentes acél	19,4 kg (43 font)
<b>C</b>	8518610	73 m (240 ft.)	Horganyzott acél	22,6 kg (50 font)
	8518608	73 m (240 ft.)	Rozsdamentes acél	22,6 kg (50 font)
	8518603	73 m (240 ft.)	Horganyzott acél	22,6 kg (50 font)
	8518601	73 m (240 ft.)	Rozsdamentes acél	22,6 kg (50 font)
	8518611	88 m (290 ft.)	Horganyzott acél	19,5 kg (53,5 font)
	8518609	88 m (290 ft.)	Rozsdamentes acél	19,5 kg (53,5 font)
	8518604	88 m (290 ft.)	Horganyzott acél	19,5 kg (53,5 font)
	8518602	88 m (290 ft.)	Rozsdamentes acél	19,5 kg (53,5 font)
<b>Folyamatos adagolású csörlő</b>	8514602	-----	12 mm (1/2 hüvelyk) kernmantle kötél	14,6 kg (32,2 font)

**1 Teherbírás:** 140 kg (310 font) az ANSI által megkövetelt teherbírási tartomány. Ezt a terméket az OSHA-nak megfelelően legfeljebb 204 kg-os (450 font) maximális teherbírásig tesztelték.

**2 Képesített szakember:** Olyan személy, aki elismert diplomával vagy szakmai bizonyítvánnyal, illetve kiterjedt tapasztalattal rendelkezik a zuhanásvédelem területén. Ennek a személynek képesnek kell lennie a tervezésre, elemzésre, értékelésre és specifikálásra a zuhanásvédelem területén.

## 1.0 A TERMÉK ALKALMAZÁSA

**1.1 CÉL:** A 3M csörlők biztonságosak a 3M zuhanásgátló rendszerekhez, és lehetővé teszik e rendszerek használatát egyéb alkalmazás esetén. A 3M csörlőket a munkahelyzet beállításakor vagy a mentési rendszer részeként történő használatra tervezték. Az 1. ábra azonosítja a jelen felhasználói kézikönyvben tárgyalt csörlőmodelleket. A csörlő modelljétől függően a rendszerben való alkalmazások közé tartozhat az anyagmozgatás, a személyzet szállítása és a mászás. A rendszerben való alkalmazásokkal kapcsolatos további információkért lásd az 1. táblázatot.

*Soha ne használja a 3M csörlőket elsődleges zuhanásgátló eszközként zuhanásgátló rendszerben.*

- 1.2 SZABVÁNYOK:** A termék megfelel a jelen használati útmutató borítóján jelzett nemzeti vagy regionális szabványoknak. Ha a terméket továbbértékesítik az eredeti célszagraon kívülre, a viszonteladónak mellékelnie kell a jelen útmutatót annak az országnak a nyelvén, amelyben a terméket használni fogják.
- 1.3 FELÜGYELET:** A jelen eszköz használatát hozzáértő személynek<sup>1</sup> kell felügyelnie. Ezen eszköz telepítését képesített szakembernek<sup>2</sup> kell felügyelnie.
- 1.4 KÉPZÉS:** Ezt az eszközt olyan személyeknek kell üzembe helyezniük és használniuk, akiket kiképeztek annak megfelelő alkalmazására. A használati útmutatót a nemzeti, regionális vagy helyi szabványok által előírt munkavállalói képzési program részeként kell használni. Az eszköz használói és üzembe helyezői felelősek azért, hogy ismerjék a jelen használati útmutatót, ki legyenek képezve az eszköz helyes gondozására és használatára, valamint ismerjék az eszköz működésének jellemzőit, a felhasználásra vonatkozó korlátozásokat és a helytelen használatból származó következményeket.
- 1.5 MENTÉSI TERV:** A jelen eszköz és csatlakoztatott alrendszerei használata során a munkaadónak rendelkeznie kell írott mentési tervvel, valamint végre kell tudnia hajtani a tervet, és tudnia kell kommunikálni azt a felhasználóknak<sup>3</sup>, a feljogosított személyeknek<sup>4</sup> és a mentési szakembereknek<sup>5</sup>. Képzett, helyszíni mentőcsapat foglalkoztatása ajánlott. A csapattagok számára biztosítani kell a sikeres mentéshez szükséges felszerelést és eljárási módokat. Rendszeres időközönként képzést kell tartani a mentési szakemberek jártasságának biztosítása érdekében. A mentést végzők rendelkezésére kell bocsátani a jelen útmutatót. A mentési folyamat során folyamatosan rá kell látni a mentendő személyre, illetve tudni kell vele kommunikálni.
- 1.6 ZUHANÁSI TÉR:** A zuhanásgátló rendszer használatához szükséges zuhanási tér meghatározásakor a zuhanásgátló rendszer minden alkotórészét figyelembe kell venni. Elegendő zuhanási tér szükséges a zuhanás megállításához, mielőtt a használó a talajhoz vagy akadályhoz ütközne. A zuhanási tér kiszámításával kapcsolatos további információkért tekintse meg a gyártó használati útmutatóját, amely a csatlakoztatott alrendszerhez jár.
- 1.7 LENGŐZUHANÁS:** Lengőzuhanás akkor következhet be, ha a kikötési pont nem közvetlenül az esés helye felett található (lásd a 4. ábrát). Súlyos sérülést vagy halált okozhat, ha lengőzuhanás közben a zuhanó személy valamilyen tárgyhoz ütközik. Mindenképp zárja ki a lengőzuhanás lehetőségét, ha az sérülésveszélyt hordoz. Csökkentse minimálisra a lengőzuhanás esélyét azzal, hogy a kikötési pont alatti lehető legközelebbi helyen dolgozik. A felhasználó szükséges zuhanási tere (Fall Clearance, FC) növekszik a felhasználó munkavégzési körzetének (Work Radius, W) növekedésével, mivel a teljes zuhanási távolság nagyobb lesz, mintha a felhasználó közvetlenül a kikötési pont alá zuhant volna.
- 1.8 ZUHANÁST KÖVETŐEN:** Ha a jelen eszköz zuhanást gátolt meg, vagy zuhanásgátlási erőhatásnak volt kitéve, azonnal helyezze az eszközt használaton kívül. Világosan jelölje meg „NEM SZABAD HASZNÁLNI” felirattal. További információk az 5. részben találhatóak.

## 2.0 RENDSZERKÖVETELMÉNYEK

- 2.1 KIKÖTÉS:** A kikötésre vonatkozó követelmények a zuhanásvédelmi alkalmazástól függenek. Az eszközt tartó alátámasztási szerkezetnek meg kell felelnie az 1. táblázatban meghatározott kikötési specifikációknak.
- 2.2 TEHERBÍRÁS:** A teljes zuhanásvédelmi rendszer felhasználói kapacitásának felső korlátját a legalacsonyabb maximális névleges kapacitású alkotórész határozza meg. Ha például a csatlakoztatott alrendszer kapacitása kisebb, mint az Ön által használt hevederzeté, akkor meg kell felelnie a csatlakoztatott alrendszer kapacitási követelményeinek. A kapacitásra vonatkozó követelményeket illetően tekintse meg a rendszer minden egyes alkotórészére vonatkozó gyártói utasításokat.
- 2.3 KÖRNYEZETI VESZÉLYEK:** A jelen eszköz környezeti veszélyeket rejtő területen történő használata esetén további elővigyázatossági intézkedésekre lehet szükség a felhasználó sérülésének, illetve az eszköz károsodásának elkerülése érdekében. Ilyen veszélyek lehetnek – egyebek mellett – a következők: magas hő, vegyszerek, korrozív környezet, nagy feszültségű elektromos vezetékek, robbanásveszélyes vagy mérgező gázok, mozgó gépek, éles szegélyek, magasban lévő tárgyak, amelyek leeshetnek, és érintkezhetnek a felhasználóval vagy az eszközzel. További részletekért vegye fel a kapcsolatot a 3M műszaki szolgálatával.
- 2.4 BIZTOSÍTÓKÖTÉLLEL KAPCSOLATOS VESZÉLYEK:** Gondoskodjon arról, hogy a biztosítókötélnél semmilyen veszély ne álljon fenn – például a következők: összeakadás más felhasználóval, dolgozóval, mozgó berendezéssel vagy egyéb környező tárggyal, illetve a biztosítókötélre vagy a felhasználókra zuhanás lehetőségét hordozó tárgyak.

**1 Hozzáértő személy:** Olyan személy, aki képes felismerni a meglévő és az előre jelezhető kockázatokat az alkalmazottak szempontjából egészségtelen, fokozott kockázatú vagy veszélyes környezetben, illetve munkahelyi feltételek mellett, továbbá rendelkezik jogosultsággal az ezen kockázatokat kiküszöbölő, azonnali helyesbítő intézkedések végrehajtására.

**2 Képesített szakember:** Elismert képesítéssel, bizonyítvánnyal vagy professzionális pozícióval rendelkező személy, vagy olyan személy, aki széles körű ismereteivel, képzettségével és tapasztalatával sikeresen igazolta, hogy képes megoldani vagy elhárítani zuhanásvédelmi és mentési rendszerekkel kapcsolatos problémákat a vonatkozó országos, területi és helyi szabályozások által megkövetelt mértékben.

**3 Felhasználó:** Személy, aki tevékenységet végez zuhanásvédelmi rendszer által biztosított védelem mellett.

**4 Feljogosított személy:** A munkaadó által az olyan helyen végzett feladatok ellátására kijelölt személy, ahol az adott személy zuhanásveszélynek van kitéve.

**5 Mentési szakember:** A mentési rendszert asszisztált mentés végrehajtásához használó személy.



- 2.5 ÉLES SZEGÉLYEK:** Ne használja ezt az eszközt, ha a rendszer alkotóelemei éles szegéllyel érintkeznek, illetve éles szegélyhez vagy érdes felülethez súrlódnak. Ha az érintkezés elkerülhetetlen, az éles szegélyeket és az érdes felületeket védőanyaggal kell bevonni.
- 2.6 AZ ALKATRÉSZEK KOMPATIBILITÁSA:** A 3M eszközt kizárólag a 3M által jóváhagyott alkatrészekkel és alrendszerrel együtt történő alkalmazásra tervezték. A jóvá nem hagyott alkatrészekkel vagy alrendszerrel történő helyettesítés, illetve pótlás veszélyeztetheti az eszköz kompatibilitását, valamint befolyásolhatja az egész rendszer biztonságát és megbízhatóságát.
- 2.7 A CSATLAKOZÓ KOMPATIBILITÁSA:** A csatlakozók akkor tekinthetők a csatlakozó elemekkel kompatibilisnek, ha azok a kialakításuknak (méretüknek és alakjuknak) köszönhetően a tájolásuktól függetlenül nem idézik elő a reteszelőmechanizmus véletlenszerű oldását. A kompatibilitással kapcsolatos kérdésekkel forduljon a 3M vállalathoz.
- A csatlakozóknak (biztonsági horgok és karabinerek) képesnek kell lenniük legalább 22,2 kN (5000 font) tömeget megtartani. A csatlakozóelemeknek kompatibiliseknek kell lenniük a kikötéssel vagy a rendszer egyéb alkatrészeivel. Ne használjon olyan eszközt, amely nem kompatibilis. A nem kompatibilis csatlakozók véletlenül szétkapcsolódhatnak (lásd az 5. ábrát). A csatlakozóelemeknek méret, alak és teherbírás szempontjából egyaránt kompatibilisnek kell lenniük. Ha a csatlakozóelem, amelyhez biztonsági horog vagy karabiner csatlakozik, túlságosan kis méretű, illetve szabálytalan alakú, előfordulhat, hogy a csatlakozóelem erőt fejt ki a biztonsági horog vagy a karabiner rugós billentyűjére (A). Ez az erő a rugós billentyűt nyitásra készítheti (B), aminek következtében a biztonsági horog vagy a karabiner lekapcsolódhat a csatlakozási pontról (C).
- 2.8 CSATLAKOZTATÁSOK:** A jelen eszközzel kizárólag önreteszelő biztonsági horgokat és karabinereket szabad használni. Ellenőrizze, hogy minden csatlakozóelem – méret, alak és teherbírás szempontjából – kompatibilis-e. Ne használjon olyan eszközt, amely nem kompatibilis. Ellenőrizze, hogy minden csatlakozóelem teljesen záródott és reteszelődőtt-e.
- A 3M csatlakozók (biztonsági horgok és karabinerek) kizárólag az egyes termékek használati útmutatójában meghatározott módon alkalmazhatók. A helytelen csatlakoztatást bemutató példák a 6. ábrán láthatók. Ne csatlakoztasson biztonsági horgot és karabinert:
- olyan D-gyűrűhöz, amelyhez másik csatlakozóelem csatlakozik.
  - úgy, hogy az terhelést jelentsen a rugós billentyű számára. A nagy nyílású biztonsági horgokat nem szabad szabványos méretű D-gyűrűhöz vagy olyan hasonló tárgyhoz csatlakoztatni, amelyek a rugós billentyű terhelését eredményeznék a horog vagy a D-gyűrű elfordulásakor vagy elcsavarodásakor, hacsak a biztonsági horog nem 16 kN-os (3600 fonterős) rugós billentyűvel van felszerelve. A biztonsági horgon található jelölés alapján győződjön meg arról, hogy az megfelelő eszköz az adott alkalmazáshoz.
  - helytelen összekapcsolódással, amikor a biztonsági horgból vagy karabinerből kiálló részek beakadnak a kikötőeszközbe, és szemrevételezéses ellenőrzés hiányában teljes értékűnek tűnik a kapcsolat a kikötési ponttal.
  - egymáshoz.
  - közvetlenül a szövethederhez vagy rögzítő-, illetve tartókötelhez (hacsak a gyártónak mind a rögzítőkötelre, mind a csatlakozóra vonatkozó utasításai az ilyen jellegű csatlakoztatást kifejezetten nem engedélyezik).
  - bármely olyan tárgyhoz, amelynek alakja vagy mérete miatt a biztonsági horog vagy a karabiner nem tud záródni, illetve reteszelődni, vagy amelynél kicsúszás fordulhat elő.
  - úgy, hogy az gátolja a csatlakozóelem terhelés alatti megfelelő beállítását.

### 3.0 FELSZERELÉS

**3.1 TERVEZÉS:** A digitális csörlő felszerelése előtt tervezze meg a zuhanásvédelmi rendszert. Vegyen figyelembe minden tényezőt, amely zuhanás előtt, alatt és után befolyásolhatja a biztonságát. Vegye figyelembe a 2. részben és az 1. táblázatban megadott összes előírást, korlátozást és specifikációt.

### 3.2 CSÖRLŐ FELSZERELÉSE DARUKARRA VAGY HÁROMLÁBÚ ÁLLVÁNYRA:

**CSÖRLŐ TELEPÍTÉSE:** Lásd a 8. ábrát.

1. lépés: Szerelje fel a csörlőt a tartószerkezetre úgy, hogy a gyorsrögzítő keret hornyolt végét a szerelőkeret rögzített csapjára (A) helyezi.

2. lépés: Forgassa a csörlőt felfelé, hogy a szerelőkeretek furatait egymáshoz igazítsa.

3. lépés: Illessze a reteszelő rögzítőcsapot (B) a furatokba, hogy a csörlő a tartószerkezethez rögzüljön.

**A huzalkötél forgatható tárcsáinak legalább 6,4 cm (2,5 hüvelyk) átmérőjű futófelülettel kell rendelkezniük.**

### 3.3 A CSÖRLŐ MŰKÖDTETÉSE:

**A. CSÖRLŐKÖTÉL HOZZÁKAPCSOLÁSA EGY TEHERHEZ:** Lásd a 10. ábrát. A: Csörlőkötél, B: Y típusú rögzítőkötél, C: Másodlagos biztosítókötél, D: Válloldali D-gyűrű, E: Hátoldali D-gyűrű, F: Kikötőadapter, G: Anyagteher. Másodlagos személyi zuhanásgátló rendszert nem igénylő alkalmazások esetén a csörlőkötélet a dolgozó hátoldali D-gyűrűjéhez kell csatlakoztatni. Másodlagos személyi zuhanásgátló rendszert igénylő alkalmazások esetén a csörlőkötélet egy Y típusú rögzítőkötélhez kell csatlakoztatni, és ezt a rögzítőkötélet a dolgozó hevederzetének válloldali D-gyűrűjéhez kell csatlakoztatni. A másodlagos biztosítókötélet a dolgozó hevederzetének hátoldali D-gyűrűjéhez kell csatlakoztatni. Anyagmozgatási felhasználás esetén csatlakoztassa a csörlőkötélet a teherhez egy kikötőadapter vagy más kikötőeszköz segítségével.

**B. DIGITÁLIS CSÖRLŐ MŰKÖDTETÉSE:** Csatlakoztassa a csörlőt a tartószerkezethez a 3.4. szakaszban leírtak szerint. Helyezze a csörlő hajtókarjának markolatát a 9:1 vagy 4:1 hajtóagyba, és határozottan nyomja befelé, amíg a markolat rugós füle a helyére nem pattan (a markolat fogantyújának kifelé kell néznie).

A hajtókar markolatának a hajtóagyról való eltávolításához nyomja le a rugós fület, és húzza ki a markolatot a hajtóagyból.

Távolítsa el a kötelet a csörlődobról a hajtókar leeresztési irányba való forgatásával (az óramutató járásával ellentétes irányba). Alkalmazzon nagyjából 4,5 kg (10 font) nyomást a kötéltre, miközben eltávolítja a dobrol. Vezesse át a kötelet a tartószerkezet tárcsarendszerén. A kötélt elvezetésével kapcsolatban lásd a tartószerkezet használati útmutatóját.

**TEHER FELEMELÉSE:** Forgassa le a csörlő hajtókarját az emelési irányba (az óramutató járásával megegyező irányba). A teher megtartásához vagy pillanatnyi felfüggesztéséhez állítsa le a forgatást. Az automatikus fék megtartja a terhet, ha a markolatot elengedik. Ne lépje túl a 204 kg (450 font) névleges kapacitást.

**TEHER LEERESZTÉSE:** Forgassa a csörlő hajtókarját az alsó irányba (az óramutató járásával ellentétes irányba). A kötélt teher nélküli leengedésekor tartsa fenn a körülbelül 4,5 kg-os (10 font) feszültséget a kötélen, hogy segítse a kiengedést, és megelőzze a kábelek összegabalyodását.

**C. ERŐHATÁSJELZŐ:** Lásd a 11. ábrát. A: Normál biztonsági horgok, B: Erőhatásnak kitett biztonsági horgok, C: Az erőhatás által kiváltott terhelést jelző piros sáv. A digitális csörlőt egy erőhatásjelzőt tartalmazó forgó csatlakozóhorggal szállítjuk. Ez a jelző akkor lép működésbe, ha a csörlőt komoly erőhatás éri, vagy túllépi az emelőkapacitást egy előre meghatározott értékkel. A komoly erőhatásnak kitett horgnál piros sáv jelenik meg a forgási területen.

**D. CSÖRLŐ ELTÁVOLÍTÁSA:** Válassza le a biztosítókötélet a dolgozó hevederzetéről vagy az anyagteherről. Tartson fenn legalább 4,5 kg (10 font) terhelést a biztosítókötélen, miközben azt a dobba tekercseli. Húzza vissza a biztosítókötélet a tartószerkezeten keresztül. Addig tekercselje a biztosítókötélet a dobba, amíg a réz szorítógyűrűk és a kötélcsív hozzá nem érnek a dobhoz. Válassza le a csörlőt a tartószerkezetről.

**E. ELEKTROMOSFÚRÓ-AGY (LÁSD A 9. ÁBRÁT):** Opcionális 8512936 (A) csatlakoztatható a felhasználó felemeléséhez és leeresztéséhez egy 12,7 mm-es (1/2 hüvelykes) meghajtóval és 300 fordulat/perc maximális fűrészi fordulatszámmal rendelkező elektromos fűrógéppel (B) együtt. További részletekért lásd az 5903667-es használati útmutatót.

**3.4 TEHER RÖGZÍTÉSE:** Húzza meg a biztonsági horgot, közben pedig forgassa a markolatot az óramutató járásával ellentétes irányba, hogy meghosszabbítsa a biztosítókötélet annyira, hogy kényelmesen rögzíteni tudja hozzá a dolgozót vagy a terhet. A rögzítést a bejáratától távol végezze el, hogy ne álljon fenn a dolgozó vagy a teher lezuhanásának veszélye. Két kézzel rögzítse a biztosítókötélet; az egyik kezével tartsa feszesen a biztosítókötélet, a másikkal pedig nyomja le a zárát, és nyissa ki a rugós billentyűt a biztonsági horgon. Illessze a horgot a hevederzet D-gyűrűjébe. Engedje el a rugós billentyűt, és győződjön meg róla, hogy a biztonsági horg biztonságosan rögzítve van a D-gyűrűhöz.

### 3.5 A RENDSZER ÉPSÉGE: Ellenőrizze a rögzítés és a tartószerkezet épségét az alábbiak szerint:

**A.** Forgassa a csörlő markolatát az emelési irányba a kötélt szorulásáig. A dolgozónak lassan át kell helyeznie súlyát a hevederzetre és a biztosítókötélre, amíg mindkét lábát fel nem tudja emelni a talajról.

**B.** Győződjön meg arról, hogy a csörlő álló helyzetben tartja a dolgozót. Ekkor úgy állítsa be a hevederzet illeszkedését, hogy ne csipődjön be, ne dörzsölődjön, és ne szoruljon.

**Ne használja a csörlőt egynél több személy emelésére vagy leeresztésére. A maximális emelőkapacitás 2,0 kN (450 lbf).**

**3.6 A DOLGOZÓ LEERESZTÉSE:** A kezelőnek az óramutató járásával ellentétes irányba kell forgatnia a csörlő markolatát a biztosítókötél kiengedéséhez. A kiengedés közben a kezelőnek kesztyűs kézzel kell a biztosítókötélet fognia, hogy a biztosítókötél enyhe feszességét fenntartsa.

Ha használat közben a kötél feszessé vagy lazává válik, kérdezze meg a kötéllel rögzített dolgozót, hogy van-e bármilyen probléma. Korrigálja a rendszert a folytatás előtt.

**Ha a leeresztés során enyhül a forgatási feszültség, akkor a leeresztett személy vagy anyag elérte a munkavégzés szintjét, vagy akadályba ütközött. Ne folytassa a forgatást anélkül, hogy kommunikálna a személlyel, vagy ellenőrizné a leeresztett anyagot. Mindig tartsa feszesen a kábelt. A laza kábel szabadesést okozhat.**

Amíg a dolgozó fel van függesztve, tartsa a biztosítókötelet a függőlegeshez képest legfeljebb 5 fokos szögben. A dolgozó súlyosan megsérülhet lengőzuhanás közben, ha a szög 5 fokosnál nagyobb. Ha a dolgozó nincs felfüggesztve, és a leesés veszélye nem áll fenn, a kezelő kiengedhet megfelelő hosszúságú (legfeljebb 0,6 m vagy 2 láb) kötelet, hogy a dolgozó kényelmesen dolgozhasson. A kezelő tartsa a kötelet úgy, hogy mindig legyen egy kis feszültség. Folyamatos kommunikációt kell fenntartani a dolgozó és a kezelő között.

**A biztosítókötél utolsó 3 méterét (10 láb) piros jelölő jelzi, és ezt a részt nem szabad lecsévélni a doból. Ilyen hosszúságú résszel kell körbetekerni a dobot ahhoz, hogy a biztosítókötél megfelelően ki legyen kötve, és hogy a biztosítókötél feltekerési iránya helyes maradjon. Ha meglátja a piros jelölőt, ne engedje tovább a biztosítókötelet. Csak úgy szabad a biztosítókötelet a dobba tekerni, hogy a hajtókart az „emelési” (az óramutató járásával ellentétes) irányba forgatja. Rendszeresen ellenőrizze, hogy a biztosítókötél egyenletesen tekeredik-e a dobon. A biztosítókötél kezelésekor viseljen kesztyűt.**

- 3.7 DOLGOZÓ VISSZAHÚZÁSA:** Kommunikáljon a dolgozóval, amikor vissza készül húzni őt, és tartsa fenn a kommunikációt az egész folyamat során. Helyezze a hajtókart a 4:1 vagy 9:1 hajtóagyba, hogy a forgatási erő kényelmes tartományban maradjon. Húzza vissza a biztosítókötelet, és eressze le a dolgozót. Tartson fenn egyenletes visszahúzási ütemet. Ha a csörlő markolatán hirtelen megnövekszik a forgatási teher, hagyja abba a forgatást, és vizsgálja meg a rendszert. A folytatás előtt határozza meg az okot, és hárítsa el a problémát. A visszahúzás után támassza alá a terhet vagy a dolgozót, és válassza le róla a biztosítókötelet.
- 3.8 TEHETETLENSÉGI FÉK:** A digitális csörlő egy folyamatosan működő fékkel rendelkezik, amely megtartja a felfüggesztett terhet, amikor a hajtókar markolatát elengedik. A fék három független rögzítőkampóból áll. Az elsődleges fék csak akkor hibásodhat meg, ha mind a három rögzítőkampó kezelhetetlenné válik. A csörlő rendelkezik egy másodlagos tehetetlenségi fékkel arra az esetre, ha az elsődleges fék meghibásodna. Ha az elsődleges fék meghibásodik, a csörlő addig forog szabadon, amíg a tehetetlenségi fék be nem kapcsol, és meg nem állítja a kábelt. A tehetetlenségi fék bekapcsolása előtt legfeljebb 1 m (3 láb) kábel szabadulhat ki.
- 3.9 BALKEZES VISSZAHÚZÁS:** A digitális csörlőt át lehet állítani balkezes visszahúzásra. Az átállításhoz távolítsa el a kábelrögzítő rugót, és rögzítse azt a szerelőlap másik végén lévő furathoz ugyanezzel az alkatrészsel. Távolítsa el a hordozófogantyút a két csavar eltávolításával, amelyek a csörlőhöz erősítik, és helyezze át a csörlő másik oldalára. Az összes rögzítőelem stabilizálásához használjon eltávolítható menetrögzítőt, például Loctite 242-t. A csörlő most a csörlő bal oldalán található markolattal szerelhető fel a szerelőkeretre.

**A bal oldali összeállításban a csörlő a dob tetejéről adagolja a kábelt, így megváltoznak a terhelőnyomaték-követelmények. Lásd az 1. táblázatot.**

- 3.10 KÖTÉL FELSZERELÉSE:** A folyamatos adagolású csörlő 12 mm átmérőjű, tetszőleges hosszúságú kernmantle kötelet képes befogadni. A telepítési eljárások attól függően változnak, hogy a kötél az egyik végén biztonsági horoggal van-e lezárva.

**Miután a kötelet bevezette a folyamatos adagolású csörlőbe, előfordulhat, hogy teher megemeléskor nyomást kell gyakorolnia a kötél szabad végére, hogy a kötél teljesen a dobba helyeződjön.**

**Mindig győződjön meg róla, hogy a kötél elég hosszú ahhoz, hogy biztonságosan működtethesse a csörlőt anélkül, hogy elfogyna a kötél.**

**BIZTONSÁGI HOROG NÉLKÜL:** A biztonsági horog nélküli kötelet a felhasznált kötél hosszúságától függően bármelyik végéről be lehet vezetni a folyamatos adagolású csörlőbe:

**FELSZERELÉS A KÖTÉL ELEJÉTŐL:** Lásd a 13. ábrát.

1. lépés: Rögzítse a folyamatos adagolású csörlőt egy megfelelő kikötési ponthoz (háromlábú alapzat, darukar stb.).
2. lépés: Helyezze a kötél elejét a távtartó (13.1A) alá, valamint a dob és a felső görgő (13.1B) közé.
3. lépés: Óvatosan vezesse a kötelet a csörlőben, miközben az óramutató járásával ellentétes irányba forgatja a hajtókar markolatát. Ahogy a kötél áthalad a csörlőn (13.2. ábra), győződjön meg róla, hogy a kötél a távtartón (13.2A) keresztül, valamint a nagy felső tárcsa alatt (13.2B) jön ki a csörlőből. Szükség lehet a kötél felső tárcsa előtti átvezetésére.
4. lépés: Folytassa a markolat forgatását, és vezesse át a kötél végét a darus rendszer tárcsáján vagy kábelvezetőjén.

**FELSZERELÉS A KÖTÉL VÉGÉTŐL:** Lásd a 14. ábrát.

1. lépés: Rögzítse a folyamatos adagolású csörlőt a megfelelő kikötési ponthoz (háromlábú alapzat, darukar stb.).
2. lépés: Helyezze a kötél végét a távtartó (14.1A) fölé, valamint a dob és a nagy felső tárcsa (14.1B) közé.

3. lépés: Óvatosan vezesse a kötelet a csörlőbe, miközben az óramutató járásával megegyező irányba forgatja a hajtókar markolatát. Ahogy a kötélet áthalad a csörlőn (14.2. ábra), győződjön meg róla, hogy a kötélet vége a távtartó alatt (14.2A) és a felső görgő (14.2B) felett lép ki a csörlőből. Szükség lehet a kötélet távtartó (14.1A) előtti átvezetésére.

4. lépés: Folytassa a hajtókar forgatását, amíg a kötélet körül nem fogja a felső görgőt, és le nem lóg a csörlőről.

**3.12 KÖTÉL FELSZERELÉSE BIZTONSÁGI HOROGGAL:** Ha az egyik végén rögzítő horoggal rendelkező kötelet szerel fel, a kötelet megfelelően kell átvezetni a kikötési szerkezeten (pl. tárcsán, görgőn), és a szabad végét a „Felszerelés a kötélet végétől” részben tárgyalt módon kell a folyamatos adagolású csörlőn átvezetni.

**3.13 KÖTÉLVÉGZŐDÉS:** A kötélet szabad végét rögzíteni kell, vagy össze kell kötni egy csomóval, hogy a kötélet szabad vége használat közben ne haladjon át a csörlőn.

## 4.0 HASZNÁLAT

**4.1 MINDEN HASZNÁLAT ELŐTT:** Ellenőrizze, hogy a munkaterület és a személyi zuhanásgátló rendszer megfelel-e a jelen útmutatóban meghatározott összes feltételnek. Ellenőrizze, hogy érvényben van-e hivatalos menekítési terv. Ellenőrizze a terméket a „felhasználói” ellenőrzési pontok szerint, amelyek az „ellenőrzési és karbantartási naplóban” vannak meghatározva. Ha az ellenőrzés során nem biztonságos vagy hibás állapotra derül fény, vagy ha bármilyen kétely merül fel a biztonságos használatra való alkalmassággal kapcsolatban, haladéktalanul vonja ki a terméket a használatból. Világosan jelölje meg „NEM SZABAD HASZNÁLNI” felirattal. További információk az 5. részben találhatóak.

## 5.0 ELLENŐRZÉS

**5.1 AZ ELLENŐRZÉS GYAKORISÁGA:** A terméket a használónak minden használat előtt, a használón kívül más hozzáértő személynek pedig legkésőbb évente le kell ellenőriznie. A felszerelés nagyobb gyakoriságú használata és a szélsőségesebb körülmények miatt szükség lehet arra, hogy hozzáértő személyek gyakrabban ellenőrizzék. Ezeknek az ellenőrzéseknek a gyakoriságát a hozzáértő személynek kell meghatároznia a munkaterület egyedi körülményei alapján.

**5.2 ELLENŐRZÉSI ELJÁRÁSOK:** Ellenőrizze a terméket az „ellenőrzési és karbantartási naplóban” felsorolt eljárásoknak megfelelően. A berendezés tulajdonosának minden ellenőrzésről dokumentációt kell vezetnie. Az ellenőrzési és karbantartási naplót a termék közelében kell elhelyezni, vagy más módon könnyen hozzáférhetőnek kell lennie a felhasználók számára. Ajánlott a terméken megjelölni a következő vagy legutóbbi ellenőrzés dátumát.

**10 000 ciklusonként vagy 5 évente:** Javasoljuk, hogy a csörlőt a hivatalos gyári szervizközpont vagy a gyártó szervizelje. A szélsőséges munkakörülmények gyakoribb ellenőrzést tehetnek szükségessé. A szervizelésnek ki kell terjednie többek között az összes belső és külső alkatrész alapos ellenőrzésére és tisztítására. A megfelelő szervizelés elmulasztása lerövidítheti a termék élettartamát, és negatívan befolyásolhatja a teljesítményt.

**5.3 HIBÁK:** Ha az ellenőrzés során nem biztonságos vagy hibás állapotra derül fény, haladéktalanul vonja ki a használatból a csörlőt, és forduljon a 3M vállalathoz csere vagy javítás érdekében. Ne próbálja megjavítani a zuhanásgátló rendszert.

**Kizárólag jóváhagyott javítások:** Csak a 3M vagy az írásban meghatalmazott felek végezhetnek javítást ezen az eszközön.

**5.4 A TERMÉK ÉLETTARTAMA:** A zuhanásgátló rendszer funkcionális élettartamát a munkakörülmények és a karbantartás határozza meg. A termék mindaddig használható, amíg megfelel az ellenőrzési feltételeknek.

## 6.0 KARBANTARTÁS, SZERVIZELÉS és TÁROLÁS


**6.1 TISZTÍTÁS:** Időnként tisztítsa meg a digitális csörlő fém alkatrészeit puha kefével, meleg vízzel és enyhe szappanos vízzel. Fontos, hogy az alkatrészeket ezután alaposan öblítse le tiszta vízzel.

**6.2 SZERVIZELÉS:** A felszerelést csak a 3M vagy a 3M írásos felhatalmazásával rendelkező felek javíthatják. Ha a digitális csörlő zuhanási erőhatásnak volt kitéve, vagy ha az ellenőrzés nem biztonságos állapotot vagy hibát tár fel, akkor azonnal vonja ki a használatból, és forduljon a 3M vállalathoz csere vagy javítás érdekében.

**6.3 TÁROLÁS ÉS SZÁLLÍTÁS:** Amikor nem használja, tárolja és szállítsa a csörlőt és a kapcsolódó zuhanásvédelmi felszerelést hűvös, száraz, tiszta körülmények között, közvetlen napfénynek nem kitéve. Kerülje az olyan helyeket, ahol vegyi anyagok gőzeivel érintkezhetnek. Hosszabb tárolást követően alaposan vizsgálja át az alkatrészeket.

## 7.0 CÍMKÉK ÉS JELÖLÉSEK

A 16. ábrán a digitális csörlőn lévő címkék láthatók. A nem teljes egészében olvasható címkéket kötelező lecserélni. Az egyes címkéken közölt információk a következők:

A	 Olvasson el minden utasítást. 1) A gyártás éve és hónapja 2) Tételszám 3) Modellszám 4) Hosszúság
B	10 000 ciklus
C	A digitális csörlő útmutatócímkéje

## 2 – táblázat Ellenőrzési és karbantartási napló

Ellenőrzés dátuma:		Ellenőrizte:	
Alkatrészek:	Ellenőrzés: (Az ellenőrzés gyakoriságára vonatkozóan tájékozódjon a 5. részből.)	Felhasználó	Hozzáértő személy <sup>1</sup>
Digitális csörlő (2. ábra)	Vizsgáljon meg minden csavart és anyát. Győződjön meg róla, hogy biztonságosan csatlakoznak és szorosak. Ellenőrizze, hogy van-e hiányzó csavar, anya vagy más alkatrész, illetve helyettesítették vagy módosították-e őket. Ellenőrizze a fedőket és a burkolatokat. Ellenőrizze, hogy nincs-e rajtuk repedés, horpadás, korrózió vagy más sérülés.	<input type="checkbox"/>	<input type="checkbox"/>
Címkék (15. ábra)	Győződjön meg arról, hogy az összes címke megfelelően rögzítve van és olvasható.	<input type="checkbox"/>	<input type="checkbox"/>
Zuhanásvédelmi felszerelés	A termékhez használt további zuhanásvédelmi felszerelést a gyártó utasításai szerint kell telepíteni és ellenőrizni.	<input type="checkbox"/>	<input type="checkbox"/>
A hajtókarmarkolat csavarjai	A leszerelhető hajtókarnak biztosan kell rögzülnie az egyes hajtóagyakban, és mentesnek kell lennie repedésektől, elhajlástól és egyéb sérülésektől. Ellenőrizze, hogy a hajtókar minden markolata szoros-e. Használjon Loctite262 vagy ezzel egyenértékű menetrögzítőt a rögzítőcsavarokon azok szorosan tartásához. Csak akkor használja, ha a hajtókar teljesen működőképés.	<input type="checkbox"/>	<input type="checkbox"/>
Összekötő horog	Az összekötő horgok nem lehetnek sérültek, töröttek vagy deformálódottak, és nem lehet rajtuk éles szegély, lyuk, repedés, kopott alkatrész vagy korrózió. Ellenőrizze, hogy az összekötő horog megfelelően betölti-e a szerepét. A horog rugós billentyűjének szabadon kell mozognia, és záródáskor reteszelnie kell. A horognak szabadon kell forognia.	<input type="checkbox"/>	<input type="checkbox"/>
A fék kopásának jelzése (11A. ábra)	Vizsgálja meg a 4:1 hajtóagy közepén található fék kopásjelzőt. Ha a jelző a piros részben van, vonja ki a csörlőt a használatból, és juttassa el a 3M-nek vagy egy hivatalos szervizközpontnak.	<input type="checkbox"/>	<input type="checkbox"/>
Digitális számláló (11B. ábra)	Ha a digitális számláló az ellenőrzési naplóban rögzített utolsó gyári szerviztől számítva átlépte a 10 000. ciklust, juttassa el a csörlőt a 3M-nek vagy egy hivatalos szervizközpontnak.	<input type="checkbox"/>	<input type="checkbox"/>
Huzalkötélhibák	Vizsgálja meg a huzalkötél-szerelvény horogtól számított teljes hosszát. A huzalkötél ellenőrzésekor mindig viseljen védőkesztyűt. Ellenőrizze, hogy a kötélen meg van-e törve úgy, hogy megmarkolva végighúzza a kesztyűs kezét a huzalkötélen, és néhány centiméterenként meghajlítja, hogy jól látszódnak a törések. Vizsgálja meg, hogy nincsenek-e rajta hurkok, vágások, összezúzott és égett területek, korrózió vagy egyéb sérülés. A súlyosan sérült huzalköteleket ki kell vonni a használatból.	<input type="checkbox"/>	<input type="checkbox"/>
Szintetikus kötélen	Vizsgálja meg, hogy megfigyelhetőek-e rajta súlyos elhasználódás jelei, kirottosodott szálak, szakadt fonalak, vágások vagy horzsolások. Ne legyenek csomók, nagyobb szennyeződések, nagymértékű festék-felhalmozódások és rozsdafoltok a kötélen teljes hosszán. A kötélen nem lehetnek UV-sugárzás miatti sérülések, amelyeket elszíneződés vagy szálkák és szilánkok jelenléte jelez a kötélen felszínén. A fenti tényezők mindegyike ismerten csökkenti a kötélen erősségét. A sérült vagy gyaníthatóan sérült köteleket hivatalos szervizközpontnak kell kicserélnie.	<input type="checkbox"/>	<input type="checkbox"/>
Kötélen	Győződjön meg arról, hogy a kötélen teljesen a dobban helyezkedik el úgy, hogy egy legalább 35 kg-os (100 fontos) terhet felemel és leenged vele. Ha a kötélen elcsúszik a művelet során, feszítse meg a kötélen szabad végét, és emelje fel a terhet, amíg a kötélen vissza nem kerül a helyére.	<input type="checkbox"/>	<input type="checkbox"/>

**1. Hozzáértő személy:** Az a személy, aki képes a fennálló és előre jelezhető kockázatokat felismerni a környezetben és a munkahelyi körülményekben, amelyek az alkalmazottak szempontjából az egészségre károsak, veszélyesek, illetve kockázatosak, továbbá aki arra jogosult, hogy ezek kiküszöbölése érdekében azonnali helyesbítő intézkedéseket tegyen.

<b>Sorozatszám(ok):</b>		<b>Vásárlás dátuma:</b>
<b>Modellszám:</b>		<b>Első használat dátuma:</b>
<b>Javító intézkedés/karbantartás:</b>	Jóváhagyta:	A következő ellenőrzés esedékessége:
	Dátum:	
<b>Javító intézkedés/karbantartás:</b>	Jóváhagyta:	A következő ellenőrzés esedékessége:
	Dátum:	
<b>Javító intézkedés/karbantartás:</b>	Jóváhagyta:	A következő ellenőrzés esedékessége:
	Dátum:	
<b>Javító intézkedés/karbantartás:</b>	Jóváhagyta:	A következő ellenőrzés esedékessége:
	Dátum:	
<b>Javító intézkedés/karbantartás:</b>	Jóváhagyta:	A következő ellenőrzés esedékessége:
	Dátum:	
<b>Javító intézkedés/karbantartás:</b>	Jóváhagyta:	A következő ellenőrzés esedékessége:
	Dátum:	
<b>Javító intézkedés/karbantartás:</b>	Jóváhagyta:	A következő ellenőrzés esedékessége:
	Dátum:	
<b>Javító intézkedés/karbantartás:</b>	Jóváhagyta:	A következő ellenőrzés esedékessége:
	Dátum:	
<b>Javító intézkedés/karbantartás:</b>	Jóváhagyta:	A következő ellenőrzés esedékessége:
	Dátum:	
<b>Javító intézkedés/karbantartás:</b>	Jóváhagyta:	A következő ellenőrzés esedékessége:
	Dátum:	
<b>Javító intézkedés/karbantartás:</b>	Jóváhagyta:	A következő ellenőrzés esedékessége:
	Dátum:	
<b>Javító intézkedés/karbantartás:</b>	Jóváhagyta:	A következő ellenőrzés esedékessége:
	Dátum:	

**1 Hozzáértő személy:** Az a személy, aki képes a fennálló és előre jelezhető kockázatokat felismerni a környezetben és a munkahelyi körülményekben, amelyek az alkalmazottak szempontjából az egészségre károsak, veszélyesek, illetve kockázatosak, továbbá aki arra jogosult, hogy ezek kiküszöbölése érdekében azonnali helyesbítő intézkedéseket tegyen.

**Leggere, comprendere e seguire tutte le informazioni sulla sicurezza contenute nelle presenti istruzioni prima di utilizzare questo dispositivo di salvataggio/accesso a spazi confinati. IL MANCATO RISPETTO DELLE ISTRUZIONI PUÒ CAUSARE GRAVI LESIONI PERSONALI O MORTE.**

**Fornire le presenti istruzioni all'utente dell'attrezzatura. Conservare queste istruzioni come riferimento in futuro.**

## Uso previsto:

Questo dispositivo di salvataggio/accesso a spazi confinati deve essere utilizzato come parte di un sistema di salvataggio o protezione anticaduta personale completo.

L'utilizzo per qualsiasi altra applicazione incluse, ma non solo, applicazioni di manipolazione di materiale non approvate, attività correlate ricreative o sportive oppure altre attività non descritte nelle istruzioni per l'utente o nelle istruzioni di installazione, non è approvato da 3M e può causare gravi lesioni personali o morte.

Il presente dispositivo deve essere utilizzato esclusivamente da utenti addestrati nelle applicazioni relative all'ambito di lavoro.



## AVVERTENZA

Questo dispositivo di salvataggio/accesso a spazi confinati fa parte di un sistema di salvataggio o protezione anticaduta personale. Si prevede, pertanto, che tutti gli utenti siano completamente addestrati all'installazione e all'utilizzo sicuri del sistema completo. **L'uso improprio del presente dispositivo può comportare gravi lesioni personali o morte.** Per le modalità corrette di selezione, funzionamento, installazione, manutenzione e assistenza, consultare tutte le istruzioni del prodotto e tutte le raccomandazioni fornite dal produttore; altrimenti rivolgersi al proprio supervisore o contattare l'assistenza tecnica di 3M.

- **Per ridurre i rischi associati all'utilizzo di un dispositivo di salvataggio/accesso a spazi confinati che, se non evitati, potrebbero causare gravi lesioni personali o morte:**
  - Ispezionare il dispositivo prima di ogni uso, almeno una volta all'anno, e dopo qualsiasi evento di caduta. Le ispezioni devono essere eseguite conformemente a quanto indicato nelle istruzioni per l'utente.
  - Se, a seguito dell'ispezione, viene individuata una condizione di non sicurezza o difetto, dismettere il dispositivo e ripararlo o sostituirlo secondo le istruzioni per l'utente.
  - Ogni dispositivo che è stato sottoposto all'arresto caduta o a una forza d'impatto deve essere immediatamente rimosso dal servizio. Fare riferimento alle istruzioni per l'utente o contattare la protezione anticaduta di 3M.
  - Il dispositivo deve essere installato esclusivamente nella maniera indicata nel dettaglio nelle istruzioni di installazione o nelle istruzioni per l'utente. Installazioni e usi che fuoriescono dall'ambito delle istruzioni devono essere approvati per iscritto dalla protezione anticaduta di 3M.
  - Il substrato o la struttura a cui è attaccato il dispositivo deve essere in grado di sostenere i carichi statici specificati per il dispositivo con gli orientamenti consentiti nelle istruzioni per l'utente o nelle istruzioni di installazione.
  - Non superare il numero di utenti consentiti.
  - Non lavorare mai sotto un operatore o un carico sospeso.
  - Fare attenzione quando si installa, si utilizza o si muove il dispositivo, poiché alcune parti mobili potrebbero creare potenziali punti di impiglio. Consultare le istruzioni per l'utente.
  - Assicurarsi che le procedure di lock-out/tag-out siano state rispettate per quanto applicabile.
  - Non attaccare mai un sistema finché non è stato posizionato, assemblato completamente, regolato e installato. Non regolare il sistema quando è attaccato a un utente.
  - Collegare solo i sottosistemi di protezione anticaduta al punto di collegamento dell'ancoraggio designato sul dispositivo.
  - Prima di eseguire una perforazione o un fissaggio, assicurarsi che non ci siano linee elettriche, del gas o altri sistemi incorporati critici con cui il trapano o il dispositivo possa venire in contatto.
  - Assicurarsi che i sistemi/sottosistemi di protezione anticaduta assemblati con componenti realizzati da produttori diversi siano compatibili e soddisfino i requisiti degli standard applicabili, inclusi ANSI Z359 o altri codici, standard o requisiti relativi alla protezione anticaduta pertinenti. Consultare sempre una persona competente o qualificata prima di utilizzare questi sistemi.
- **Per ridurre i rischi associati al lavoro in altezza che, se non evitati, potrebbero causare gravi lesioni personali o morte:**
  - Assicurarsi che le proprie condizioni fisiche e di salute permettano una resistenza in completa sicurezza a tutte le forze associate al lavoro in altezza. Consultare il proprio medico in caso di domande relative alla propria capacità d'uso di questa attrezzatura.
  - Non superare mai la capacità consentita della propria attrezzatura di protezione anticaduta.
  - Non superare mai la distanza massima di caduta libera della propria attrezzatura di protezione anticaduta.
  - Non utilizzare mai un'attrezzatura di protezione anticaduta che non abbia superato l'ispezione prima dell'uso o altri controlli programmati oppure in caso di dubbi sull'uso o sull'idoneità dell'attrezzatura in merito all'applicazione. Per eventuali domande, contattare l'assistenza tecnica di 3M.
  - Alcune combinazioni di sottosistemi e componenti potrebbero compromettere il funzionamento di questa attrezzatura. Utilizzare solo collegamenti compatibili. Consultare 3M prima di utilizzare questa attrezzatura in combinazione con componenti o sottosistemi diversi da quelli descritti nelle presenti istruzioni per l'utente.
  - Prestare particolare attenzione in presenza di macchinari in movimento (ad es., il top drive delle torri di perforazione), rischi di carattere elettrico, temperature estreme, rischi di carattere chimico, gas esplosivi o tossici, bordi taglienti oppure al di sotto di materiali sospesi che potrebbero cadere sull'utente o sulla attrezzatura di protezione anticaduta.
  - Utilizzare dispositivi Arc Flash o Hot Works quando si lavora in ambienti che presentano temperature elevate.
  - Evitare superfici e oggetti che possano danneggiare l'utente o l'attrezzatura.
  - Durante il lavoro in altezza assicurarsi che ci sia un tirante d'aria di caduta adeguato.
  - Non modificare o alterare mai la propria attrezzatura di protezione anticaduta. Solo 3M o centri con autorizzazione scritta di 3M possono procedere alla riparazione dell'attrezzatura.
  - Prima di utilizzare l'attrezzatura di protezione anticaduta, assicurarsi che esista un piano di salvataggio che permetta un salvataggio immediato nel caso in cui si verifichi un incidente.
  - In caso di incidente, fare in modo che il lavoratore caduto sia sottoposto immediatamente alle cure di un medico.
  - Non utilizzare una cintura in vita per applicazioni di arresto caduta. Utilizzare esclusivamente un'imbracatura integrale.
  - Ridurre al minimo le cadute con pendolo lavorando il più possibile direttamente sotto il punto di ancoraggio.
  - Durante la formazione con questo dispositivo, deve essere utilizzato un sistema di protezione anticaduta secondario in modo da non esporre l'utente a un pericolo di caduta involontario.
  - Quando si installa, utilizza o ispeziona il dispositivo/sistema, indossare sempre i dispositivi di protezione individuale idonei.

Prima di installare e utilizzare l'attrezzatura, registrare le informazioni di identificazione del prodotto dall'etichetta identificativa nel Registro di ispezione e manutenzione che si trova sul retro del presente manuale.

Assicurarsi sempre di utilizzare l'ultima revisione del manuale di istruzioni 3M. Visitare il sito web di 3M o contattare i Servizi tecnici di 3M per i manuali di istruzioni aggiornati.

### DESCRIZIONE DEL PRODOTTO:

La Figura 1 illustra il verricello della serie digitale 3M™ DBI-SALA™. I verricelli della serie digitale vengono utilizzati per il posizionamento sul lavoro, per il trasporto del personale, la movimentazione dei materiali, la protezione per l'arrampicata o il soccorso e l'evacuazione. Questi modelli di verricello devono essere utilizzati con un treppiede con dispositivo di protezione anticaduta di 3M, con un braccio di gru o con altra struttura di supporto, inoltre possono essere utilizzati in situazioni in cui il personale o i materiali devono essere sollevati o abbassati fino a 88 m (290 ft). La Figura 2 illustra i componenti del verricello digitale e del verricello ad alimentazione continua.

**A. Posizionamento sul lavoro:** Le applicazioni includono la sospensione del lavoratore in un postazione lavorativa o un'imbracatura. Un sistema di arresto caduta di riserva deve essere agganciato al dipendente sospeso.

**B. Trasporto del personale:** A livello di lavoro, il lavoratore non è più sostenuto dal verricello. Mentre il dipendente ancora il verricello, deve essere agganciato a un sistema di arresto caduta di riserva.

**C. Soccorso ed evacuazione:** Utilizzato per sollevare o abbassare un lavoratore in pericolo o infortunato oppure il personale di soccorso. Le applicazioni comprendono lavori con ingresso in spazi confinati che richiedono o meno un permesso. Utilizzare un sistema di arresto caduta di riserva in situazioni di soccorso o di evacuazione.

**D. Protezione per l'arrampicata:** Utilizzato per proteggere un lavoratore mentre sale o scende da una scala fissa o da una struttura simile. L'utilizzo di questo verricello deve essere limitato alle strutture dove non è fattibile impiegare altri mezzi di protezione per l'arrampicata, ad esempio i sistemi di sicurezza per le scale installati in modo permanente o i sistemi di arresto caduta personale. Per questa applicazione, devono essere soddisfatte le seguenti condizioni:

- La scala o i gradini devono essere in buone condizioni e consentire una salita regolare e continua.
- Il lavoratore che sale la scala indossa un'imbracatura integrale e la linea del verricello è attaccata all'anello a D dorsale (sul retro) dell'imbracatura.
- L'operatore del verricello è addestrato e competente sul funzionamento del verricello.
- Non è consentito nessun allentamento della linea mentre il lavoratore sale o scende la scala.
- I cordini di assorbimento dell'energia devono essere attaccati tra l'anello a D dorsale dell'imbracatura e la linea del verricello.

**Tabella 1 – Specifiche**

Specifiche del sistema:	
<b>Capacità</b>	Il carico massimo di lavoro per questo prodotto corrisponde a una persona con un peso massimo combinato (compresi strumenti, abiti e attrezzatura) di 204 kg (450 lb).
<b>Materiale dell'alloggiamento</b>	Alluminio pressofuso con verniciatura a polvere
<b>Materiale della linea vita</b>	Acciaio inossidabile da 5 mm (3/16 pollici) Acciaio inossidabile da 6 mm (1/4 pollici) Acciaio zincato da 5 mm (3/16 pollici) Fune Technora da 6 mm (1/4 pollici) Fune in Kernmantle da 12 mm (1/2 pollici)
<b>Requisiti di montaggio (vedere Figura 7)</b>	Configurazione con maniglia a destra (A): Alimentazione del cavo dal basso con carico momentaneo di 1.051 N*m (775 ft-lb) e 14 kN (3.100 lb*f) in direzione di trazione. Configurazione con maniglia a sinistra (B): Alimentazione del cavo dalla parte superiore con un carico momentaneo di 3.194 N*m (2.356 ft-lb) e 14 kN (3.100 lb*f) in direzione di trazione.
Verricello digitale	
Figura 2 di riferimento	Componente
(A)	Verricello
(B)	Mozzo di azionamento principale. Rapporto di riduzione 4:1
(C)	Mozzo di azionamento secondario. Rapporto di riduzione 9:1
(D)	Molla di bloccaggio del cavo
(E)	Maniglia di trasporto
(F)	Mozzi ad azionamento manuale
(G)	Braccio della manopola rimovibile
(H)	Piastra di montaggio universale



**Tabella 1 – Specifiche**

<b>Verricello ad alimentazione continua:</b>	
<b>Figura 2 di riferimento</b>	<b>Componente</b>
ⓐ	Maniglia della manovella rimovibile
ⓑ	Puleggia superiore
ⓒ	Distanziatore
ⓓ	Rullo superiore

**Dimensioni (vedere Figura 15)**

**A:** Verricello serie 100, verricello ad alimentazione continua (8514602)

**B:** Verricello serie 200

**C:** Verricello serie 300

<b>Serie</b>	<b>Modello</b>	<b>Lunghezza della linea vita</b>	<b>Tipo di cavo</b>	<b>Peso</b>
<b>A</b>	8518567	18 m (60 ft)	Acciaio zincato	13,8 kg (30,5 lb)
	8518565	18 m (60 ft)	Acciaio inossidabile	13,8 kg (30,5 lb)
	8518571	18 m (60 ft)	Fune Technora	12,2 kg (27 lb)
	8518560	18 m (60 ft)	Acciaio zincato	13,8 kg (30,5 lb)
	8518558	18 m (60 ft)	Acciaio inossidabile	13,8 kg (30,5 lb)
	8518564	18 m (60 ft)	Fune Technora	12,2 kg (27 lb)
	8518568	27 m (90 ft)	Acciaio zincato	14,7 kg (32,5 lb)
	8518566	27 m (90 ft)	Acciaio inossidabile	14,7 kg (32,5 lb)
	8518561	27 m (90 ft)	Acciaio zincato	14,7 kg (32,5 lb)
	8518559	27 m (90 ft)	Acciaio inossidabile	14,7 kg (32,5 lb)
<b>B</b>	8518588	42 m (140 ft)	Acciaio zincato	18,4 kg (40 lb)
	8518586	42 m (140 ft)	Acciaio inossidabile	18,4 kg (40 lb)
	8518581	42 m (140 ft)	Acciaio zincato	18,4 kg (40 lb)
	8518579	42 m (140 ft)	Acciaio inossidabile	18,4 kg (40 lb)
	8518589	58 m (190 ft)	Acciaio zincato	19,4 kg (43 lb)
	8518587	58 m (190 ft)	Acciaio inossidabile	19,4 kg (43 lb)
	8518582	58 m (190 ft)	Acciaio zincato	19,4 kg (43 lb)
	8518580	58 m (190 ft)	Acciaio inossidabile	19,4 kg (43 lb)
<b>C</b>	8518610	73 m (240 ft)	Acciaio zincato	22,6 kg (50 lb)
	8518608	73 m (240 ft)	Acciaio inossidabile	22,6 kg (50 lb)
	8518603	73 m (240 ft)	Acciaio zincato	22,6 kg (50 lb)
	8518601	73 m (240 ft)	Acciaio inossidabile	22,6 kg (50 lb)
	8518611	88 m (290 ft)	Acciaio zincato	19,5 kg (53,5 lb)
	8518609	88 m (290 ft)	Acciaio inossidabile	19,5 kg (53,5 lb)
	8518604	88 m (290 ft)	Acciaio zincato	19,5 kg (53,5 lb)
	8518602	88 m (290 ft)	Acciaio inossidabile	19,5 kg (53,5 lb)
<b>Verricello ad alimentazione continua</b>	8514602	-----	Fune in Kernmantle da 12 mm (1/2 pollici)	14,6 kg (32,2 lb)

**1 Capacità:** 140 kg (310 lb) è il range di capacità richiesto da ANSI. Questo prodotto è stato testato su una capacità massima di 204 kg (450 lb) conformemente a OSHA.

**2 Persona qualificata:** Persona con un diploma o un certificato professionale riconosciuto e un'esperienza approfondita nel campo della protezione anticaduta. Questa persona deve essere in grado di progettare, analizzare, valutare e specificare i dati della protezione anticaduta.

## 1.0 APPLICAZIONE DEL PRODOTTO

**1.1 SCOPO:** I verricelli 3M si fissano ai sistemi di arresto caduta 3M e consentono di utilizzare questi sistemi per altre applicazioni. I verricelli 3M sono progettati per essere utilizzati come parte di un sistema di posizionamento sul lavoro o di salvataggio. La Figura 1 mostra i modelli di verricello descritti nel presente manuale di istruzioni. A seconda del modello di verricello, le applicazioni del sistema possono comprendere anche la movimentazione dei materiali, il trasporto del personale e l'arrampicata. Per ulteriori informazioni sulle applicazioni del sistema, fare riferimento alla Tabella 1.

*Non utilizzare mai i verricelli 3M come principali dispositivi anticaduta in un sistema di arresto caduta.*

- 1.2 STANDARD:** Il prodotto è conforme agli standard nazionali segnalati sulla copertina di queste istruzioni. Se il prodotto viene rivenduto al di fuori del paese di destinazione originario, il rivenditore dovrà fornire le presenti istruzioni nella lingua del paese in cui dovrà essere utilizzato l'articolo.
- 1.3 SUPERVISIONE:** L'utilizzo dell'attrezzatura deve essere supervisionato da una persona competente<sup>1</sup>. L'installazione dell'attrezzatura deve essere supervisionata da una persona qualificata<sup>2</sup>.
- 1.4 FORMAZIONE:** L'attrezzatura deve essere installata e utilizzata da personale addestrato per la sua corretta applicazione. Queste istruzioni devono essere utilizzate nell'ambito di un programma di formazione dei dipendenti, come richiesto dagli standard nazionali, regionali o locali. È responsabilità degli utenti e degli installatori dell'attrezzatura assicurarsi di conoscere queste istruzioni, di essere correttamente addestrati sulle procedure di uso e manutenzione, di essere consapevoli delle caratteristiche di funzionamento, dei limiti di applicazione e delle conseguenze di un uso improprio.
- 1.5 PIANO DI SALVATAGGIO:** Durante l'utilizzo della presente attrezzatura e dei sottosistemi di connessione, il datore di lavoro deve disporre di un piano di salvataggio, nonché dei mezzi per implementarlo e comunicarlo agli utenti<sup>3</sup>, persone autorizzate<sup>4</sup> e soccorritori<sup>5</sup>. Si raccomanda la presenza sul posto di una squadra di soccorso addestrata. I membri della squadra devono conoscere le tecniche e disporre dell'attrezzatura necessaria ad eseguire con successo il salvataggio. La formazione deve essere erogata con regolarità per garantire la massima competenza dei soccorritori. I soccorritori devono disporre delle presenti istruzioni. Dovrebbe essere previsto un contatto visivo o dei mezzi di comunicazione con la persona che viene salvata in ogni momento della procedura di salvataggio.
- 1.6 TIRANTE D'ARIA:** Quando si determina il tirante d'aria richiesto da un sistema anticaduta, è necessario tenere in considerazione ogni componente del sistema. Deve essere previsto un tirante d'aria sufficiente ad arrestare un'eventuale caduta, che prevenga l'impatto dell'operatore con il terreno o altri ostacoli. Per ulteriori informazioni sul calcolo del tirante d'aria, fare riferimento alle istruzioni del produttore incluse con il sottosistema di collegamento.
- 1.7 CADUTE CON PENDOLO:** Le cadute con pendolo si verificano quando il punto di ancoraggio non è esattamente al di sopra del punto in cui si verifica la caduta (vedere Figura 4). La forza d'urto contro un oggetto durante una caduta con pendolo può causare lesioni gravi o anche il decesso. Per evitare lesioni, prevenire le cadute con pendolo. Ridurre al minimo le cadute con pendolo lavorando il più possibile direttamente sotto il punto di ancoraggio. Il tirante d'aria richiesto per l'utente aumenta all'aumentare del raggio d'azione dell'operatore (W), poiché la distanza di caduta totale sarà maggiore rispetto a quella che si avrebbe se l'operatore fosse caduto direttamente sotto il punto di ancoraggio.
- 1.8 DOPO UNA CADUTA:** Se l'attrezzatura è soggetta a una forza di arresto caduta o forza di impatto, rimuoverla immediatamente dal servizio. Apporre un'etichetta che indichi in modo chiaro "NON USARE". Per ulteriori informazioni, consultare la Sezione 5.

## 2.0 REQUISITI DEL SISTEMA

- 2.1 ANCORAGGIO:** I requisiti di ancoraggio variano in base all'applicazione della protezione anticaduta. La struttura di montaggio su cui è posizionato il dispositivo deve rispondere alle specifiche di ancoraggio riportate nella Tabella 1.
- 2.2 CAPACITÀ:** La capacità dell'utente di un sistema di protezione anticaduta completo è limitata dal suo componente di capacità massima nominale più basso. Ad esempio, se il sottosistema di connessione ha una capacità inferiore all'imbracatura, è necessario soddisfare i requisiti di capacità del sottosistema di connessione. Per i requisiti di capacità, consultare le istruzioni del produttore per ogni componente del sistema.
- 2.3 PERICOLI AMBIENTALI:** L'utilizzo dell'attrezzatura in aree soggette a rischi ambientali può richiedere ulteriori precauzioni per prevenire infortuni dell'operatore o danni all'attrezzatura. I pericoli possono comprendere, a titolo indicativo: temperatura elevata, sostanze chimiche, ambienti corrosivi, linee ad alta tensione, gas tossici o esplosivi, macchinari in movimento, bordi taglienti o presenza di materiali al di sopra dell'operatore che possono cadere e colpire quest'ultimo o il dispositivo. Contattare l'assistenza tecnica 3M per ulteriori chiarimenti.
- 2.4 PERICOLI DELLA LINEA VITA:** Assicurarsi che la linea vita non presenti nessuno pericolo, tra cui, ad esempio: aggrovigliamento con gli utenti, con altri lavoratori, macchinari in movimento, altri oggetti circostanti o impatto con oggetti soprastanti che potrebbero cadere sulla linea vita o sugli operatori.
- 2.5 BORDI TAGLIANTI:** Evitare di utilizzare questa attrezzatura in cui i componenti del sistema entrano in contatto con bordi taglienti e superfici abrasive o vi raschiano contro. Quando il contatto è inevitabile, tutti i bordi taglienti e le superfici abrasive devono essere coperti con materiale protettivo.

**1 Persona competente:** Qualcuno in grado di individuare i rischi presenti e prevedibili nell'ambiente circostante o condizioni di lavoro malsane, rischiose o pericolose per i dipendenti, e che sia autorizzato a prendere immediati provvedimenti per porvi rimedio.

**2 Persona qualificata:** Persona con una laurea, certificazione o ruolo professionale riconosciuti, oppure che, per vastità delle conoscenze, formazione ed esperienza ha dimostrato con successo la propria capacità di affrontare e risolvere i problemi relativi ai sistemi di protezione anticaduta e di salvataggio nella misura richiesta dalle normative nazionali, regionali e locali in vigore.

**3 Utente:** Persona che svolge le attività mentre è protetta da un sistema anticaduta.

**4 Persona autorizzata:** Persona incaricata dal datore di lavoro di svolgere mansioni in un luogo in cui la persona sarà esposta a pericolo di caduta.

**5 Soccorritore:** Persona che utilizza il sistema di salvataggio per eseguire un salvataggio assistito.

**2.6 COMPATIBILITÀ DEI COMPONENTI:** l'attrezzatura 3M è progettata solo per l'utilizzo con componenti e sottosistemi approvati da 3M. Eventuali sostituzioni con componenti o sottosistemi non approvati potrebbero compromettere la compatibilità dell'attrezzatura e la sicurezza, nonché l'affidabilità dell'intero sistema.

**2.7 COMPATIBILITÀ DEL CONNETTORE:** I connettori sono considerati compatibili con gli elementi di collegamento quando sono progettati per essere utilizzati insieme in modo tale che le rispettive dimensioni e forme non causino inavvertitamente l'apertura dei meccanismi di chiusura, indipendentemente dal come sono orientati. In caso di dubbi sulla compatibilità, contattare 3M.

I connettori (ganci a doppia leva e moschettoni) devono essere in grado di supportare almeno 22,2 kN (5.000 lbf). I connettori devono essere compatibili con l'ancoraggio o altri componenti del sistema. Non utilizzare attrezzature non compatibili. I connettori non compatibili potrebbero sganciarsi involontariamente (vedere Figura 5). I connettori devono essere compatibili per dimensioni, forma e resistenza. Se l'elemento di collegamento a cui è fissato un gancio a doppia leva o un moschettone è sottodimensionato o di forma irregolare, si potrebbe verificare una situazione in cui l'elemento di collegamento applica una forza al dispositivo di chiusura del gancio a doppia leva o del moschettone (A). Tale forza potrebbe provocare l'apertura del dispositivo di chiusura (B), facendo sì che il gancio a doppia leva o il moschettone si sganci dal punto di collegamento (C).

**2.8 REALIZZAZIONE DEI COLLEGAMENTI:** I ganci a doppia leva e i moschettoni utilizzati con questa attrezzatura devono disporre di un meccanismo autobloccante. Assicurarsi che tutti i connettori risultino compatibili per dimensioni, forma e resistenza. Non utilizzare attrezzature non compatibili. Assicurarsi che tutti i connettori siano completamente chiusi e bloccati.

I connettori 3M (ganci a doppia leva e moschettoni) sono progettati solo per l'utilizzo specificato nelle istruzioni per l'utente di ciascun prodotto. Vedere Figura 6 per esempi di collegamenti non appropriati. Non collegare ganci a doppia leva e moschettoni come descritto di seguito:

- A. A un anello a D a cui è collegato un altro elemento di collegamento.
- B. In modo tale da comportare un carico sul dispositivo di chiusura. Non collegare ganci a doppia leva con ampia distanza agli anelli a D di dimensioni standard o a oggetti simili che provocherebbe un carico sul dispositivo di chiusura in caso di torsione o rotazione del gancio o dell'anello a D, a meno che il gancio a doppia leva non sia dotato di dispositivo di chiusura da 16 kN (3.600 lbf). Controllare la marcatura riportata sul gancio a doppia leva per verificarne l'idoneità all'applicazione prevista.
- C. In un falso aggancio, dove le parti che sporgono dal gancio a doppia leva o dal moschettone si agganciano all'ancoraggio e senza conferma visiva che attestino il completo aggancio al punto di ancoraggio.
- D. L'uno all'altro.
- E. Direttamente alla cinghia, al cordino di tenuta o collegamento diretto (a meno che le istruzioni del produttore relative al cordino e al connettore non consentano specificatamente tale collegamento).
- F. A qualsiasi oggetto di forma o dimensione tale da impedire la chiusura e il blocco del gancio a doppia leva o del moschettone o da causare il verificarsi di fuoriuscite.
- G. In un modo che non consente al connettore di allinearsi correttamente quando è applicato un carico.

### 3.0 INSTALLAZIONE

**3.1 PIANIFICAZIONE:** Pianificare il proprio sistema di protezione anticaduta prima di installare il verricello digitale. Considerare tutti i fattori che possono influire sulla propria sicurezza prima, durante e dopo una caduta. Prendere in considerazione tutti i requisiti, le limitazioni e le specifiche definiti nella Sezione 2 e nella Tabella 1.

### 3.2 INSTALLAZIONE DEL VERRICELLO AL BRACCIO DELLA GRU O DEL TREPPIEDE:

**INSTALLAZIONE DEL VERRICELLO:** Vedere Figura 8.

Fase 1: Installare il verricello sulla struttura di supporto inserendo l'estremità scanalata della staffa di montaggio rapido sul perno fisso (A) sulla staffa di montaggio.

Fase 2: Ruotare il verricello verso l'alto per allineare i fori nelle staffe di montaggio.

Fase 3: Inserire il perno di bloccaggio (B) attraverso i fori che fissano il verricello alla struttura di supporto.

**Le pulegge direzionabili della fune metallica devono presentare un diametro minimo della filettatura di 6,4 cm (2,5 in).**

### 3.3 FUNZIONAMENTO DEL VERRICELLO:

**A. COLLEGARE LA LINEA DEL VERRICELLO A UN CARICO:** Vedere Figura 10. A: Linea del verricello, B: Cordino tipo Y, C: Linea vita secondaria, D: Anello a D per le spalle, E: Anello a D posteriore, F: Adattatore tie-off, G: Carico del materiale. Per le applicazioni che non richiedono un PFAS secondario, la linea del verricello deve essere collegata all'anello a D posteriore dell'imbracatura del lavoratore. Per le applicazioni che richiedono un PFAS secondario, la linea del verricello deve essere collegata a un cordino di tipo Y e questo cordino deve essere collegato agli anelli a D per la spalla dell'imbracatura del lavoratore. La linea vita secondaria deve essere collegata all'anello a D posteriore dell'imbracatura del lavoratore. Per le applicazioni di gestione dei materiali, collegare la linea del verricello al carico utilizzando un adattatore tie-off o un altro dispositivo di ancoraggio.

**B. FUNZIONAMENTO DEL VERRICELLO DIGITALE:** Attaccare il verricello alla struttura di supporto come descritto nella sezione 3.4. Installare la maniglia della manovella del verricello nel mozzo dell'unità 9:1 o 4:1 e spingere con decisione verso l'interno finché la linguetta caricata a molla sulla maniglia non scatta in posizione (l'impugnatura sulla maniglia deve essere rivolta verso l'esterno).

Per rimuovere la maniglia della manovella dal mozzo, spingere verso il basso la linguetta a molla ed estrarre la maniglia dal mozzo.

Alimentare la linea dal tamburo del verricello ruotando la maniglia della manovella nella direzione dell'abbassamento (in senso antiorario). Applicare circa 4,5 kg (10 lb) di tensione alla linea durante l'alimentazione dal tamburo. Far passare la linea sul sistema di pulegge della struttura di supporto. Fare riferimento alle istruzioni per l'utente per la struttura di supporto per quanto concerne l'instradamento dei cavi.

**PER SOLLEVARE UN CARICO:** Ruotare la maniglia della manovella del verricello nella direzione del sollevamento (in senso orario). Per mantenere o sospendere momentaneamente il carico, interrompere la rotazione della manovella. Il freno automatico sosterrà il carico se la maniglia è stata rilasciata. Non superare la capacità nominale di 204 kg (450 lb).

**PER ABBASSARE UN CARICO:** Ruotare la maniglia della manovella del verricello nella direzione dell'abbassamento (in senso antiorario). Quando la linea si abbassa senza un carico, mantenere circa 4,5 kg (10 lb) di tensione sulla linea per favorire lo srotolamento e prevenire l'aggrovigliamento.

**C. INDICATORE D'IMPATTO:** Vedere Figura 11. A: Gancio a doppia leva normale, B: Gancio a doppia leva interessato, C: Nastro rosso che indica il carico d'impatto. Il verricello digitale viene fornito con un attacco girevole di collegamento con un indicatore di caduta integrato. Questo indicatore funziona se il verricello ha un carico d'impatto eccessivo o se la capacità di sollevamento viene superata da una quantità prestabilita. Un attacco sottoposto a un carico d'impatto mostrerà un nastro rosso nell'area di rotazione.

**D. RIMOZIONE DEL VERRICELLO:** Scollegare la linea vita dall'imbracatura del lavoratore o dal carico del materiale. Mantenere un carico di almeno 4,5 kg (10 lb) sulla linea vita che avvolge la linea vita sul tamburo. Ritrarre la linea vita attraverso la struttura di supporto. Continuare ad avvolgere la linea vita sul tamburo fino a quando le boccole di rame e il ditale non toccano il tamburo. Disconnettere il verricello dalla struttura di supporto.

**E. MOZZO PER TRAPANO ELETTRICO (VEDERE FIGURA 9):** L'8512936 (A) opzionale può essere collegato per sollevare e abbassare l'operatore con un trapano elettrico (B) con una trasmissione da 12,7 mm (1/2 pollice) e un regime massimo di perforazione di 300 giri/min. Per ulteriori informazioni vedere le IFU 5903667.

**3.4 AGGANCIAMENTO DEL CARICO:** Tirare il gancio a doppia leva mentre si gira la maniglia in senso antiorario per estendere la linea vita fino a quando non vi è una linea sufficiente per agganciare comodamente il lavoratore o il carico. Effettuare l'aggancio lontano dall'ingresso, per evitare il pericolo di caduta del lavoratore o del carico. Utilizzare due mani quando si attacca la linea vita; una mano mantiene la tensione sulla linea vita, l'altra preme la serratura e apre il dispositivo di chiusura sul gancio a doppia leva. Inserire il gancio nell'anello a D dell'imbracatura. Rilasciare il dispositivo di chiusura e assicurarsi che il gancio a doppia leva sia bloccato saldamente sull'anello a D.

### 3.5 INTEGRITÀ DEL SISTEMA:

Verificare l'integrità del sistema di carico e di supporto come segue:

**A.** Avviare la maniglia del verricello nella direzione di sollevamento fino a quando la linea è tesa. Il lavoratore deve trasferire lentamente il proprio peso all'imbracatura e alla linea vita fino a quando non è in grado di sollevare entrambi i piedi da terra.

**B.** Assicurarsi che il verricello trattienga il lavoratore in una posizione fissa. Regolare anche l'adattamento dell'imbracatura in questo momento in modo che non schiacci, sfregi o si leghi.

**Non usare il verricello per sollevare o abbassare più di una persona. La capacità massima di sollevamento è di 2,0 kN (450 lbf).**

**3.6 PER ABBASSARE UN LAVORATORE:** L'addetto deve girare la manovella del verricello in senso antiorario per allentare la linea vita. L'addetto deve tenere una mano con guanto sulla linea vita mentre si allunga per mantenere su di essa una leggera lieve tensione.

Se la linea si tende troppo o si allentata durante l'uso, comunicare con il lavoratore sospeso per stabilire se c'è un problema. Correggere prima di procedere.

***Se la tensione della rotazione si allenta durante l'abbassamento, la persona o il materiale potrebbe aver raggiunto un livello di lavoro o l'ostruzione. Evitare di continuare a girare senza comunicare con la persona o senza verificare che il materiale sia abbassato. Mantenere sempre stabile la tensione del cavo. Un cavo allentato potrebbe causare una caduta libera.***

Mentre un lavoratore è sospeso, mantenere l'angolo della linea vita a un massimo di 5 gradi rispetto alla linea verticale. Il lavoratore può infortunarsi gravemente in una caduta con pendolo a più di 5 gradi. Se il lavoratore non è sospeso e non vi è alcuna possibilità di caduta, l'addetto può allentare una linea sufficiente [massimo 0,6 m (2 ft)] in modo da permettere al lavoratore di lavorare comodamente. L'addetto deve trattenerne la linea in modo che vi sia sempre una leggera tensione. Mantenere una comunicazione costante fra il lavoratore e l'addetto.

***Gli ultimi 3 m (10 ft) della linea vita hanno un segno rosso e non devono essere srotolati dal tamburo. Questa lunghezza fornisce l'avvolgimento richiesto sul tamburo in modo da ancorare correttamente la linea vita e assicura che la direzione di avvolgimento della linea vita sia corretta. Interrompere l'estensione della linea vita quando si vede l'indicatore rosso. La linea vita deve avvolgersi sul tamburo ruotando la maniglia della manovella solo nella direzione di "sollevamento" (in senso antiorario). Controllare periodicamente che la linea vita si avvolga uniformemente sul tamburo. Utilizzare i guanti quando si maneggia la linea vita.***

**3.7 RECUPERO DI UN LAVORATORE:** Comunicare con il lavoratore quando ci si prepara a recuperarlo e mantenere la comunicazione durante tutta la procedura. Posizionare la maniglia della manovella nel mozzo 4:1 o 9:1 in modo appropriato per mantenere la forza di rotazione all'interno di un intervallo confortevole. Ritrarre la linea vita e recuperare il lavoratore. Mantenere una velocità di recupero uniforme. Se il carico di rotazione della maniglia del verricello aumenta improvvisamente, fermarsi e indagare. Determinare la causa e correggere il problema prima di proseguire. Al momento del recupero, sostenere il carico o il lavoratore e scollegare la linea vita.

**3.8 FRENO INERZIALE:** Il verricello digitale è progettato con un freno costantemente agganciato che manterrà il carico sospeso ogni volta che la maniglia della manovella viene rilasciata. Il freno è composto da tre nottolini indipendenti. Il freno principale non funziona se tutti e tre i nottolini si guastano. Il verricello dispone di un freno inerziale secondario qualora dovesse guastarsi il freno primario. Se il freno principale si guasta, il verricello ruota liberamente finché il freno inerziale non si inserisce e arresta il cavo. Il freno inerziale si innesta a non più di 1 m (3 ft) di cavo.

**3.9 RECUPERO CON LA MANO SINISTRA:** Il verricello digitale può essere regolato per funzionare come recupero con la mano sinistra. Per effettuare questa regolazione, rimuovere la molla di bloccaggio del cavo e fissarla al foro sull'altra estremità della piastra di montaggio utilizzando gli stessi fissaggi. Rimuovere la maniglia di trasporto rimuovendo le due viti che la collegano al verricello e ricollocarla sull'altra estremità del verricello. Utilizzare un frenafletti rimovibile come Loctite 242 per fissare tutti i dispositivi di fissaggio. Il verricello ora monterà su staffe di montaggio con la maniglia sul lato sinistro del verricello.

***Nella configurazione con maniglia a sinistra il cavo si alimenterà dalla parte superiore del tamburo, modificando i requisiti di carico momentaneo. Vedere Tabella 1.***

**3.10 INSTALLAZIONE DELLA FUNE:** Il verricello ad alimentazione continua può accogliere una fune in kernmantle, di varie lunghezze e diametro pari a 12 mm (1/2 in). Le procedure di installazione variano in base al fatto che la fune sia dotata di un gancio a doppia leva applicato a una delle estremità.

***Dopo aver inserito la fune nel verricello ad alimentazione continua, potrebbe essere necessario applicare una tensione all'estremità libera della fune mentre si solleva un carico per inserire completamente la fune nel tamburo.***

***Accertarsi sempre che la fune abbia una lunghezza sufficiente da permettere il funzionamento sicuro del verricello senza esaurire la lunghezza della fune.***

**SENZA GANCIO A DOPPIA LEVA:** La fune senza gancio a doppia leva può essere inserita nel verricello ad alimentazione continua da entrambe le estremità a seconda della quantità di fune utilizzata:

**INSTALLAZIONE DALL'INIZIO DELLA FUNE:** Vedere Figura 13.

Fase 1: Assicurare il verricello ad alimentazione continua a un corretto ancoraggio (gamba del treppiede, braccio della gru, ecc.).

Fase 2: Inserire l'inizio della fune sotto il distanziatore (13.1A) e fra il tamburo e il rullo superiore (13.1B).

Fase 3: Guidare delicatamente la fune nel verricello mentre si gira la maniglia della manovella in senso antiorario. Mentre la fune passa attraverso il verricello (Figura 13.2), assicurarsi che esca dal verricello sopra il distanziatore (13.2A) e sotto la grande puleggia superiore (13.2B). Può essere necessario instradare la fune davanti alla puleggia superiore.

Fase 4: Continuare a ruotare la maniglia e far scorrere l'estremità della fune sopra la puleggia del sistema della gru o la guida del cavo.

## INSTALLAZIONE DALL'ESTREMITÀ DELLA FUNE: Vedere Figura 14.

Fase 1: Fissare il verricello ad alimentazione continua a un adeguato ancoraggio (gamba del treppiede, braccio della gru, ecc.).

Fase 2: Inserire l'estremità della fune sopra il distanziatore (14.1A) e fra il tamburo e la grande puleggia superiore (14.1B).

Fase 3: Guidare delicatamente la fune nel verricello mentre si gira la maniglia della manovella in senso orario. Mentre la fune passa attraverso il verricello (Figura 14.2), assicurarsi che l'estremità della fune esca dal verricello sotto il distanziatore (14.2A) e sopra il rullo superiore (14.2B). Può essere necessario instradare la fune davanti al distanziatore (14.1A).

Fase 4: Continuare a ruotare la maniglia della manovella finché la fune non si tende sopra il rullo superiore e penzola dal verricello.

**3.12 INSTALLARE LA FUNE CON UN GANCIO A DOPPIA LEVA:** Quando si installa la fune con un gancio a doppia leva su un'estremità, la fune deve essere posizionata correttamente su qualsiasi struttura di ancoraggio (es. puleggia, rullo) e l'estremità senza gancio inserita attraverso il verricello ad alimentazione continua allo stesso modo di "Installazione dall'estremità della fune".

**3.13 ESTREMITÀ DELLA FUNE:** L'estremità libera della fune deve essere fissata o legata con un nodo per garantire che non passi attraverso il verricello durante il funzionamento.

## 4.0 USO

**4.1 PRIMA DI CIASCUN UTILIZZO:** Verificare che l'area di lavoro e il sistema di protezione anticaduta soddisfino tutti i criteri definiti in queste istruzioni. E che sia messo in atto un piano formale di salvataggio. Ispezionare il prodotto in base ai punti di ispezione "Operatore" indicati nel "Registro di ispezione e manutenzione". Se l'ispezione rivela una condizione poco sicura o difettosa, o in caso di dubbi sulle sue condizioni d'uso in sicurezza, rimuovere immediatamente il prodotto dal servizio. Apporre un'etichetta che indichi in modo chiaro "NON USARE". Per ulteriori informazioni, consultare la Sezione 5.

## 5.0 ISPEZIONE

**5.1 FREQUENZA DELLE ISPEZIONI:** Il prodotto deve essere ispezionato dall'utente prima di ciascun utilizzo e anche da un'altra persona competente, a intervalli non superiori a un anno. Una frequenza più elevata di utilizzo dell'attrezzatura e condizioni più gravose possono richiedere un aumento della frequenza delle ispezioni da parte della persona competente. La frequenza delle ispezioni deve essere determinata dalla persona competente in base alle condizioni specifiche del luogo di lavoro.

**5.2 PROCEDURE DI ISPEZIONE:** Ispezionare il prodotto secondo le procedure elencate nel "Registro di ispezione e manutenzione". La documentazione relativa a ciascuna ispezione deve essere conservata dal proprietario dell'apparecchiatura. Un registro di ispezione e manutenzione deve essere posizionato vicino al prodotto o essere comunque facilmente accessibile agli utenti. Si raccomanda di contrassegnare il prodotto con la data della prossima o dell'ultima ispezione effettuata.

**Ogni 10.000 cicli o 5 anni:** Si raccomanda di far riparare il verricello da un centro di assistenza autorizzato dalla fabbrica o dal produttore. Condizioni di lavoro estreme possono richiedere una maggiore frequenza delle ispezioni. L'assistenza deve comprendere, a titolo indicativo, un'ispezione e una pulitura approfondite di tutti i componenti interni ed esterni. La mancanza di una corretta manutenzione può ridurre la durata della vita del prodotto e comprometterne le prestazioni.

**5.3 DIFETTI:** Qualora l'ispezione riveli una condizione poco sicura o difettosa, rimuovere immediatamente il verricello dal servizio e contattare 3M per una sostituzione o riparazione. Non cercare di riparare il sistema di arresto caduta.

**Solo riparazioni autorizzate:** Solo 3M o centri provvisti di autorizzazione scritta possono procedere alla riparazione di questa attrezzatura.

**5.4 DURATA DEL PRODOTTO:** La durata operativa del sistema di arresto caduta dipende dalle condizioni di lavoro e dalla manutenzione. Il prodotto può rimanere in servizio finché è in grado di soddisfare i criteri di ispezione.

## 6.0 MANUTENZIONE, ASSISTENZA e STOCCAGGIO


**6.1 PULIZIA:** Pulire regolarmente i componenti metallici del verricello digitale con una spazzola morbida, acqua calda e un detergente neutro. Accertarsi che le parti siano completamente risciacquate con acqua pulita.

**6.2 MANUTENZIONE:** Solo 3M o i centri provvisti di autorizzazione scritta da parte di 3M possono effettuare riparazioni di questa attrezzatura. Se il verricello digitale è stato sottoposto a forza di caduta o se un'ispezione rivela una condizione poco sicura o difettosa, rimuovere immediatamente il sistema dal servizio e contattare 3M per procedere alla sostituzione o riparazione.

**6.3 STOCCAGGIO E TRASPORTO:** Quando non viene utilizzato, stoccare e trasportare il verricello e la relativa attrezzatura di protezione anticaduta in un ambiente fresco, asciutto e pulito, lontano da luce solare diretta. Evitare zone in cui sono presenti vapori chimici. Dopo un lungo periodo di inutilizzo, ispezionare attentamente i componenti.

## 7.0 ETICHETTE E MARCATURE

La Figura 16 illustra le etichette sul verricello digitale. Sostituire le etichette se non sono completamente leggibili. Su ogni etichetta sono presenti le seguenti informazioni:

(A)	 Leggere tutte le istruzioni. 1) Anno e mese di produzione 2) Numero di lotto 3) Numero di modello 4) Lunghezza
(B)	10.000 cicli
(C)	Etichetta di istruzioni per il verricello digitale

**Tabella 2 – Registro di ispezione e manutenzione**

<b>Data di ispezione:</b>		<b>Ispezionato da:</b>	
<b>Componenti:</b>	<b>Ispezione:</b> (Vedere Sezione 5 per la <i>Frequenza delle ispezioni</i> )	<b>Operatore</b>	<b>Persona competente<sup>1</sup></b>
Verricello digitale (Figura 2)	Controllare ogni vite, bullone e dado. Assicurarsi che siano fissati saldamente e ben serrati. Controllare se mancano bulloni, dadi o altre parti o se sono stati sostituiti o modificati in qualche modo. Ispezionare coperchi e alloggiamenti. Assicurarsi che non presentino crepe, ammaccature, corrosione o danni di altro tipo.	<input type="checkbox"/>	<input type="checkbox"/>
Etichette (Figura 15)	Verificare che tutte le etichette siano fissate saldamente e che risultino leggibili.	<input type="checkbox"/>	<input type="checkbox"/>
Attrezzatura di protezione anticaduta	Dispositivi supplementari di protezione anticaduta utilizzati insieme al prodotto devono essere installati e ispezionati secondo le istruzioni del produttore.	<input type="checkbox"/>	<input type="checkbox"/>
Viti della maniglia della manovella	Il braccio rimovibile della manovella deve essere completamente bloccato in ciascuno dei mozzi di azionamento e non presentare crepe, curvature né danni di altro tipo. Controllare che ciascuna maniglia sul braccio della manovella sia ben serrata. Applicare Loctite262 o un frenafletti equivalente alle viti di ancoraggio se è necessario mantenerle ben serrate. Non utilizzare a meno che il braccio della manovella non sia perfettamente funzionale.	<input type="checkbox"/>	<input type="checkbox"/>
Gancio di collegamento	Il gancio di collegamento non deve essere danneggiato, rotto, deformato, né presentare bordi taglienti, sbavature, crepe, parti usurate o segni di corrosione. Assicurarsi che il gancio di collegamento funzioni correttamente. Il dispositivo di chiusura del gancio deve muoversi liberamente e bloccarsi al momento della chiusura. Il gancio deve ruotare liberamente.	<input type="checkbox"/>	<input type="checkbox"/>
Indicazione di usura del freno (Figura 11A)	Ispezionare l'indicatore di usura del freno situato al centro del mozzo 4:1. Se l'indicatore è nella sezione rossa, togliere il verricello dal servizio e rispedirlo a 3M o a un centro di assistenza autorizzato per la riparazione.	<input type="checkbox"/>	<input type="checkbox"/>
Contatore digitale (Figura 11B)	Se il contatore digitale supera 10.000 cicli dall'ultimo intervento in fabbrica registrato nel registro di ispezione, rispedire il verricello a 3M o ad un centro di assistenza autorizzato per la riparazione.	<input type="checkbox"/>	<input type="checkbox"/>
Imperfezioni della fune metallica	Ispezionare il gruppo di fune metallica per tutta la lunghezza, iniziando dal gancio. Manipolando la fune metallica, indossare sempre dei guanti di protezione. Passando la fune metallica tra le mani protette dai guanti, controllare che non vi siano fili metallici rotti, flettendone ogni centimetro per esporre eventuali rotture. Verificare che non ci siano attorcigliamenti, tagli, aree bruciate, corrosione o danni di altro tipo. Una fune metallica che presenti danni seri deve essere tolta dal servizio.	<input type="checkbox"/>	<input type="checkbox"/>
Fune sintetica	Ispezionare per individuare concentrazioni di usura, trefoli sfilacciati, fili rotti, tagli e abrasioni. In tutta la sua lunghezza, la linea non deve presentare nodi, sporco eccessivo, sovrapposizioni di mani di vernice e macchie di ruggine. La linea non deve presentare danni da raggi ultravioletti, indicati da scoloritura e dalla presenza di schegge e sovrapposizioni sulla superficie della fune. Tutti i fattori summenzionati sono noti per ridurre la resistenza della fune. Una fune danneggiata o in condizioni discutibili deve essere sostituita da un centro di assistenza autorizzato.	<input type="checkbox"/>	<input type="checkbox"/>
Fune	Verificare che la fune sia completamente in posizione sul tamburo sollevando e abbassando un carico di almeno 35 kg (100 lb). Se la fune scivola durante questa operazione, applicare una tensione all'estremità libera della fune mentre si solleva il carico fino a eliminare lo slittamento.	<input type="checkbox"/>	<input type="checkbox"/>

**1 Persona competente:** Qualcuno in grado di individuare i rischi presenti e prevedibili nell'ambiente circostante o condizioni di lavoro malsane, rischiose o pericolose per i dipendenti, e che sia autorizzato a prendere immediati provvedimenti per porvi rimedio.





Lees alle veiligheidsinformatie in deze instructies voordat u dit systeem voor het betreden van/reddingswerk in besloten ruimten gebruikt en vergewis u ervan dat u alle informatie begrepen hebt en volgt. **NALATIGHEID KAN ERNSTIG LETSEL OF DE DOOD TOT GEVOLG HEBBEN.**

Deze instructies dienen aan de gebruiker van deze apparatuur verstrekt te worden. Bewaar deze instructies zodat u ze later kunt raadplegen.

## Beoogd gebruik:

Dit systeem voor het betreden van/reddingswerk in besloten ruimten is bedoeld voor gebruik als onderdeel van een volledig persoonlijk valbeveiligingssysteem of reddingssysteem.

Gebruik in andere toepassingen, inclusief (maar niet beperkt tot) niet goedgekeurde toepassingen in materiaalbehandeling, vrijetijdsactiviteiten, sporten of andere activiteiten die niet in de gebruiks- of installatie instructies omschreven staan, wordt niet goedgekeurd door 3M en kan leiden tot een ongeval met ernstig letsel of de dood tot gevolg.

Dit apparaat mag uitsluitend worden gebruikt door opgeleide gebruikers voor toepassing op de werkplaats.



## WAARSCHUWING

Dit systeem voor het betreden van/reddingswerk in besloten ruimten is onderdeel van een persoonlijk valbeveiligingssysteem of reddingssysteem. Er wordt verwacht dat alle gebruikers volledig zijn opgeleid voor een veilige installatie en veilig gebruik van het complete systeem. **Misbruik van dit apparaat kan leiden tot ernstig letsel of een dodelijk ongeval.** Raadpleeg voor het correct selecteren, installeren, bedienen, onderhouden en verzorgen alle productinstructies, inclusief alle aanbevelingen van de fabrikant, of raadpleeg uw leidinggevende of neem contact op met 3M Technical Services.

- **Doe het volgende om de risico's te beperken die gepaard gaan met het werken met een systeem voor het betreden van/reddingswerk in besloten ruimten, waarbij nalatigheid kan leiden tot ernstig letsel of een dodelijk ongeval:**
  - Inspecteer voorafgaand aan elk gebruik alle onderdelen van het systeem, minstens één keer per jaar en na elke valgebeurtenis. Voer de inspectie uit aan de hand van de gebruiksaanwijzing.
  - Als uit inspectie een defect of onveilige werking blijkt, stelt u het apparaat onmiddellijk buiten gebruik en zorgt u voor reparatie of vervanging volgens de gebruiksinstructies.
  - Systemen die onderworpen zijn aan valstop- of botskrachten, moeten onmiddellijk buiten gebruik worden gesteld. Raadpleeg de gebruikersinstructies of neem contact op met 3M Valbescherming.
  - Het apparaat mag alleen worden geïnstalleerd op de wijze die is beschreven in de installatie-instructies of gebruikersinstructies. Installaties en gebruik dat buiten het bereik van de instructie valt moet schriftelijk door 3M Fall Protection zijn goedgekeurd.
  - Het substraat of de structuur waarop het apparaat is bevestigd/gepositioneerd, moet de statische belastingen die zijn opgegeven voor het apparaat, kunnen ondersteunen in de oriëntaties die in de gebruiksaanwijzing of installatie-instructies zijn toegestaan.
  - Het aantal geoorloofde gebruikers niet overschrijden.
  - Werk nooit onder een hangende lading of werknemer.
  - Wees voorzichtig bij het installeren, gebruiken en verplaatsen van het apparaat aangezien bewegende delen potentiële afknelpunten kunnen creëren. Raadpleeg de gebruikersinstructies.
  - Zorg ervoor dat er correcte uitschakelprocedures, zoals van toepassing, zijn gevolgd.
  - Verbind u nooit aan een systeem voordat het volledig is gemonteerd, geplaatst, aangepast en geïnstalleerd. Stel het systeem niet bij wanneer een gebruiker is aangesloten.
  - Sluit beveiligingssubsystemen uitsluitend aan op het aangewezen verbindingspunt van het apparaat.
  - Zorg er bij het boren van gaten voor montage of installatie van het systeem voor dat er geen elektrische kabels, gasleidingen of andere kritische materialen of apparatuur door de boor kunnen worden geraakt.
  - Zorg ervoor dat valbeveiligingssystemen/-subsystemen samengesteld uit onderdelen van verschillende fabrikanten compatibel zijn en aan de geldende normen voldoen, waaronder ANSI Z359 of andere geldende voorschriften, normen of vereisten op het gebied van valbescherming. Raadpleeg altijd een deskundige en/of een gekwalificeerd persoon voordat u deze systemen gebruikt.
- **Doe het volgende om de risico's te beperken die gepaard gaan met het werken op hoogte, waarbij nalatigheid kan leiden tot een ongeval met ernstig letsel of de dood tot gevolg:**
  - Vergewist u zich ervan dat u met uw gezondheid en lichamelijke conditie veilig bestand bent tegen alle krachten die kunnen optreden bij het werken op hoogte. Raadpleeg uw arts als u vragen heeft over of u in staat bent om deze uitrusting te gebruiken.
  - Overschrijd nooit de toelaatbare capaciteit van uw valbeveiligingsuitrusting.
  - Overschrijd nooit de maximale vrijevalafstand van uw valbeveiligingsuitrusting.
  - Gebruik nooit valbeveiligingsuitrusting die een gebrek vertoont bij de inspectie vóór het gebruik of andere periodieke inspecties, of als u onzeker bent over het gebruik of de geschiktheid van de uitrusting voor uw toepassing. Neem voor al uw vragen contact op met 3M Technical Services.
  - Sommige combinaties van subsystemen en componenten kunnen de werking van deze uitrusting verstoren. Gebruik uitsluitend koppelingen die onderling geschikt zijn. Raadpleeg 3M voordat u deze apparatuur gebruikt in combinatie met andere componenten of subsystemen dan in de gebruikersinstructies beschreven staan.
  - Wees extra voorzichtig bij het werken in de buurt van bewegende machines (bijv. de bovenaandrijving van een boorplatform), op plaatsen met elektrische gevaren, extreme temperaturen, gevaar van chemische middelen, explosieve of giftige gassen, scherpe randen of onder voorwerpen boven het hoofd die op u of uw valbeveiligingsuitrusting kunnen vallen.
  - Gebruik bij werken in een hete omgeving of met hitteapparatuur beschermingsmiddelen tegen risico's op een vlamboog en brandgevaar.
  - Vermijd oppervlakken en voorwerpen die de gebruiker of de uitrusting kunnen beschadigen.
  - Vergewist u zich ervan dat er voldoende vrije val is bij werken op hoogte.
  - Wijzig of verander uw valbeveiligingsuitrusting nooit. Alleen 3M, of partijen die door 3M schriftelijk zijn geautoriseerd, mogen de uitrusting repareren.
  - Zorg voordat de valbeveiligingsuitrusting in gebruik wordt genomen dat er een reddingsplan aanwezig is waarmee in geval van een ongeval snel hulp kan worden geboden.
  - Laat na een val de betreffende persoon onmiddellijk door een arts onderzoeken.
  - Gebruik geen lichaamsgordel voor valstop-toepassingen. Gebruik uitsluitend een volledig lichaamsharnas.
  - Minimaliseer zwenkvallen door zo recht mogelijk onder het ankerpunt te werken.
  - Bij training met dit apparaat moet een tweede valbeveiligingssysteem worden gebruikt om elk risico te vermijden dat de gebruiker-in-training per ongeluk aan valgevaar wordt blootgesteld.
  - Draag altijd geschikte persoonlijke beschermingsmiddelen bij het installeren, gebruiken of inspecteren van het apparaat/systeem.

Noteer vóórdat u deze apparatuur gebruikt de productidentificatiegegevens van het ID-label in het inspectie- en onderhoudslogboek achter in deze handleiding.

Zorg er altijd voor dat u de nieuwste versie van uw 3M-handleiding gebruikt. Ga naar de 3M-website of neem contact op met 3M Technical Services voor bijgewerkte handleidingen.

## PRODUCTBESCHRIJVING:

In afbeelding 1 wordt de digitale lier van de 3M™ DBI-SALA™-serie weergegeven. De serie digitale lieren wordt gebruikt voor de werkpositionering, het personeeltransport, de materiaalhantering en de klimbeveiliging of voor de redding en evacuatie. Deze liermodellen moeten worden gebruikt met een 3M-valbeveiligingsstatief, een davitarm of een andere steunstructuur en kunnen worden gebruikt in situaties waarin personeel of materialen moeten worden gehesen of neergelaten tot 290 ft (88 m). Afbeelding 2 toont de onderdelen van de digitale lier en de lier met doorlopende toevoer.

**A. Werkpositionering:** Toepassingen zijn onder meer het hijsen van een werknemer in een werkstoel of harnas. Een reserve valstopsysteem moet worden bevestigd aan de gehesen werknemer.

**B. Personeeltransport:** Op het werkniveau wordt de werknemer niet langer ondersteund door de lier. Een reserve valstopsysteem moet aan de werknemer worden bevestigd tijdens het transport met de lier.

**C. Redding en evacuatie:** Wordt gebruikt om een in gevaar zijnde of gewonde werknemer of reddingspersoneel te hijsen of neer te laten. Toepassingen zijn onder meer toegangsverschaffing tot besloten ruimten met en zonder werkvergunning. Gebruik in reddings- of evacuatiesituaties een reserve valstopsysteem.

**D. Klimbescherming:** Wordt gebruikt om een werknemer te beschermen die een vaste ladder of vergelijkbare structuur beklimt of afdaald. Het gebruik van de lier moet worden beperkt tot constructies waar andere middelen voor klimbeveiliging, zoals permanent geïnstalleerde ladderbeveiligingsystemen of persoonlijke valstopsystemen, niet haalbaar zijn. Voor deze toepassing moet aan de volgende voorwaarden zijn voldaan:

- De ladder of de treden zijn in goede staat en zorgen voor een rechte, continue klim.
- De werknemer die de ladder beklimt, draagt een harnas voor het hele lichaam en de lierlijn is verbonden met de dorsale (rug) D-ring van het harnas.
- De lierbestuurder is getraind en bekwaam in de bediening van de lier.
- Er mag geen slappe lijn ontstaan wanneer de werknemer de ladder op of af gaat.
- Er moeten energieabsorberende vanglijnen worden bevestigd tussen de dorsale D-ring van het harnas en de lierlijn.

**Tabel 1 – Specificaties**

Systeemspecificaties:	
<b>Capaciteit</b>	De maximaal toegestane werkbelasting voor dit product is één persoon met een gecombineerd maximumgewicht (inclusief gereedschap, kleding en uitrusting) van 450 lb. (204 kg).
<b>Materiaal behuizing</b>	Gegoten aluminium met afwerking van poedercoating
<b>Materiaal reddingslijn</b>	3/16 inch (5 mm) roestvrij staal 1/4 inch (6 mm) roestvrij staal 3/16 inch (5 mm) gegalvaniseerd staal 1/4 inch (6 mm) Technora-kabel 1/2 inch (12 mm) kernmantelkabel
<b>Montagevereisten (zie afbeelding 7)</b>	Rechtshandige configuratie (A): Kabelinvoer vanaf de onderzijde met een 775 ft-lb. (1.051 N*m) momentbelasting en 3.100 lb*f (14 kN) in de trekrichting.  Linkshandige configuratie (B): Kabelinvoer vanaf de bovenzijde met een 2.356 ft-lb. (3.194 N*m) momentbelasting en 3.100 lb*f (14 kN) in de trekrichting.
Digitale lier	
Referentie in afbeelding 2	Onderdeel
(A)	Lier
(B)	Primaire aandrijfnaaf. Reductieverhouding 4:1
(C)	Secundaire aandrijfnaaf. Reductieverhouding 9:1
(D)	Veer kabelhouder
(E)	Draaggreep
(F)	Handmatige aandrijfnaven
(G)	Uitneembare tornarm
(H)	Universele montageplaat

**Tabel 1 – Specificaties**

Lier met doorlopende invoer:	
Referentie in afbeelding 2	Onderdeel
(J)	Afneembare tornhendel
(K)	Bovenste katrol
(L)	Afstandshouder
(M)	Bovenste roller

**Afmetingen (zie afbeelding 15)**

**A:** 100-serie lier, lier met doorlopende toevoer (8514602)

**B:** 200-serie lier

**C:** 300-serie lier

Serie	Model	Lengten reddingslijnen	Kabeltype	Gewicht
<b>A</b>	8518567	60 ft. (18 m)	Gegalvaniseerd staal	30,5 lb. (13,8 kg)
	8518565	60 ft. (18 m)	Roestvrij staal	30,5 lb. (13,8 kg)
	8518571	60 ft. (18 m)	Technora touw	27 lb. (12,2 kg)
	8518560	60 ft. (18 m)	Gegalvaniseerd staal	30,5 lb. (13,8 kg)
	8518558	60 ft. (18 m)	Roestvrij staal	30,5 lb. (13,8 kg)
	8518564	60 ft. (18 m)	Technora touw	27 lb. (12,2 kg)
	8518568	90 ft. (27 m)	Gegalvaniseerd staal	32,5 lb. (14,7 kg)
	8518566	90 ft. (27 m)	Roestvrij staal	32,5 lb. (14,7 kg)
	8518561	90 ft. (27 m)	Gegalvaniseerd staal	32,5 lb. (14,7 kg)
	8518559	90 ft. (27 m)	Roestvrij staal	32,5 lb. (14,7 kg)
<b>B</b>	8518588	140 ft. (42 m)	Gegalvaniseerd staal	40 lb. (18,4 kg)
	8518586	140 ft. (42 m)	Roestvrij staal	40 lb. (18,4 kg)
	8518581	140 ft. (42 m)	Gegalvaniseerd staal	40 lb. (18,4 kg)
	8518579	140 ft. (42 m)	Roestvrij staal	40 lb. (18,4 kg)
	8518589	190 ft. (58 m)	Gegalvaniseerd staal	43 lb. (19,4 kg)
	8518587	190 ft. (58 m)	Roestvrij staal	43 lb. (19,4 kg)
	8518582	190 ft. (58 m)	Gegalvaniseerd staal	43 lb. (19,4 kg)
	8518580	190 ft. (58 m)	Roestvrij staal	43 lb. (19,4 kg)
<b>C</b>	8518610	240 ft. (73 m)	Gegalvaniseerd staal	50 lb. (22,6 kg)
	8518608	240 ft. (73 m)	Roestvrij staal	50 lb. (22,6 kg)
	8518603	240 ft. (73 m)	Gegalvaniseerd staal	50 lb. (22,6 kg)
	8518601	240 ft. (73 m)	Roestvrij staal	50 lb. (22,6 kg)
	8518611	290 ft. (88 m)	Gegalvaniseerd staal	53,5 lb. (19,5 kg)
	8518609	290 ft. (88 m)	Roestvrij staal	53,5 lb. (19,5 kg)
	8518604	290 ft. (88 m)	Gegalvaniseerd staal	53,5 lb. (19,5 kg)
	8518602	290 ft. (88 m)	Roestvrij staal	53,5 lb. (19,5 kg)
<b>Lier met doorlopende invoer</b>	8514602	-----	1/2 inch (12 mm) kernmantelkabel	32,2 lb. (14,6 kg)

**1 Capaciteit:** 310 lb. (140 kg) is de capaciteitsreeks zoals vereist door ANSI. Dit product is getest voor een maximale capaciteit van 450 lb. (204 kg) per OSHA.

**2 Gekwalificeerd persoon:** Een persoon met een erkende graad of een professioneel certificaat en uitgebreide ervaring op het gebied van valbeveiliging. Deze persoon moet in staat zijn tot het ontwerpen, analyseren, evalueren en specificeren van producten op het gebied van valbeveiliging.

## 1.0 TOEPASSING VAN HET PRODUCT

**1.1 DOEL:** 3M-lieren worden vastgemaakt aan 3M-valstopsystemen en maken het mogelijk deze systemen voor andere toepassingen te gebruiken. 3M-lieren zijn ontworpen voor gebruik als onderdeel van een werkpositionerings- of reddingssysteem. Afbeelding 1 toont de liermodellen die in deze instructies worden behandeld. Afhankelijk van het liermodel kunnen systeemtoepassingen ook materiaalhantering, personeeltransport en klimmen omvatten. Raadpleeg tabel 1 voor meer informatie over systeemtoepassingen.

*Gebruik 3M-lieren nooit als primaire valstopapparatuur in een valstopsysteem.*

- 1.2 NORMEN:** Uw product voldoet aan de nationale of regionale normen die staan vermeld op de omslag van deze instructies. Als dit product wordt doorverkocht buiten het oorspronkelijke land van bestemming, moeten deze instructies door de doorverkoper worden meegeleverd in de taal van het land waarin het product gaat worden gebruikt.
- 1.3 TOEZICHT:** Het gebruik van deze apparatuur moet plaatsvinden onder toezicht van een deskundige persoon<sup>1</sup>. Installatie van deze apparatuur dient plaats te vinden onder toezicht van een gekwalificeerde persoon<sup>2</sup>.
- 1.4 TRAINING:** Deze apparatuur moet geïnstalleerd en gebruikt worden door personen die getraind zijn in de juiste toepassing ervan. Deze instructies moeten worden gebruikt als onderdeel van een trainingsprogramma voor medewerkers zoals dat vereist wordt door nationale, regionale of lokale normen. Het is de verantwoordelijkheid van de gebruikers en installateurs van deze apparatuur om zich ervan te verzekeren dat ze deze instructies kennen, getraind zijn in het juiste gebruik en de verzorging van de apparatuur, en dat ze zich bewust zijn van de gebruikskennmerken, toepassingsbeperkingen en de gevolgen van enig onjuist gebruik van deze apparatuur.
- 1.5 REDDINGSPLAN:** Wanneer deze apparatuur en verbindende subsystemen worden gebruikt, dient de werkgever te beschikken over een gedocumenteerd reddingsplan. Ook moet hij de middelen hebben om het reddingsplan te implementeren en te communiceren naar gebruikers<sup>3</sup>, geautoriseerde personen<sup>4</sup>, en redders<sup>5</sup>. Het wordt aanbevolen dat een getraind reddingsteam ter plekke aanwezig is. Teamleden moeten de apparatuur en technieken krijgen om een succesvolle reddingsactie te verrichten. Er moet op periodieke basis training gegeven worden om ervoor te zorgen dat de kennis van de redders actueel blijft. Redders moeten deze instructies ontvangen. Tijdens het reddingsproces moet er te allen tijde visueel contact of een andere manier van communicatie zijn met het slachtoffer.
- 1.6 VALSPELING:** Bij het bepalen van de noodzakelijke vrije val voor een valstopsysteem, moet rekening worden gehouden met elk onderdeel van het valstopsysteem. Er moet voldoende valspeeling zijn om een val op te vangen voordat een gebruiker in aanraking komt met de grond of een obstakel. Voor meer informatie over het berekenen van de valspeeling, raadpleegt u de instructies van de fabrikant die bij uw aansluitende subsysteem zijn geleverd.
- 1.7 ZWENKVALLLEN:** Zwenkvallen ontstaan wanneer het verankeringspunt niet recht boven het punt ligt waar een val optreedt (zie afbeelding 4). De kracht waarmee tegen een voorwerp wordt gestoten bij een zwenkval, kan ernstig letsel of de dood veroorzaken. Vermijd zwenkvallen als er letsel kan ontstaan. Minimaliseer zwenkvallen door zo recht mogelijk onder het ankerpunt te werken. De vereiste valspeeling van de gebruiker neemt toe naarmate de werkstraal (W) van de gebruiker toeneemt, aangezien de totale valafstand groter zal zijn dan wanneer de gebruiker direct onder het verankeringspunt zou zijn gevallen.
- 1.8 NA EEN VAL:** Als de apparatuur is blootgesteld aan een valstop of aan slagkracht, moet u het onmiddellijk buiten gebruik stellen. Markeer de apparatuur duidelijk met 'NIET GEBRUIKEN'. Zie paragraaf 5 voor meer informatie.

## 2.0 SYSTEEMEISEN

- 2.1 VERANKERING:** Verankeringsvereisten variëren afhankelijk van de toepassing van de valbeveiliging. De montageconstructie waarop de apparatuur wordt gemonteerd, moet voldoen aan de verankeringspecificaties zoals omschreven in tabel 1.
- 2.2 CAPACITEIT:** De gebruikerscapaciteit van een compleet valstopsysteem wordt beperkt door de component met de laagste nominale maximale capaciteit. Als uw aansluitende subsysteem bijvoorbeeld een capaciteit heeft die kleiner is dan uw harnas, moet u voldoen aan de capaciteitsvereisten van uw aansluitende subsysteem. Raadpleeg de instructies van de fabrikant voor elk onderdeel van uw systeem voor capaciteitsvereisten.
- 2.3 GEVAREN VOOR HET MILIEU:** Gebruik van deze apparatuur in gebieden met gevaren voor het milieu kan aanvullende voorzorgsmaatregelen vereisen, om de mogelijkheid van letsel voor de gebruiker of beschadiging aan de apparatuur te voorkomen. Gevaren kunnen de volgende omvatten, maar zijn niet beperkt tot: extreme hitte, bijtende chemicaliën, corrosieve omgevingen, hoogspanningsleidingen, explosieve of giftige gassen, bewegende machines, scherpe randen en bovenhoofdse materialen die kunnen vallen en de gebruiker of apparatuur kunnen raken. Neem contact op met de technische dienstverlening van 3M voor meer informatie.

**1 Deskundig persoon:** Een persoon die in staat is om bestaande en voorspelbare gevaren in de werkomgeving of -omstandigheden te identificeren die onhygiënisch, gevaarlijk of riskant zijn voor werknemers, en die bevoegd is om direct corrigerende acties te ondernemen om gevaren te elimineren.

**2 Gekwalificeerd persoon:** Iemand met een erkend diploma, certificaat of professionele reputatie, of die door uitgebreide kennis, training en ervaring met succes zijn/haar vermogen heeft aangetoond om problemen met valbeveiligings- en reddingssystemen op te lossen in de mate vereist door OSHA of andere geldende nationale, regionale en lokale voorschriften.

**3 Gebruiker:** Een persoon die activiteiten uitvoert terwijl hij wordt beschermd door een valbeveiligingssysteem.

**4 Geautoriseerd persoon:** Een persoon die door de werkgever aangewezen is om werk uit te voeren op een locatie waar de persoon blootgesteld wordt aan een valgevaar.

**5 Redder:** Iemand die het reddingssysteem gebruikt om een reddingsactie uit te voeren.

- 2.4 GEVAREN VOOR DE REDDINGSLIJN:** Zorg ervoor dat de reddingslijn vrij blijft van alle gevaren, inclusief, maar niet beperkt tot: verstrengeling met gebruikers, andere werknemers, bewegende machines, andere objecten in de omgeving of stoten door objecten boven het hoofd die op de reddingslijn of gebruikers kunnen vallen.
- 2.5 SCHERPE RANDEN:** Vermijd het gebruik van deze apparatuur op plaatsen waar systeemcomponenten in contact komen met, of schuren tegen onbeschermd scherpe randen en schurende oppervlakken. Alle scherpe randen en schurende oppervlakken moeten worden bedekt met beschermend materiaal wanneer contact onvermijdelijk is.
- 2.6 COMPATIBILITEIT VAN ONDERDELEN:** 3M-apparatuur is ontworpen voor gebruik met alleen door 3M goedgekeurde onderdelen en subsystemen. Substituties of vervangingen door niet-goedgekeurde onderdelen of subsystemen kunnen de compatibiliteit van apparatuur in gevaar brengen en kunnen de veiligheid en betrouwbaarheid van het volledige systeem negatief beïnvloeden.
- 2.7 COMPATIBILITEIT VAN CONNECTOREN:** Connectoren worden als compatibel met verbindende elementen beschouwd wanneer deze zijn ontwikkeld om op een zodanige manier samen te werken dat de maten en vormen, ongeacht hun oriëntatie, geen onbedoeld opengaan van openingsmechanismen veroorzaken. Neem contact op met 3M als u vragen hebt over compatibiliteit.
- Connectoren (musketonhaken en karabijnhaken) moeten in staat zijn om ten minste 5.000 lbf (22,2 kN) te dragen. Connectoren moeten compatibel zijn met de verankering of andere systeemcomponenten. Gebruik geen apparatuur die niet compatibel is. Verbindingen die niet compatibel zijn, kunnen onbedoeld losraken (zie afbeelding 5). Connectoren moeten compatibel zijn qua grootte, vorm en sterkte. Als het verbindingselement waaraan de musketonhaak of karabijnhaak bevestigd wordt, te klein of onregelmatig van vorm is, kan er een situatie optreden waarbij het verbindingselement kracht uitoefent op de opening van de musketonhaak of karabijnhaak (A). Door deze kracht kan de opening (B) opengaan, waardoor de musketonhaak of karabijnhaak kan losraken van het verbindingpunt (C).
- 2.8 VERBINDINGEN MAKEN:** Met deze apparatuur mogen alleen zelfvergrendelende musketonhaken en karabijnhaken gebruikt worden. Zorg ervoor dat de verbindingen qua grootte, vorm en sterkte bij elkaar passen. Gebruik geen apparatuur die niet compatibel is. Controleer of alle verbindingen volledig gesloten en vergrendeld zijn.
- 3M-connectoren (musketonhaken en karabijnhaken) zijn ontworpen om alleen gebruikt te worden zoals in de gebruikersinstructies van elk product vermeld staat. Zie afbeelding 6 voor onjuiste verbindingen. Verbind musketonhaken of karabijnhaken niet:
- Aan een D-ring waaraan al een andere connector bevestigd is.
  - Op een manier waardoor er een belasting op de opening komt te staan. Musketonhaken met een grote halsopening mogen niet worden verbonden met standaardformaat D-ringen of vergelijkbare voorwerpen. Dit resulteert in een belasting van de snapper als de haak of D-ring draait, tenzij de musketonhaak voldoet en is voorzien van een snapper die geschikt is voor 3.600 lbf (16 kN). Controleer de markering op uw musketonhaak en ga na of deze geschikt is voor uw toepassing.
  - Bij een onjuiste aankoppeling, waarbij onderdelen die uitsteken buiten de nok van de karabijnhaak op de D-ring haken en zonder visuele bevestiging volledig aangekoppeld lijken te zijn aan het verankeringspunt.
  - Aan elkaar.
  - Direct aan singelband of kabellijn of terugbindlijn (tie-back) - tenzij de instructies van de fabrikant een dergelijke verbinding voor zowel de lijn als de connector specifiek toestaat.
  - Aan elk object dat een zodanige vorm of dimensie heeft dat de musketonhaak of karabijnhaak niet dicht en op slot kan gaan, of daar waar uitrollen kan optreden.
  - Op een manier die de connector onder belasting geen correcte positie laat innemen.

### 3.0 INSTALLATIE

**3.1 PLANNING:** Plan uw valbeveiligingssysteem voordat u de digitale lier installeert. Let vóór, gedurende en na een val op alle factoren die uw veiligheid negatief kunnen beïnvloeden. Neem alle eisen, beperkingen en specificaties die in paragraaf 2 en tabel 1 zijn gedefinieerd in acht.

### 3.2 LIER INSTALLEREN OP DAVITARM OF STATIEF:

**LIERINSTALLATIE:** Zie afbeelding 8.

Stap 1: Installeer de lier op de steunstructuur door het sleufuiteinde van de snelmontagesteun op de vaste pen (A) op de montagebeugel te steken.

Stap 2: Draai de lier omhoog en lijn de gaten in de montagebeugels uit.

Stap 3: Steek de borgpen (B) door de gaten waarmee de lier aan de steunstructuur is bevestigd.

**Richtingsgevoelige poelies voor draadkabels moeten een minimumprofiel diameter van 2,5 inch (6,4 cm) hebben.**

### 3.3 BEDIENING VAN DE LIER:

**A. DE LIERLIJN MET EEN LADING VERBINDEN:** Zie afbeelding 10. A: Lierlijn, B: Y-type vanglijn, C: Secundaire reddingslijn, D: D-ring schouder, E: D-ring rug, F: Afhechtingsadapter, G: Materiaalbelasting. Voor toepassingen waarvoor geen secundaire PFAS is vereist, moet de lierlijn worden bevestigd aan de rug-D-ring van het harnas van de werknemer. Voor toepassingen waarvoor een secundaire PFAS is vereist, moet de lierlijn worden bevestigd aan een Y-type vanglijn en deze vanglijn moet worden bevestigd aan de schouder-D-ringen aan het harnas van de werknemer. De secundaire reddingslijn moet worden bevestigd aan de rug-D-ring van het harnas van de werknemer. Voor materiaalbehandelingstoepassingen moet de lierlijn worden bevestigd aan de last met behulp van een afhechtingsadapter of een ander verankeringsapparaat.

**B. DE DIGITALE LIER BEDIENEN:** Bevestig de lier aan de steunstructuur zoals beschreven in paragraaf 3.4. Installeer de tornhendel van de lier in de aandrijfnaaf 9:1 of 4:1 en duw deze stevig naar binnen tot de veerbelaste nok op de hendel op zijn plaats klikt (de greep op de hendel moet naar buiten wijzen).

Om de tornhendel uit de naaf te verwijderen, drukt u op de veerbelaste nok en trekt u de hendel uit de naaf.

Voer de lijn van de liertrommel af door de tornhendel in neerlaatrichting te draaien (linksom). Breng een spanning van ongeveer 10 lb. (4,5 kg) op de lijn aan terwijl deze van de trommel wordt gevoerd. Leid de lijn over het katrolsysteem van de steunconstructie. Raadpleeg de gebruikersinstructies van de ondersteuningsstructuur voor kabelroutering.

**EEN LADING HIJSEN:** Draai de tornhendel in de hijsrichting (rechtsom). Om de lading stil te hangen, stopt u met tornen. De automatische rem houdt de lading vast als de hendel wordt losgelaten. Overschrijd de nominale capaciteit van 450 lb. (204 kg) niet.

**EEN LADING LATEN ZAKKEN:** Draai de tornhendel in de neerlaatrichting (linksom). Wanneer u de lijn zonder lading laat zakken, moet u een spanning van ongeveer 10 lb. (4,5 kg) op de lijn houden om het vieren te ondersteunen en om kabelverknopping te voorkomen.

**C. STOOTBELASTINGSINDICATOR:** Zie afbeelding 11. A: Normale karabijnhaak, B: Karabijnhaak met stootbelasting, C: Rode band die de stootbelasting aangeeft. De digitale lier wordt geleverd met een verbindende zwenkhaak met een stootbelastingsindicator. Deze indicator functioneert als de lier een zware stootbelasting heeft ondergaan of als de hefcapaciteit wordt overschreden met een vooraf ingestelde waarde. Een haak die aan een stootbelasting is onderworpen, vertoont een rode band in het zwenkbereik.

**D. VERWIJDEREN VAN DE LIER:** Maak de reddingslijn los van het harnas van de werknemer of van de lading. Zorg voor een belasting van ten minste 10 lb (4,5 kg) op de reddingslijn tijdens het op de trommel wikkelen van de reddingslijn. Trek de reddingslijn door de steunstructuur terug. Blijf de reddingslijn op de trommel wikkelen totdat de koperen ringen en het vingerhoedje contact maken met de trommel. Maak de lier los van de steunstructuur.

**E. BOORMACHINENAAF (ZIE AFBEELDING 9):** Optioneel kan 8512936 (A) worden bevestigd om de gebruiker omhoog en omlaag te brengen met een boormachine (B) met een aandrijving van 1/2 inch (12,7 mm) en een max. boorsnelheid van 300 tpm. Zie IFU 5903667 voor meer details.

**3.4 BEVESTIGING VAN LADINGEN:** Trek aan de karabijnhaak terwijl u de hendel linksom tornt om de reddingslijn te vieren totdat er voldoende lijn is om comfortabel aan de werknemer of lading te bevestigen. Voer het bevestigen niet nabij de ingang uit, zodat er geen gevaar bestaat dat de werknemer of last kan vallen. Gebruik twee handen bij het bevestigen van de reddingslijn; één hand handhaaft de spanning op de reddingslijn, en de andere hand drukt het slot in en opent de poort aan de karabijnhaak. Steek de haak in de D-ring van het harnas. Maak de poort los en zorg ervoor dat de karabijnhaak stevig op de D-ring is vergrendeld.

### 3.5 SYSTEEMINTEGRITEIT:

Controleer de integriteit van de bevestiging en het ondersteuningssysteem als volgt:

**A.** Torn de lierhendel in de hijsrichting totdat de lijn goed strak staat. De werknemer moet zijn gewicht langzaam verplaatsen naar het harnas en de reddingslijn, totdat beide voeten van de grond kunnen worden getild.

**B.** Zorg ervoor dat de lier de werknemer in een stationaire positie houdt. Pas tevens de pasvorm van het harnas aan op dit moment, zodat het niet knelt, schuurt of vastzit.

**Gebruik de lier niet voor het hijsen of neerlaten van meer dan één persoon. Het maximale hefvermogen is 450 lbf (2,0 kN).**

**3.6 EEN WERKNEMER NEERLATEN:** De begeleider moet de lierhendel linksom draaien om de reddingslijn te vieren. De begeleider moet een van een handschoen voorziene hand op de reddingslijn houden terwijl deze wordt gevierd, om een lichte spanning op de reddingslijn te houden.

Als de lijn tijdens gebruik strak of slap wordt, communiceer dan met de hangende werknemer om vast te stellen of er een probleem is. Corrigeer problemen voordat u verder gaat.

**Als de tornspanning afneemt tijdens het neerlaten, heeft de persoon of de lading die wordt neergelaten, een werkniveau of een obstructie bereikt. Blijf niet tornen zonder met de persoon te communiceren of de neergelaten lading te controleren. Houd de kabel altijd stevig op spanning. Een slappe kabel kan een vrije val veroorzaken.**

De hoek van de reddingslijn moet op ten hoogste 5 graden ten opzichte van verticaal worden gehouden terwijl een werknemer in het harnas hangt. De werknemer kan ernstig gewond raken bij een schommelval van meer dan 5 graden. Als de werknemer niet in het harnas hangt en er geen kans is op een val, kan de begeleider voldoende lijn [maximaal 2 ft. (0,6 m)] vieren, zodat de werknemer comfortabel kan werken. De begeleider moet de lijn zo vasthouden dat er altijd een lichte spanning op de lijn staat. Zorg voor een constante communicatie tussen de werknemer en de begeleider.

**De laatste 10 ft (3 m) van de reddingslijn is voorzien van een rode markering en mag niet van de trommel worden afgewikkeld. Deze lengte biedt de vereiste wikkeling op de trommel om de reddingslijn goed te verankeren en zorgt ervoor dat de wikkeliingsrichting van de reddingslijn correct is. Stop met het vieren van de reddingslijn wanneer u de rode markering ziet. De reddingslijn moet op de trommel worden gewikkeld door de tornhendel uitsluitend in de richting "hijzen" (linksom) te draaien. Controleer periodiek of de reddingslijn gelijkmatig op de trommel wikkelt. Gebruik handschoenen bij het hanteren van de reddingslijn.**

- 3.7 EEN WERKNEMER TERUGHALEN:** Communiceer met de werknemer bij de voorbereiding om deze terug te halen en communiceer tijdens de gehele procedure. Plaats de tornhendel naar keuze in de aandrijfnaaf 4:1 of 9:1, zodat de tornkracht binnen een comfortabel bereik blijft. Trek de reddingslijn in en haal de werknemer terug. Handhaaf een gelijkmatige terughalsnelheid. Als de belasting op de lierhendel plotseling toeneemt, moet u stoppen en de oorzaak onderzoeken. Bepaal de oorzaak en verhelp het probleem voordat u verdergaat. Na het terughalen ondersteunt u de lading of de werknemer en koppelt u de reddingslijn los.
- 3.8 TRAAGHEIDSREM:** De digitale lier is voorzien van een constant gekoppelde rem, die een opgehangen lading vasthoudt wanneer de slinger wordt losgelaten. De rem bestaat uit drie onafhankelijke pallen. Alleen als alle drie de pallen niet meer werken, zal de primaire rem falen. De lier is voorzien van een secundaire traagheidsrem voor het geval de primaire rem uitvalt. Als de primaire rem faalt, draait de lier vrij totdat de traagheidsrem inschakelt en de kabel stopt. Er is niet meer dan 3 ft. (1 m) kabel nodig voordat de traagheidsrem inschakelt.
- 3.9 LINKSHANDIG TERUGHALEN:** De digitale lier kan worden aangepast zodat deze werkt voor linkshandig terughalen. Om deze aanpassing aan te brengen, verwijdert u de kabelhouderveer en bevestigt u deze met dezelfde bevestigingsmiddelen in het gat aan het andere uiteinde van de montageplaat. Verwijder de draaghendel door de twee schroeven te verwijderen waarmee deze aan de lier is bevestigd en monteert deze aan het andere uiteinde van de lier. Gebruik een verwijderbaar draadborgmiddel zoals Loctite 242 om alle bevestigingsmiddelen vast te zetten. De lier is nu op montagebeugels gemonteerd met de handgreep aan de linkerkant van de lier.

**In de linkshandige configuratie komt de kabel van de bovenkant van de trommel, waardoor de momentbelastingsvereisten veranderen. Zie tabel 1.**

- 3.10 INSTALLATIE KABEL:** De lier met doorlopende invoer is geschikt voor kernmantelkabel met een diameter van 1/2 inch (12 mm) van verschillende lengten. Installatieprocedures kunnen verschillen, afhankelijk van het feit of de kabel aan een uiteinde wordt afgesloten met een karabijnhaak.

**Nadat u de kabel in de lier met doorlopende invoer hebt gevoerd, is het wellicht noodzakelijk om het vrije uiteinde van de kabel onder spanning te brengen terwijl u een last heft, zodat de kabel volledig in de trommel past.**

**Zorg altijd voor voldoende lengte in de kabel om de lier veilig te kunnen gebruiken zonder dat de kabellengte opdraait.**

**ZONDER KARABIJNHAAK:** Kabel zonder karabijnhaak kan vanaf beide uiteinden in de lier met doorlopende invoer worden ingevoerd, afhankelijk van de hoeveelheid kabel die wordt gebruikt:

**INSTALLEREN VANAF HET BEGIN VAN KABEL:** Zie afbeelding 13.

Stap 1: Zet de lier met doorlopende invoer vast op de juiste verankering (statiefpoot, davitarm, enz.).

Stap 2: Steek het begin van de kabel onder de afstandshouder (13.1A) en tussen de trommel en de bovenrol (13.1B).

Stap 3: Leid de kabel voorzichtig in de lier terwijl u de tornhendel linksom draait. Terwijl de kabel door de lier loopt (afbeelding 13.2), zorgt u ervoor dat de kabel de lier verlaat over het afstandsstuk (13.2A) en onder de grote bovenste katrol (13.2B). Het kan nodig zijn om de kabel voor de bovenste katrol te geleiden.

Stap 4: Ga door met het tornen van de hendel en leid het kabeluiteinde over de poelie of kabelgeleider van het davit-systeem.

**INSTALLEREN VANAF HET EINDE VAN DE KABEL:** Zie afbeelding 14.

Stap 1: Zet de lier met doorlopende invoer vast op de juiste verankering (statiefbeen, davitarm, enz.).

Stap 2: Steek het uiteinde van de kabel boven het afstandsstuk (14.1A) en tussen de trommel en de grote bovenste katrol (14.1B).

Stap 3: Leid de kabel voorzichtig in de lier terwijl u de tornhendel rechtsom draait. Terwijl de kabel door de lier loopt (afbeelding 14.2), zorgt u ervoor dat het uiteinde van de kabel uit de lier komt onder het afstandsstuk (14.2A) en bovenop de bovenste rol (14.2B). Het kan nodig zijn om de kabel voor de afstandshouder (14.1A) te geleiden.

Stap 4: Blijf de tornhendel draaien totdat de kabel over de bovenste rol valt en vanaf de lier naar beneden hangt.

**3.12 KABEL MET EEN KARABIJNHAAK INSTALLEREN:** Wanneer u kabel installeert die aan één zijde eindigt met een karabijnhaak, moet de kabel op de juiste manier over een eventuele ankerstructuur (bijv. katrol, rol) lopen en moet het niet-afgesloten uiteinde door de lier met doorlopende invoer worden geleid op dezelfde manier als bij "*Installeren vanaf het einde van de kabel*".

**3.13 KABELAFSLUITING:** Het vrije uiteinde van de kabel moet worden vastgezet of er moet een knoop in worden gemaakt om te zorgen dat het vrije uiteinde van de kabel tijdens gebruik niet door de lier passeert.

## 4.0 GEBRUIK

**4.1 VÓÓR ELK GEBRUIK:** Controleer of uw werkgebied en valbeveiligingssysteem voldoen aan alle criteria die in deze instructies zijn gedefinieerd. Controleer of er een formeel reddingsplan aanwezig is. Inspecteer het product volgens de 'Gebruikers'-inspectiepunten zoals gedefinieerd in het '*Logboek voor inspectie en onderhoud*'. Als de inspectie een onveilige situatie of defect aan het licht brengt of als er twijfel bestaat over de veiligheid van het product, moet u dit onmiddellijk buiten gebruik stellen. Markeer het duidelijk met de tekst "NIET GEBRUIKEN". Zie paragraaf 5 voor meer informatie.

## 5.0 INSPECTIE

**5.1 REGELMAAT VAN INSPECTIE:** Het product moet voorafgaand aan het gebruik door de gebruiker worden geïnspecteerd en daarnaast door een andere deskundige persoon dan de gebruiker met intervallen van ten hoogste een jaar. Bij een hogere frequentie van het gebruik van de apparatuur en zwaardere omstandigheden moet de frequentie van inspecties door bevoegde personen mogelijk worden verhoogd. De frequentie van deze inspecties moet worden bepaald door de bevoegde persoon volgens de specifieke omstandigheden van de werkplek.

**5.2 INSPECTIEPROCEDURES:** Inspecteer dit product volgens de procedures in het '*Logboek voor inspectie en onderhoud*'. De documentatie van elke inspectie moet worden bijgehouden door de eigenaar van deze apparatuur. Een inspectie- en onderhoudslogboek moet in de buurt van het product worden geplaatst of anderszins gemakkelijk toegankelijk zijn voor gebruikers. Het wordt aanbevolen om het product te markeren met de datum van de volgende of laatste inspectie.

**Elke 10.000 cycli of 5 jaar:** Het wordt aanbevolen om de lier een onderhoudsbeurt te laten geven door een door de fabrikant bevoegd onderhoudscentrum of door de fabrikant. Bij extreme werkomstandigheden kunnen frequentere inspecties vereist zijn. Het onderhoud omvat maar is niet beperkt tot een intensieve inspectie en de reiniging van alle interne en externe onderdelen. Het niet laten uitvoeren van onderhoud kan de levensduur van het product verkorten en kan het functioneren ervan in gevaar brengen.

**5.3 DEFECTEN:** Wanneer bij inspectie een onveilige of gebrekkige staat aan het licht wordt gebracht, moet u de lier onmiddellijk buiten gebruik stellen en contact opnemen met 3M om mogelijkheden voor vervanging of reparatie te bespreken. Probeer het valstopsysteem niet te repareren.

**Het systeem mag alleen door een geautoriseerd persoon worden gerepareerd:** Alleen 3M of partners die hiervoor schriftelijk zijn geautoriseerd, mogen deze apparatuur repareren.

**5.4 GEBRUIKSDUUR VAN HET PRODUCT:** De functionele levensduur van het valstopsysteem wordt bepaald door werkomstandigheden en onderhoud. Zolang het product bij inspectie aan de criteria voldoet, kan het in gebruik blijven.

## 6.0 ONDERHOUD, SERVICE en OPSLAG


**6.1 REINIGEN:** Maak de metalen onderdelen van de digitale lier regelmatig schoon met een zachte borstel, warm water en een milde zeepoplossing. Zorg ervoor dat de onderdelen grondig worden gespoeld met schoon water.

**6.2 ONDERHOUD:** Alleen 3M of partners die hiervoor schriftelijk door 3M zijn geautoriseerd, mogen deze apparatuur repareren. Indien de digitale lier onderhevig is geweest aan valkrachten of indien inspectie een onveilige of gebrekkige toestand aan het licht brengt, moet u het systeem buiten gebruik stellen en contact opnemen met 3M voor vervanging of reparatie.

**6.3 OPSLAG EN TRANSPORT:** Wanneer de lier niet worden gebruikt, moet u deze en bijbehorende valbeschermingsapparatuur opslaan en vervoeren in een koele, droge, schone omgeving en buiten bereik van direct zonlicht. Vermijd plekken waar chemische dampen kunnen voorkomen. Inspecteer de onderdelen grondig na een langdurige opslag.

## 7.0 LABELS EN MARKERINGEN

Afbeelding 16 toont labels op de digitale lier. Labels moeten worden vervangen wanneer deze niet volledig leesbaar zijn. Elk label bevat de volgende informatie:

Ⓐ	 Lees alle instructies. 1) Jaar en maand van fabricage 2) Partijnummer 3) Model 4) Lengte
Ⓑ	10.000 cycli
Ⓒ	Instructielabel digitale lier



**Tabel 2 – Logboek voor inspectie en onderhoud**

Inspectiedatum:		Geïnspecteerd door:	
Componenten:	Inspectie: (Zie sectie 5 voor <i>Inspectiefrequentie</i> )	Gebruiker	Deskundige persoon <sup>1</sup>
Digitale lier (Afbeelding 2)	Inspecteer alle schroeven, bouten en moeren. Verzeker u ervan dat deze goed en vast zijn bevestigd. Controleer om te zien of er bouten, moeren of andere onderdelen ontbreken of op de een of andere manier zijn vervangen of gewijzigd. Inspecteer deksels en behuizingen. Verzeker u ervan dat deze vrij zijn van scheuren, deuken, corrosie of andere beschadigingen.	<input type="checkbox"/>	<input type="checkbox"/>
Labels (Afbeelding 15)	Controleer of alle labels stevig zijn bevestigd en goed leesbaar zijn.	<input type="checkbox"/>	<input type="checkbox"/>
Valbeveiligingsapparatuur	Extra valbeveiligingsapparatuur die met het product wordt gebruikt, moet worden geïnstalleerd en geïnspecteerd volgens de instructies van de fabrikant.	<input type="checkbox"/>	<input type="checkbox"/>
Schroeven tornhendel	De afneembare tornarm moet positief vastgrijpen in elke aandrijfnaaf en vrij zijn van scheuren, knikken of andere beschadigingen. Controleer of elke hendel op de tornarm goed vastzit. Gebruik indien nodig Loctite262 of een gelijkwaardige schroefdraadborgmiddel op de ankerschroeven zodat deze goed blijven vastzitten. Gebruik het apparaat niet tenzij de tornarm volledig functioneel is.	<input type="checkbox"/>	<input type="checkbox"/>
Verbindingshaak	De verbindingshaak mag niet beschadigd, defect of verbogen zijn. Ook mag er geen sprake zijn van scherpe randen, bramen, barsten, versleten onderdelen of corrosie. Zorg ervoor dat de verbindingshaak goed werkt. De haakpoort moet vrij bewegen en vergrendelen bij sluiten. De haak moet vrij kunnen ronddraaien.	<input type="checkbox"/>	<input type="checkbox"/>
Rem/slijtage-indicator (Afbeelding 11A)	Inspecteer de rem/slijtage-indicator in het midden van de aandrijfnaaf 4:1. Als de indicator in het rode gedeelte staat, neemt u de lier buiten bedrijf en brengt u deze naar 3M of naar een erkende reparatiedienst.	<input type="checkbox"/>	<input type="checkbox"/>
Digitale teller (Afbeelding 11B)	Als de digitale teller 10.000 cycli overschrijdt vanaf de laatste fabrieksservice die is vastgelegd in het inspectielogboek, stuurt u de lier terug naar 3M of naar een erkend reparatiecentrum voor onderhoud.	<input type="checkbox"/>	<input type="checkbox"/>
Draadkabelgebreken	Inspecteer de volledige lengte van de draadkabel, beginnend bij de haak. Draag altijd beschermende handschoenen bij het inspecteren van de draadkabel. Inspecteer op gebroken draden, door de draad via een van een handschoen voorziene hand te laten lopen. Buig de kabel om de paar centimeter om breuken bloot te leggen. Inspecteer op knikken, sneden, verbrande of geplette plekken, corrosie of andere schade. Een draadkabel met ernstige schade moet buiten gebruik worden genomen.	<input type="checkbox"/>	<input type="checkbox"/>
Synthetische kabel	Inspecteer op geconcentreerde slijtage, rafelige strengen, gebroken draden, sneden en schuurplekken. De kabel moet over de volledige lengte vrij zijn van knopen, overmatig vuil, opbouw van verfresten en roestvlekken. De kabel moet vrij zijn van ultravioletschade, zichtbaar door verkleuring, en splinters en schaafsel op het kabeloppervlak. Alle bovenstaande factoren dragen bij tot een afname van de draadsterkte. Een beschadigde of twijfelachtige kabel moet worden vervangen door een erkend servicecentrum.	<input type="checkbox"/>	<input type="checkbox"/>
Kabel	Controleer of de kabel volledig in de trommel zit door een lading van ten minste 100 lb. (35 kg) omhoog en omlaag te brengen. Als de kabel tijdens deze handeling slijpt, breng dan spanning aan op het vrije uiteinde van de kabel, terwijl de lading wordt gehesen totdat slijpen is opgeheven.	<input type="checkbox"/>	<input type="checkbox"/>

**1 Deskundige:** Een persoon die in staat is om bestaande en voorspelbare gevaren in de werkomgeving of -omstandigheden te identificeren die onhygiënisch, gevaarlijk of riskant zijn voor werknemers en die bevoegd is om direct corrigerende acties te ondernemen om gevaren te elimineren.



# INFORMAÇÕES DE SEGURANÇA

**Certifique-se de que lê, compreende e segue todas as informações de segurança antes de utilizar este Dispositivo de Entrada/Resgate em Espaço Confinado. O INCUMPRIMENTO DESSAS INSTRUÇÕES PODERÁ RESULTAR EM LESÕES GRAVES OU MORTE.**

**Estas instruções têm de ser fornecidas ao utilizador deste equipamento. Guarde estas instruções para referência futura.**

## Uso previsto:

Este Dispositivo de Entrada/Resgate em Espaço Confinado deve ser utilizado como parte de um sistema pessoal completo de proteção antiqueda ou de resgate.

A sua utilização noutras circunstâncias incluindo, sem limitações, aplicações não aprovadas de manuseamento de materiais, atividades recreativas ou relacionadas com desporto ou outras atividades não descritas nas Instruções para o Utilizador ou nas Instruções de Instalação, não é aprovada pela 3M, e pode resultar em ferimentos graves ou morte.

Este dispositivo só deve ser utilizado por pessoas que tenham recebido formação no local de trabalho.

## AVISO

Este Dispositivo de Entrada/Resgate em Espaço Confinado faz parte de um sistema de proteção antiqueda pessoal ou de um sistema de resgate. Todos os utilizadores devem receber formação quanto à instalação e manuseamento seguros de todo o sistema. **A má utilização deste dispositivo pode resultar em ferimentos graves ou morte.** Para a devida seleção, manuseamento, instalação, manutenção e reparação, consulte todas as Instruções sobre o Produto e todas as recomendações do fabricante, consulte o seu supervisor ou contacte os serviços técnicos da 3M.

- **Para minimizar os riscos associados à utilização de um Dispositivo de Entrada/Resgate em Espaço Confinado que, caso não evitados, podem resultar em ferimentos graves ou morte:**
  - Inspeccione o dispositivo antes de cada utilização, pelo menos uma vez por ano, e após cada incidente de queda. Inspeccione de acordo com as Instruções para o utilizador.
  - Se a inspeção revelar uma condição perigosa ou defeito, retire o dispositivo de serviço e repare-o ou substitua-o de acordo com as Instruções para o utilizador.
  - Qualquer dispositivo que tiver sido sujeito a forças de detenção da queda ou de impacto, deve ser imediatamente retirado de serviço. Consulte o Manual de instruções ou contacte o Departamento de proteção contra quedas da 3M.
  - O dispositivo apenas deve ser instalado da forma indicada em pormenor nas Instruções de Instalação ou nas Instruções para o Utilizador. As instalações e a utilização fora do âmbito das instruções devem ser aprovadas por escrito pela 3M Fall Protection.
  - O substrato ou a estrutura à qual o dispositivo é fixado deve ser capaz de suportar as cargas estáticas especificadas para o dispositivo nas orientações permitidas nas Instruções para o Utilizador ou nas Instruções de Instalação.
  - Não exceda o número de utilizadores permitidos.
  - Nunca trabalhe debaixo de uma carga ou de um trabalhador suspenso(a).
  - Tenha cautela ao instalar, usar e mover o dispositivo, uma vez que as partes móveis podem criar potenciais pontos de aperto. Consulte as Instruções para o Utilizador.
  - Certifique-se de que foram seguidos procedimentos adequados de bloqueio/sinalização, conforme aplicável.
  - Nunca fixe a um sistema até que o mesmo esteja posicionado, devidamente montado, ajustado e instalado. Não ajuste o sistema enquanto um utilizador estiver ligado ao mesmo.
  - Apenas conecte subsistemas de proteção antiqueda ao ponto de conexão de ancoragem designado no dispositivo.
  - Antes de perfurar ou fixar, certifique-se de que a broca ou o dispositivo não entrarão em contacto com cabos elétricos, condutas de gás, ou outros sistemas críticos incorporados.
  - Assegure-se de que os sistemas/subsistemas de proteção antiqueda, montados com componentes produzidos por diferentes fabricantes, são compatíveis e satisfazem os requisitos das normas aplicáveis, incluindo a ANSI Z359 ou outros códigos, normas ou requisitos de proteção antiqueda aplicáveis. Consulte sempre uma Pessoa competente ou Qualificada antes de utilizar estes sistemas.
- **Para minimizar os riscos associados à utilização em trabalhos em altura que, caso não evitados, podem resultar em ferimentos graves ou morte:**
  - Certifique-se de que a sua condição física e o seu estado de saúde lhe permitem suportar, com segurança, todas as forças associadas ao trabalho em altura. Consulte um médico caso tenha alguma questão quanto à sua capacidade de utilizar este equipamento.
  - Nunca exceda a capacidade permitida do seu equipamento de proteção antiqueda.
  - Nunca exceda a distância de queda livre máxima do seu equipamento de proteção antiqueda.
  - Não utilize qualquer equipamento de proteção antiqueda que não cumpra os critérios predefinidos ou outras inspeções agendadas ou caso tenha dúvidas quanto à utilização ou adequação do equipamento no seu trabalho. Contacte os serviços técnicos da 3M se tiver dúvidas.
  - Algumas combinações de subsistemas e componentes podem interferir com o funcionamento deste equipamento. Utilize apenas conectores compatíveis. Consulte a 3M quando instalar ou utilizar este equipamento em combinação com componentes ou subsistemas diferentes dos descritos nas Instruções para o utilizador.
  - Tome precauções adicionais ao trabalhar perto de maquinaria em movimento (por exemplo, sistema top drive das plataformas petrolíferas), quanto a perigos elétricos, temperaturas extremas, perigos químicos, gases explosivos ou tóxicos, bermas afiadas ou materiais suspensos que possam cair em cima de si ou do equipamento de proteção antiqueda.
  - Utilize equipamentos de proteção contra soldadura por arco elétrico ou materiais inflamáveis ao trabalhar em ambientes de temperatura elevada.
  - Evite superfícies ou objetos que possam causar-lhe ferimentos ou danificar o equipamento.
  - Certifique-se de que existe uma altura livre de queda ao trabalhar em alturas.
  - Nunca modifique ou altere o equipamento de proteção antiqueda. Apenas a 3M ou terceiros com autorização escrita da 3M podem efetuar reparações neste equipamento.
  - Antes de utilizar equipamento de proteção antiqueda, certifique-se de que existe um plano de resgate pronto a ser acionado caso ocorra um incidente de queda.
  - No caso de um incidente de queda, solicite imediatamente ajuda médica para o trabalhador que caiu.
  - Não utilize um cinto de segurança para aplicações de detenção da queda. Utilize apenas um arnês de corpo inteiro.
  - Minimize as quedas em pêndulo trabalhando o mais possível diretamente abaixo do ponto de ancoragem.
  - Se o dispositivo for utilizado durante uma formação, deve ser utilizado um sistema de proteção antiqueda secundário para garantir que o formando não fica exposto a perigos de queda.
  - Utilize sempre equipamento de proteção individual adequado durante a instalação, utilização ou inspeção do dispositivo/sistema.

Antes da instalação e utilização deste equipamento, registre os dados de identificação do produto da etiqueta de identificação no Registo de Inspeções e Manutenções no verso deste manual.

Certifique-se sempre de que está a utilizar a versão mais recente do seu manual de instruções da 3M. Visite o website da 3M ou contacte os serviços técnicos da 3M para obter manuais de instruções atualizados.

## DESCRIÇÃO DO PRODUTO:

A figura 1 ilustra o guincho de série digital 3M™ DBI-SALA™. Os guinchos de série digital são utilizados para posicionamento de trabalho, condução de pessoal, tratamento de material, proteção durante a escalada ou resgate e evacuação. Estes modelos de guincho devem ser utilizados com um tripé de proteção antiqueda 3M, braço de turco, ou outra estrutura de suporte, e podem ser utilizados em situações em que o pessoal ou os materiais precisam de ser levantados ou descidos até 290 pés. (88 m). A figura 2 ilustra os componentes do guincho digital e do guincho de alimentação contínua.

**A. Posicionamento de trabalho:** As aplicações incluem a suspensão de um trabalhador num assento de trabalho ou arnês. Deve ser anexado um sistema antiqueda de reserva ao funcionário suspenso.

**B. Condução de pessoal:** Ao nível do trabalho, o trabalhador já não é apoiado pelo guincho. Deve ser anexado um sistema antiqueda de reserva ao funcionário enquanto estiver a conduzir o guincho.

**C. Resgate e evacuação:** Utilizado para levantar ou descer um trabalhador ou pessoal de resgate em perigo ou ferido. As aplicações incluem trabalhos de entrada em espaços confinados com licença e sem licença. Em situações de resgate ou evacuação, utilize o sistema antiqueda de reserva.

**D. Proteção durante a escalada:** Utilizado para proteger um trabalhador que sobe ou desce uma escada fixa ou estrutura semelhante. A utilização deste guincho deve ser restrita a estruturas onde outros meios de proteção durante a escalada, tais como sistemas de segurança de escada instalados permanentemente ou sistemas de proteção antiqueda pessoais, são inviáveis. Para esta aplicação, devem ser cumpridas as seguintes condições:

- A escada ou os degraus estão em bom estado e permitem uma subida reta e contínua.
- O trabalhador que sobe a escada utiliza um arnês de corpo inteiro e a linha do guincho está ligada ao anel em D dorsal (traseiro) do arnês.
- O operador do guincho tem a devida formação e é competente na operação do guincho.
- Não é permitido desenvolver uma folga na linha quando o trabalhador sobe ou desce a escada.
- As faixas de absorção de energia devem ser ligadas entre o anel em D dorsal do arnês e a linha do guincho.

**Tabela 1 – Especificações**

Especificações do sistema:	
<b>Capacidade</b>	A carga máxima de trabalho para este produto é de uma pessoa com um peso máximo combinado (incluindo ferramentas, roupas e equipamentos) de 450 lb. (204 kg).
<b>Material do compartimento</b>	Molde de alumínio com acabamento em pintura revestida a pó
<b>Material da linha de vida</b>	3/16 pol. (5 mm) Aço inoxidável 1/4 pol. (6 mm) Aço inoxidável 3/16 pol. (5 mm) Aço galvanizado 1/4 pol. (6 mm) Corda Technora 1/2 pol. (12 mm) Corda Kernmantle
<b>Requisitos de montagem (consulte a figura 7)</b>	Configuração da mão direita (A): O cabo é alimentado pela parte de baixo com uma carga de momento de 775 pés-libras (1.051 N*m) e 3.100 lb*f (14 kN) na direção da tração.  Configuração da mão esquerda (B): O cabo é alimentado pela parte de cima com uma carga de momento de 2.356 pés-libras. (3.194 N*m) e 3.100 lb*f (14 kN) na direção da tração.
Guincho digital	
Referência na Figura 2	Componente
(A)	Guincho
(B)	Cubo de condução primário. Relação de redução 4:1
(C)	Cubo de condução secundário. Relação de redução 9:1
(D)	Mola de retenção do cabo
(E)	Pega para transporte
(F)	Cubos de acionamento manual
(G)	Braço de manivela removível
(H)	Placa de montagem superior

**Tabela 1 – Especificações**

<b>Guincho de alimentação contínua:</b>	
<b>Referência na Figura 2</b>	<b>Componente</b>
(J)	Manípulo de manivela removível
(K)	Polia superior
(L)	Espaçador
(M)	Cilindro superior

**Dimensões (consulte a figura 15):**

**A:** Guincho de série 100, guincho de alimentação contínua (8514602)

**B:** Guincho de série 200

**C:** Guincho de série 300

<b>Série</b>	<b>Modelo</b>	<b>Comprimento do cabo de proteção</b>	<b>Tipo de cabo</b>	<b>Peso</b>
<b>A</b>	8518567	60 ft. (18 m)	aço galvanizado	13,8 kg (30,5 lb)
	8518565	60 ft. (18 m)	Aço inoxidável	13,8 kg (30,5 lb)
	8518571	60 ft. (18 m)	Corda Technora	12,2 kg (27 lb)
	8518560	60 ft. (18 m)	aço galvanizado	13,8 kg (30,5 lb)
	8518558	60 ft. (18 m)	Aço inoxidável	13,8 kg (30,5 lb)
	8518564	60 ft. (18 m)	Corda Technora	12,2 kg (27 lb)
	8518568	90 ft. (27 m)	aço galvanizado	14,7 kg (32,5 lb)
	8518566	90 ft. (27 m)	Aço inoxidável	14,7 kg (32,5 lb)
	8518561	90 ft. (27 m)	aço galvanizado	14,7 kg (32,5 lb)
	8518559	90 ft. (27 m)	Aço inoxidável	14,7 kg (32,5 lb)
<b>B</b>	8518588	140 ft. (42 m)	aço galvanizado	18,4 kg (40 lb)
	8518586	140 ft. (42 m)	Aço inoxidável	18,4 kg (40 lb)
	8518581	140 ft. (42 m)	aço galvanizado	18,4 kg (40 lb)
	8518579	140 ft. (42 m)	Aço inoxidável	18,4 kg (40 lb)
	8518589	190 ft. (58 m)	aço galvanizado	19,4 kg (43 lb)
	8518587	190 ft. (58 m)	Aço inoxidável	19,4 kg (43 lb)
	8518582	190 ft. (58 m)	aço galvanizado	19,4 kg (43 lb)
	8518580	190 ft. (58 m)	Aço inoxidável	19,4 kg (43 lb)
<b>C</b>	8518610	240 ft. (73 m)	aço galvanizado	22,6 kg (50 lb)
	8518608	240 ft. (73 m)	Aço inoxidável	22,6 kg (50 lb)
	8518603	240 ft. (73 m)	aço galvanizado	22,6 kg (50 lb)
	8518601	240 ft. (73 m)	Aço inoxidável	22,6 kg (50 lb)
	8518611	290 ft. (88 m)	aço galvanizado	19,5 kg (53,5 lb)
	8518609	290 ft. (88 m)	Aço inoxidável	19,5 kg (53,5 lb)
	8518604	290 ft. (88 m)	aço galvanizado	19,5 kg (53,5 lb)
	8518602	290 ft. (88 m)	Aço inoxidável	19,5 kg (53,5 lb)
<b>Guincho de alimentação contínua</b>	8514602	-----	1/2 pol. (12 mm) Corda Kernmantle	14,6 kg (32,2 lb)

**1 Capacidade:** 310 lb. (140 kg) é o intervalo de capacidade requerido pela ANSI. Este produto foi testado de acordo com uma capacidade máxima de 450 lb. (204 kg) em conformidade com a OSHA.

**2 Pessoa qualificada:** Um indivíduo com um grau reconhecido ou certificado profissional e experiência alargada em proteção contra quedas. Este indivíduo deverá estar apto a desenhar, analisar, avaliar e a fornecer especificações para Proteção contra quedas.

## 1.0 APLICAÇÃO DO PRODUTO

**1.1 OBJETIVO:** Os guinchos 3M garantem a segurança dos sistemas antiqueda 3M e permitem que estes sistemas sejam utilizados para outras aplicações. Os guinchos 3M foram concebidos para utilização como parte de um sistema de posicionamento de trabalho ou resgate. A figura 1 ilustra os modelos do guincho abrangidos por este manual de instruções. Dependendo do modelo do guincho, as aplicações do sistema também podem incluir o manuseio de material, a condução de pessoal e a escalada. Para obter mais informações sobre as aplicações do sistema, consulte a tabela 1.

*Nunca utilize os guinchos 3M como dispositivos primários antiqueda num sistema antiqueda.*

- 1.2 NORMAS:** O seu produto está em conformidade com as normas nacionais ou regionais identificadas na capa destas instruções. Se este produto for revendido fora do país de destino original, o revendedor deverá fornecer estas instruções no idioma do país no qual o produto será utilizado.
- 1.3 SUPERVISÃO:** A utilização deste equipamento tem que ser supervisionada por uma pessoa competente<sup>1</sup>. A instalação deste equipamento tem que ser supervisionada por uma pessoa qualificada<sup>2</sup>.
- 1.4 FORMAÇÃO:** Este equipamento deve ser instalado e utilizado por pessoas que tenham recebido formação quanto à sua aplicação correta. Estas instruções devem ser utilizadas como parte de um programa de formação de funcionários, conforme requerido pelos regulamentos nacionais, regionais ou locais. É da responsabilidade dos utilizadores e dos instaladores deste equipamento garantir que estão familiarizados com estas instruções, que receberam formação sobre a manutenção e utilização corretas deste equipamento e que têm conhecimento das características de funcionamento, dos limites de aplicação e das consequências da utilização indevida do mesmo.
- 1.5 PLANO DE RESGATE:** Ao utilizar este equipamento e subsistemas de ligação, o empregador deve ter em mãos um plano de resgate escrito e os meios para implementar e comunicar esse plano aos utilizadores<sup>3</sup> pessoas autorizadas<sup>4</sup> e socorristas<sup>5</sup>. Recomenda-se a presença de uma equipa de resgate com formação no local. Os membros da equipa devem receber o equipamento e conhecer as técnicas necessárias para realizar um resgate bem sucedido. A formação deve ser fornecida periodicamente para assegurar a competência técnica da equipa de resgate. Os socorristas devem receber estas Instruções. Deve existir contacto visual ou um meio de comunicação com a pessoa a ser resgatada durante o processo de resgate.
- 1.6 DISTÂNCIA DE QUEDA:** Ao determinar o espaço livre de queda para qualquer sistema antiqueda, deve ser tido em consideração o comprimento do conector utilizado. Deve existir espaço livre de queda suficiente para impedir uma queda antes que o utilizador caia ao chão ou encontre um obstáculo. Para obter mais informações sobre o cálculo do espaço livre de queda, consulte as instruções do fabricante incluídas com o seu subsistema de ligação.
- 1.7 QUEDAS COM OSCILAÇÃO:** As quedas com oscilação ocorrem quando o ponto de fixação não está diretamente acima do ponto onde a queda ocorre (consulte a Figura 4). A força de impacto num objeto numa queda com oscilação pode provocar lesões graves ou morte. Não permita uma queda com oscilação se existir a possibilidade de lesão. Minimize as quedas com oscilação trabalhando o mais possível diretamente abaixo do ponto de fixação. O espaço livre de queda (FC) requerido do utilizador aumenta conforme aumenta o raio de trabalho do utilizador (W), já que a distância total de queda será maior do que se o utilizador tivesse caído diretamente abaixo do ponto de ancoragem.
- 1.8 APÓS UMA QUEDA:** Se este equipamento for sujeito a queda ou forças de impacto, retire imediatamente o dispositivo de serviço. Identifique-o claramente com a mensagem "NÃO UTILIZAR". Veja a Secção 5 para mais informações.

## 2.0 REQUISITOS DO SISTEMA

- 2.1 ANCORAGEM:** Os requisitos de fixação variam com a aplicação da proteção contra quedas. A estrutura de montagem na qual o equipamento é colocado deve respeitar as especificações de Ancoragem definidas na Tabela 1.
- 2.2 CAPACIDADE:** A capacidade do utilizador de um sistema completo de proteção antiqueda é limitada pelo seu componente de capacidade máxima nominal mais baixa. Por exemplo, se o subsistema de ligação tem uma capacidade inferior à do seu arnês, é necessário cumprir os requisitos de capacidade do subsistema de ligação. Consulte as instruções do fabricante para cada componente do seu sistema para saber as necessidades de capacidade.
- 2.3 RISCOS AMBIENTAIS:** A utilização deste equipamento em áreas com perigos ambientais poderá necessitar de precauções acrescidas a fim de evitar lesões no utilizador ou danos no equipamento. Os perigos podem incluir (embora sem caráter limitativo): temperaturas elevadas, químicos, ambientes corrosivos, linhas de alta tensão, gases explosivos ou tóxicos, máquinas em movimento, extremidades afiadas ou materiais suspensos que possam cair e atingir o utilizador ou equipamento. Entre em contacto com os Serviços Técnicos da 3M para obter mais esclarecimentos.
- 2.4 PERIGOS DA LINHA DA VIDA:** Certifique-se de que a linha de vida é mantida livre de todos os perigos, incluindo, mas não se limitando a: emaranhamento com utilizadores, outros trabalhadores, máquinas em movimento, outros objetos ao redor ou impacto de objetos aéreos que possam cair sobre a linha de vida ou utilizadores.

**1 Pessoa competente:** Pessoa capaz de identificar perigos existentes e previsíveis nas proximidades ou condições de trabalho insalubres, nocivas ou perigosas para os funcionários, autorizada a tomar medidas corretivas imediatas para os eliminar.

**2 Pessoa qualificada:** Uma pessoa com um diploma, certificado ou posição profissional reconhecido, ou que, com amplo conhecimento, formação e experiência, tenha demonstrado com êxito a sua capacidade de solucionar ou resolver problemas relacionados com sistemas de proteção contra quedas e resgate, na medida exigida pelos regulamentos nacionais, regionais e locais aplicáveis.

**3 Utilizador:** Uma pessoa que realiza atividades enquanto protegida por um sistema de proteção contra quedas.

**4 Pessoa autorizada:** Uma pessoa designada pela entidade patronal para realizar trabalhos numa localização em que a pessoa estará exposta a perigo de queda.

**5 Socorrista:** Uma pessoa que utiliza o sistema de Resgate para realizar um resgate assistido.

**2.5 EXTREMIDADES AFIADAS:** Evite utilizar este equipamento em locais em que os componentes do sistema estejam em contacto ou raspem contra arestas aguçadas ou superfícies abrasivas. Todas as arestas aguçadas e superfícies abrasivas devem ser cobertas com material de proteção quando o contacto é inevitável.

**2.6 COMPATIBILIDADE DOS COMPONENTES:** O equipamento da 3M destina-se ser utilizado apenas com componentes e subsistemas aprovados pela 3M. Quaisquer substituições efetuadas com componentes ou subsistemas não aprovados podem comprometer a compatibilidade do equipamento e afetar a segurança e fiabilidade de todo o sistema.

**2.7 COMPATIBILIDADE DOS CONECTORES:** considera-se que os conectores são compatíveis com os elementos de ligação quando estes foram concebidos para trabalharem em conjunto de um modo que os seus tamanhos e formatos não provoquem a abertura inadvertida dos seus mecanismos de abertura independentemente da sua orientação. Contacte a 3M se tiver dúvidas em relação à compatibilidade.

Os conectores (ganchos de engate e mosquetões) devem ter capacidade para suportar, pelo menos, 5.000 lbf (22,2 kN). Os conectores têm de ser compatíveis com a ancoragem ou outros componentes do sistema. Não utilize equipamento que não seja compatível. Os conectores incompatíveis podem desprender-se involuntariamente (consulte a Figura 5). Os conectores têm de ser compatíveis em tamanho, forma e resistência. Se o elemento de ligação ao qual se fixa o mosquetão ou gancho de engate rápido for demasiado pequeno ou tiver uma forma irregular, pode ocorrer um problema no local onde o elemento de ligação aplica uma força no trinco do mosquetão ou gancho de engate rápido (A). Esta força pode provocar a abertura do trinco (B), permitindo que o mosquetão ou gancho de engate rápido se solte do ponto de ligação (C).

**2.8 EFETUAR LIGAÇÕES:** os mosquetões e ganchos de engate rápido utilizados com este equipamento têm de ser de bloqueio automático. Certifique-se de que todas as ligações são compatíveis em tamanho, forma e resistência. Não utilize equipamento que não seja compatível. Certifique-se de que todos os conectores estão totalmente fechados e bloqueados.

Os conectores 3M (mosquetões e ganchos de engate rápido) foram concebidos para serem utilizados apenas como indicado no manual de instruções de cada produto. Consulte a Figura 6 para visualizar exemplos de ligações incorretas. Não ligue mosquetões e ganchos de engate rápido:

- A. A um anel em D onde esteja preso outro conector.
- B. de forma a que resulte uma carga sobre a lingueta de abertura. Os ganchos de engate rápido de abertura larga não devem ser ligados a anéis em D de tamanho normal ou a objetos idênticos, pois tal iria resultar numa carga sobre o trinco caso o gancho ou o anel em D gire ou rode, a não ser que o gancho de engate rápido esteja equipado com um trinco para 16 kN (3600 lbf.). Veja as marcações do seu mosquetão para verificar se é adequado para a sua aplicação.
- C. Num encaixe incorreto, onde os componentes que sobressaem do gancho de engate rápido ou mosquetão ficam presos na ancoragem e que, sem confirmação visual, parecem estar totalmente encaixados ao ponto de ancoragem.
- D. Entre si.
- E. Diretamente ao cordão de segurança de rede ou tecido ou à fixação traseira (a não ser que as instruções do fabricante, tanto para o cordão de segurança como para o conector autorizem especificamente essa ligação).
- F. A qualquer objeto que tenha uma forma ou dimensão que não permita que o gancho de engate ou o mosquetão feche ou tranque ou de modo a que possa ocorrer um deslize.
- G. De forma a não permitir que o conector fique corretamente alinhado enquanto estiver sujeito a carga.

### 3.0 INSTALAÇÃO

**3.1 PLANEAMENTO:** Planeie o seu sistema de proteção antiqueda antes da instalação do guincho digital. Tenha em consideração todos os fatores que podem afetar a sua segurança antes, durante e após uma queda. Tenha em consideração todos os requisitos, limitações e especificações definidos na Secção 2 e na Tabela 1.

### 3.2 INSTALAÇÃO DO GUINCHO NO BRAÇO DE TURCO OU TRIPÉ:

**INSTALAÇÃO DO GUINCHO:** Consulte a Figura 8.

Passo 1: Instale o guincho na estrutura de suporte ao inserir a extremidade com ranhuras do suporte de montagem rápida no pino fixo (A) do suporte de montagem.

Passo 2: Rode o guincho para cima para alinhar os orifícios dos suportes de montagem.

Passo 3: Insira o pino detentor de bloqueio (B) através dos orifícios que fixam o guincho à estrutura do suporte.

**As roldanas direcionais do cabo devem ter um diâmetro mínimo do piso de 2,5 polegadas (6,4 cm).**

### 3.3 OPERAÇÃO DO GUINCHO:

**A. LIGAR A LINHA DO GUINCHO A UMA CARGA:** Consulte a Figura 10. A: Linha de guincho, B: Cabo de segurança tipo Y, C: Linha de vida secundária, D: Anel em D de ombro, E: Anel em D traseiro, F: Adaptador para amarração, G: Carga de material. Para aplicações que não requerem um PFAS secundário, a linha de guincho deve ser ligada ao anel em D traseiro do arnês do trabalhador. Para aplicações que requerem um PFAS secundário, a linha de guincho deve ser ligada a um cabo de segurança tipo Y e este cabo de segurança deve ser fixado aos anéis em D de ombro do arnês do trabalhador. A linha de vida secundária deve ser ligada ao anel em D traseiro do arnês do trabalhador. Para aplicações de manuseio de material, ligue a linha do guincho à carga ao utilizar um adaptador para amarração ou outro dispositivo de ancoragem.

**B. OPERAR O GUINCHO DIGITAL:** Anexe o guincho à estrutura de suporte conforme descrito na secção 3.4. Instale o manípulo de manivela do guincho no cubo de acionamento 9:1 ou 4:1 e empurre firmemente para dentro até que a aba com mola no manípulo encaixe (a pega do manípulo deve estar virada para fora).

Para remover o manípulo da manivela do cubo, empurre para baixo a aba com mola e puxe o manípulo para fora do cubo.

Alimente a linha fora do tambor do guincho ao rodar o manípulo da manivela no sentido de descida (sentido contrário aos ponteiros do relógio). Aplique cerca de 10 lb. (4,5 kg) de tensão na linha enquanto a alimenta fora do tambor.

Encaminhe a linha sobre o sistema de polias da estrutura de suporte. Consulte as instruções do utilizador da estrutura de suporte para direcionar os cabos.

**PARA LEVANTAR UMA CARGA:** Rode o manípulo da manivela do guincho no sentido de subida (sentido dos ponteiros do relógio). Para segurar ou suspender momentaneamente a carga, pare da ação da manivela. O travão automático irá segurar a carga se o manípulo for solto. Não exceda a capacidade nominal de 450 lb. (204 kg).

**PARA BAIXAR UMA CARGA:** Rode o manípulo da manivela do guincho no sentido de descida (sentido contrário aos ponteiros do relógio). Ao descer a linha sem carga, mantenha cerca de 10 lb. (4,5 kg) de tensão na linha para ajudar a desenrolar e evitar o emaranhamento dos cabos.

**C. INDICADOR DE IMPACTO:** Consulte a Figura 11. A: Gancho de engate normal, B: Gancho de engate impactado, C: Faixa vermelha a indicar carga de impacto. O guincho digital é fornecido com um gancho giratório de ligação que incorpora um indicador de impacto. Este indicador funciona se o guincho estiver carregado com impacto severo ou se a capacidade de elevação for excedida por uma quantidade predefinida. Um gancho que tenha sido sujeito a uma carga de impacto irá apresentar uma faixa vermelha na área giratória.

**D. REMOÇÃO DO GUINCHO:** Desligue a linha de vida do arnês do trabalhador ou da carga de material. Mantenha pelo menos uma carga de 10 lb. (4,5 kg) sobre a linha de vida ao enrolar a linha de vida no tambor. Retraia a linha de vida através da estrutura de suporte. Continue a enrolar a linha de vida no tambor até que as virolas de cobre e o dedal entrem em contacto com o tambor. Desligue o guincho da estrutura de suporte.

**E. CUBO DO BERBEQUIM ELÉTRICO (CONSULTE A FIGURA 9):** Pode ser fixa a opção 8512936 (A) para levantar e baixar o utilizador com um berbequim elétrico (B) com 1/2 pol. (12,7 mm) e uma rotação máxima da broca de 300 RPM. Consulte IFU 5903667 para obter mais detalhes.

**3.4 FIXAÇÃO DA CARGA:** Puxe o gancho de engate enquanto roda o manípulo no sentido contrário ao dos ponteiros do relógio para prolongar a linha de vida até que haja uma linha suficiente para se fixar confortavelmente ao trabalhador ou à carga. Realize a fixação longe da entrada para que não haja perigo de queda do trabalhador ou da carga. Utilize as duas mãos ao fixar a linha de vida; uma mão mantém a tensão na linha de vida e a outra pressiona o bloqueio e abre a lingueta no gancho de engate. Insira o gancho no anel em D do arnês. Solte a lingueta e certifique-se de que o gancho de engate está firmemente preso ao anel em D.

### 3.5 INTEGRIDADE DO SISTEMA:

Verifique a integridade do sistema de fixação e suporte da seguinte forma:

**A.** Coloque o manípulo do guincho na direção de subida até que a linha esteja apertada. O trabalhador deve transferir lentamente o seu peso para o arnês e linha de vida até conseguir levantar ambos os pés do chão.

**B.** Certifique-se que o guincho mantém o trabalhador numa posição estacionária. Ajuste também o encaixe do arnês neste momento para que não belisque, roce ou amarre.

**Não utilize o guincho para subir ou descer mais do que uma pessoa de cada vez. A capacidade máxima de subida é de 450 lbf (2,0 KN).**

**3.6 BAIXAR UM TRABALHADOR:** O assistente deve rodar o cabo do guincho no sentido contrário ao dos ponteiros do relógio para desenrolar a linha de vida. O assistente deve manter uma mão enluvada na linha de vida enquanto esta se estende para manter uma ligeira tensão na linha de vida.



Se a linha ficar apertada ou frouxa durante a utilização, comunique com o trabalhador suspenso para determinar se há um problema. Corrija antes de prosseguir.

**Se a tensão da manivela afrouxar durante a descida, a pessoa ou material que está a ser descido alcançou um nível de trabalho ou uma obstrução. Não continue a rodar sem comunicar com a pessoa ou verificar o material a ser baixado. Mantenha sempre a tensão do cabo firme. O cabo frouxo pode causar uma queda livre.**

Enquanto um trabalhador estiver suspenso, mantenha o ângulo da linha de vida a um máximo de 5 graus da vertical. O trabalhador pode ficar gravemente ferido numa queda de balanço a mais de 5 graus. Se o trabalhador não estiver suspenso e não houver probabilidade de queda, o assistente pode desenrolar linha suficiente [máximo de 2 pés (0,6 m)] para que o trabalhador possa trabalhar confortavelmente. O assistente deve segurar a linha para que haja sempre uma ligeira tensão. Mantenha uma comunicação constante entre o trabalhador e o assistente.

**Os últimos 10 pés (3 m) da linha de vida têm um marcador vermelho e não devem ser desenrolados do tambor. Este comprimento fornece o enrolamento necessário no tambor para fixar corretamente a linha de vida e assegura que a direção do enrolamento da linha de vida está correta. Pare de estender a linha de vida quando vir o marcador vermelho. A linha de vida deve ser enrolada no tambor girando o manípulo da manivela apenas no sentido "subir" (sentido contrário ao dos ponteiros do relógio). Verifique periodicamente para ver se a linha de vida está a enrolar uniformemente no tambor. Utilize luvas ao manusear a linha de vida.**

- 3.7 RECUPERAR UM TRABALHADOR:** Comunique com o trabalhador quando se preparar para o recuperar e mantenha a comunicação durante todo o procedimento. Coloque o manípulo da manivela no cubo de acionamento 4:1 ou 9:1, conforme adequado, para manter a força de rotação num intervalo confortável. Retraia a linha de vida e recupere o trabalhador. Mantenha uma taxa de recuperação uniforme. Se a carga de rotação do manípulo do guincho aumentar repentinamente, pare e investigue. Determine a causa e corrija o problema antes de continuar. Após a recuperação, suporte a carga ou o trabalhador e desligue a linha de vida.
- 3.8 TRAVÃO DE INÉRCIA:** O guincho digital é desenhado com um travão constantemente engatado que irá segurar uma carga suspensa sempre que o manípulo da manivela for solto. O travão é composto por três trincos independentes. Os três trincos têm de se tornar inoperáveis para que o travão primário falhe. O guincho tem um travão de inércia secundário no caso de o travão primário falhar. Se o travão primário falhar, o guincho irá rodar livremente até o travão de inércia ser engatado e parar o cabo. Não é distribuído mais do que 3 pés (1 m) de cabo antes de o travão de inércia engatar.
- 3.9 MÃO ESQUERDA DE RECUPERAÇÃO:** O guincho digital pode ser ajustado para funcionar como uma mão esquerda de recuperação. Para fazer este ajuste, retire a mola de retenção do cabo e prenda-a ao orifício na outra extremidade da placa de montagem utilizando o mesmo hardware. Retire o manípulo de transporte retirando os dois parafusos que o fixam ao guincho e substitua-o na outra extremidade do guincho. Utilize um bloqueio de rosca removível como o Loctite 242 para fixar todos os elementos de fixação. O guincho irá agora ser montado em suportes de montagem com o manípulo do lado esquerdo do guincho.

**O cabo irá alimentar a parte superior do tambor na configuração da mão esquerda, alterando os requisitos de carga do momento. Consulte a Tabela 1.**

- 3.10 INSTALAÇÃO DA CORDA:** O guincho de alimentação contínua pode acomodar 1/2 pol. (12 mm) de diâmetro de corda Kernmantle de comprimentos variados. Os procedimentos de instalação variam conforme se a corda termina com um gancho de engate numa das extremidades.

**Depois de alimentar a corda com o guincho de alimentação contínua, pode ser necessário aplicar tensão na extremidade livre da corda enquanto se levanta uma carga para assentar completamente a corda no tambor.**

**Certifique-se sempre de que há comprimento suficiente na corda para operar o guincho com segurança sem ficar sem comprimento de corda.**

**SEM GANCHO DE ENGATE:** A corda sem gancho de engate pode ser alimentada no guincho de alimentação contínua de qualquer extremidade, dependendo da quantidade de corda utilizada:

**INSTALAR DESDE O INÍCIO DA CORDA:** Consulte a Figura 13.

Passo 1: Fixe o guincho de alimentação contínua à ancoragem adequada (perna do tripé, braço do turco, etc.)

Passo 2: Insira o início da corda sob o espaçador (13.1A) e entre o tambor e o rolo superior (13.1B).

Passo 3: Guie suavemente a corda no guincho enquanto roda o manípulo da manivela no sentido contrário ao dos ponteiros do relógio. Quando a corda passa pelo guincho (figura 13.2), certifique-se de que a corda sai do guincho sobre o espaçador (13.2A) e sob a polia superior grande (13.2B). Pode ser necessário guiar a corda em frente à polia superior.

Passo 4: Continue a rodar o cabo e encaminhe a extremidade do cabo sobre a polia do sistema de turco ou guia do cabo.

**INSTALAR A PARTIR DA EXTREMIDADE DA CORDA:** Consulte a Figura 14.

Passo 1: Fixe o guincho de alimentação contínua à ancoragem adequada (perna do tripé, braço do turco, etc.)

Passo 2: Insira a extremidade da corda acima do espaçador (14.1A) e entre o tambor e a polia superior grande (14.1B).

Passo 3: Guie suavemente a corda no guincho enquanto roda o manípulo da manivela no sentido dos ponteiros do relógio. Quando a corda passa pelo guincho (figura 14.2), certifique-se de que a extremidade da corda sai do guincho sob o espaçador (14.2A) e por cima da polia superior grande (14.2B). Pode ser necessário guiar a corda em frente ao espaçador (14.1A).

Passo 4: Continue a dar ao manípulo da manivela até que a corda cubra a polia superior e fique suspensa no guincho.

**3.12 INSTALAR CORDA COM UM GANCHO DE ENGATE:** Ao instalar o cabo terminado com um gancho de engate numa das extremidades, o cabo deve ser conduzido corretamente sobre qualquer estrutura de ancoragem (por exemplo, polia, roldana) e a extremidade não terminada deve ser alimentada através do guincho de alimentação contínua da mesma forma do que na secção "Instalar a partir da extremidade da corda".

**3.13 TERMINAR EM CORDA:** A extremidade livre da corda deve ser fixada ou ter um nó atado para garantir que a extremidade livre da corda não passa através do guincho durante a operação.

#### 4.0 UTILIZAÇÃO

**4.1 ANTES DE CADA UTILIZAÇÃO:** Confirme que a sua área de trabalho e o sistema de proteção contra quedas cumprem todos os critérios definidos nestas instruções. Verifique se há um Plano de resgate formal em vigor. Inspeccione o produto de acordo com os pontos de inspeção do "Utilizador" definidos em "Registo de inspeção e manutenção". Se a inspeção revelar condições perigosas ou defeituosas, ou se surgir alguma dúvida sobre o seu estado para garantir uma utilização segura, retire imediatamente o produto de serviço. Identifique-o claramente com a mensagem "NÃO UTILIZAR". Veja a Secção 5 para mais informações.

#### 5.0 INSPEÇÃO

**5.1 FREQUÊNCIA DE INSPEÇÕES:** O produto será inspecionado pelo utilizador antes de cada utilização e, além disso, por uma Pessoa competente, que não seja o utilizador, em intervalos não superiores a um ano. Uma frequência mais alta de uso do equipamento e condições mais severas podem exigir o aumento da frequência das inspeções de pessoa competente. A frequência dessas inspeções deve ser determinada pela pessoa competente de acordo com as condições específicas do local de trabalho.

**5.2 PROCEDIMENTOS DE INSPEÇÃO:** Inspeccione este produto de acordo com os procedimentos listados na "Registo de inspeção e manutenção". A documentação de cada inspeção deve ser mantida pelo proprietário deste equipamento. Um registo de inspeção e manutenção deve ser colocado próximo do produto ou ser facilmente acessível aos utilizadores. Recomenda-se que o produto seja identificado com a data da próxima ou da última inspeção.

**A cada 10.000 ciclos ou 5 anos:** Recomenda-se que a manutenção do guincho seja feita por um centro de serviço autorizado de fábrica ou pelo fabricante. As condições de trabalho extremas poderão requerer o aumento da frequência das inspeções. A manutenção deve incluir mas não se limitar a uma inspeção e limpeza intensiva de todos os componentes internos e externos. A não prestação do serviço adequado pode encurtar a vida útil do produto e pode pôr em risco o desempenho.

**5.3 DEFEITOS:** Se a inspeção revelar condições perigosas ou defeituosas, retire o guincho de serviço imediatamente e contacte a 3M relativamente à substituição ou reparação. Não tente reparar o Sistema de detenção da queda.

**Apenas reparações autorizadas:** Apenas a 3M ou terceiros com autorização escrita podem efetuar reparações neste equipamento.

**5.4 VIDA DO PRODUTO:** A vida funcional do sistema de detenção da queda é determinada pelas condições de trabalho e manutenção. Enquanto o produto passar os critérios de inspeção, poderá continuar a ser utilizado.

#### 6.0 MANUTENÇÃO, ASSISTÊNCIA e ARMAZENAMENTO


**6.1 LIMPEZA:** Limpe periodicamente os componentes metálicos do guincho digital com uma escova suave, água morna e uma solução de sabão suave. Certifique-se de que as peças foram lavadas minuciosamente com água limpa.

**6.2 ASSISTÊNCIA:** Apenas a 3M ou terceiros com autorização escrita pela 3M podem efetuar reparações neste equipamento. Se o guincho digital tiver sido sujeito a quedas ou se a inspeção revelar condições perigosas ou defeituosas, retire o sistema de serviço e contacte a 3M relativamente à substituição ou reparação.

**6.3 ARMAZENAMENTO E TRANSPORTE:** Quando não estiver a ser utilizado, armazene e transporte o guincho e o equipamento antiqueda associado num ambiente limpo, seco e fresco, afastado da luz solar direta. Evite áreas onde possam existir vapores químicos. Inspeccione minuciosamente os componentes após armazenamento prolongado.

#### 7.0 ETIQUETAS E MARCAÇÕES

A figura 16 ilustra as etiquetas no guincho digital. As etiquetas devem ser substituídas se não forem completamente legíveis. As informações fornecidas em cada etiqueta são as seguintes:

Ⓐ	 Ler todas as instruções. 1) Ano e mês de fabrico 2) Número de lote 3) Número do modelo 4) Dimensões
Ⓑ	10.000 ciclos
Ⓒ	Rótulo de instrução do guincho digital

**Tabela 2 – Registo de inspeções e manutenções**

<b>Data da inspeção:</b>		<b>Inspeccionado por:</b>	
<b>Componentes:</b>	<b>Inspeção:</b> (Consulte a Secção 5 para mais informações sobre a <i>Frequência de inspeções</i> )	<b>Utilizador</b>	<b>Pessoa competente<sup>1</sup></b>
Guincho digital (figura 2)	Inspeccione todos os parafusos e porcas. Certifique-se de que se encontram devidamente encaixados e apertados. Verifique se existem quaisquer cavilhas, porcas ou outras peças em falta, ou se foram substituídos ou alterados de qualquer maneira. Inspeccione proteções e compartimentos. Certifique-se de que não apresentam fissuras, dobras, corrosão ou outros danos.	<input type="checkbox"/>	<input type="checkbox"/>
Etiquetas (Figura 15)	Confirme se todas as etiquetas estão bem fixadas e legíveis.	<input type="checkbox"/>	<input type="checkbox"/>
Equipamento de proteção contra quedas	O equipamento de proteção contra quedas adicional utilizado com o produto deve ser instalado e inspeccionado de acordo com as instruções do fabricante.	<input type="checkbox"/>	<input type="checkbox"/>
Parafusos do manípulo da manivela	O braço do manípulo da manivela removível deve bloquear de forma satisfatória em cada um dos cubos de acionamento e estar livre de fissuras, curvas ou outros danos. Verifique se cada manípulo no braço da manivela está apertado. Utilize Loctite262 ou um bloqueio de rosca equivalente nos parafusos de ancoragem, se necessário, para os manter apertados. Não utilize a menos que o braço da manivela esteja totalmente funcional.	<input type="checkbox"/>	<input type="checkbox"/>
Gancho de ligação	O gancho de ligação não deve estar danificado, partido, distorcido nem apresentar quaisquer arestas aguçadas, rebarbas, fendas, peças desgastadas ou corrosão. Certifique-se de que o gancho de ligação funciona corretamente. A lingueta dos ganchos deve mover-se livremente e ficar bloqueada ao fechar. O gancho deve rodar livremente.	<input type="checkbox"/>	<input type="checkbox"/>
Indicação de desgaste do travão (figura 11A)	Inspeccione o indicador de desgaste do travão localizado no centro do cubo de acionamento 4:1. Se o indicador estiver na secção vermelha, retire o guincho de serviço e devolva-o à 3M ou a um serviço autorizado do centro de reparação.	<input type="checkbox"/>	<input type="checkbox"/>
Contador digital (figura 11B)	Se o contador digital exceder os 10.000 ciclos do último serviço de fábrica registado no registo de inspeção, devolva o guincho à 3M ou a um centro de reparação autorizado para manutenção.	<input type="checkbox"/>	<input type="checkbox"/>
Falhas na corda	Inspeccione todo o comprimento de montagem do cabo a partir do gancho. Utilize sempre luvas de proteção quando inspeccionar o cabo. Inspeccione os fios partidos, passando o cabo pelas mãos com luvas, fletindo-o a cada poucas polegadas para expor as quebras. Inspeccione quanto a dobras, cortes, áreas queimadas esmagadas, corrosão ou outros danos. O cabo com danos graves deve ser removido de serviço.	<input type="checkbox"/>	<input type="checkbox"/>
Corda sintética	Inspeccione quanto a desgaste concentrado, fios desfiados, fios partidos, cortes e abrasões. A linha não deve apresentar nós, sujidade excessiva, acumulação de tinta e manchas de ferrugem por todo o seu comprimento. A linha deve estar livre de danos causados por raios ultravioleta, indicados por descoloração e pela presença de borbotos e fibras soltas na superfície da corda. Todos os fatores acima são conhecidos por reduzir a resistência da corda. A corda danificada ou questionável deve ser substituída por um centro de serviço autorizado.	<input type="checkbox"/>	<input type="checkbox"/>
Corda	Verifique se a corda está totalmente sentada no tambor, levantando e baixando uma carga de pelo menos 100 lb. (35 kg). Se a corda escorregar durante esta operação, aplique tensão na extremidade livre da corda enquanto levanta a carga até que o deslize seja eliminado.	<input type="checkbox"/>	<input type="checkbox"/>

**1 pessoa competente:** uma pessoa que seja capaz de identificar os perigos existentes e previsíveis no espaço circundante ou as condições de trabalho que sejam pouco higiénicas ou perigosas para os colaboradores e que tenha autorização para tomar medidas de correção de imediato para eliminá-los, deve fazê-lo de imediato.



# INFORMAÇÕES DE SEGURANÇA

Leia, compreenda e siga todas as informações de segurança contidas nestas instruções antes de usar este dispositivo de entrada/resgate em espaço confinado. O NÃO CUMPRIMENTO DESTAS EXIGÊNCIAS PODERÁ CAUSAR FERIMENTOS GRAVES OU MORTE.

Estas instruções deverão ser fornecidas ao usuário deste equipamento. Guarde estas instruções para referência futura.

## Utilização prevista:

O dispositivo de entrada/resgate em espaço confinado destina-se ao uso como parte de um sistema individual completo de proteção contra queda ou sistema de resgate.

O uso em outra aplicação, incluindo, entre outros usos, manuseio não aprovado de materiais, atividades recreativas ou relacionadas ao esporte ou outras atividades não descritas nas instruções de uso ou de instalação, não é aprovado pela 3M e pode resultar em lesão grave ou morte.

Este dispositivo só deve ser usado por usuários treinados em aplicações no local de trabalho.

## AVISO

O dispositivo de entrada/resgate em espaço confinado faz parte de um sistema individual de proteção contra queda ou sistema de resgate. Espera-se que todos os usuários sejam treinados integralmente quanto à instalação e à operação segura do sistema completo. **O uso indevido deste dispositivo pode resultar em lesão grave ou morte.** Para obter informações sobre a seleção, operação, instalação, manutenção e serviço adequados, consulte as instruções de todos os produtos e todas as recomendações do fabricante, consulte o seu supervisor ou entre em contato com o suporte técnico da 3M.

- **Para reduzir os riscos associados ao trabalho com o dispositivo de entrada/resgate em espaço confinado que, se não forem evitados, poderão resultar em lesão grave ou morte, siga estas orientações:**
  - Inspeccione o dispositivo antes de cada uso, pelo menos anualmente, e depois de qualquer evento de queda. Inspeccione de acordo com as instruções de uso.
  - Se a inspeção revelar condição insegura ou defeito, retire o dispositivo de serviço e repare-o ou substitua-o conforme as instruções de uso.
  - Qualquer dispositivo que tiver sido submetido a retenção de queda ou forças de impacto deverá ser retirado imediatamente de serviço. Consulte as instruções de uso ou entre em contato com a 3M Fall Protection.
  - O dispositivo deve ser instalado somente da maneira detalhada nas instruções de instalação ou nas instruções de uso. Instalações e uso fora do escopo da instrução devem ser aprovados por escrito pela 3M Fall Protection.
  - O substrato ou a estrutura à qual o dispositivo está conectado deve ser capaz de sustentar as cargas estáticas especificadas para o dispositivo nas orientações permitidas nas instruções de uso ou instruções de instalação.
  - Nunca exceda o número de usuários permitidos.
  - Nunca trabalhe abaixo de uma carga ou trabalhador suspenso.
  - Tenha cuidado ao instalar, usar e movimentar o dispositivo, já que peças móveis poderão gerar possíveis pontos de compressão. Consulte as instruções de uso.
  - Certifique-se de que os procedimentos adequados de bloqueio/sinalização tenham sido seguidos conforme aplicável.
  - Nunca se prenda a um sistema até que ele esteja posicionado, totalmente montado, ajustado e instalado. Não ajuste o sistema enquanto um usuário estiver preso a ele.
  - Apenas prenda subsistemas de proteção antiqueda ao ponto do conector de ancoragem designado no dispositivo.
  - Antes de perfurar ou fixar, certifique-se de que não haja contato da broca ou do dispositivo com nenhuma linha elétrica, linha de gás ou sistemas integrados críticos.
  - Garanta que os sistemas/subsistemas de proteção contra queda montados com componentes de fabricantes diferentes sejam compatíveis e atendam aos requisitos das normas apropriadas, inclusive a ANSI Z359 ou outros códigos, normas ou requisitos de proteção contra queda. Consulte sempre uma pessoa qualificada ou competente antes de utilizar estes sistemas.
- **Para reduzir os riscos associados ao trabalho em altura que, se não forem evitados, poderão resultar em lesão grave ou morte:**
  - Certifique-se de que sua condição de saúde e física permita que você suporte com segurança todas as forças associadas ao trabalho em altura. Consulte seu médico se tiver dúvidas sobre sua capacidade de usar este equipamento.
  - Nunca exceda a capacidade permitida de seu equipamento de proteção contra queda.
  - Nunca exceda a distância de queda livre máxima de seu equipamento de proteção contra queda.
  - Não utilize equipamentos de proteção contra queda que não passem em inspeções antes do uso ou outras inspeções agendadas ou se tiver preocupações sobre o uso ou a adequação do equipamento à sua aplicação. Entre em contato com o suporte técnico da 3M se tiver dúvidas.
  - Algumas combinações de subsistemas e componentes podem interferir na operação deste equipamento. Utilize apenas conexões compatíveis. Consulte a 3M antes de usar este equipamento em combinação com componentes ou subsistemas além daqueles descritos nas instruções de uso.
  - Tome precauções extras ao trabalhar nas proximidades de maquinário em movimento (por exemplo, na parte superior das plataformas de petróleo), com riscos elétricos, temperaturas extremas, riscos químicos, gases explosivos ou tóxicos, bordas cortantes ou abaixo de materiais suspensos que possam cair em você ou no equipamento de proteção contra queda.
  - Use dispositivos apropriados para arco elétrico ou trabalhos a quente ao trabalhar em ambientes de calor elevado.
  - Evite superfícies e objetos que possam prejudicar o usuário ou danificar o equipamento.
  - Certifique-se de que há zona livre de queda adequada quando trabalhar em alturas.
  - Nunca modifique ou altere seu equipamento de proteção contra queda. Somente a 3M ou pessoas autorizadas por escrito pela 3M podem fazer reparos no equipamento.
  - Antes de usar o equipamento de proteção contra queda, certifique-se de que um plano de resgate esteja em vigor, que permita o resgate imediato se um incidente de queda ocorrer.
  - Se ocorrer um incidente de queda, busque imediatamente o atendimento médico ao trabalhador que caiu.
  - Não use um cinturão abdominal em aplicações de retenção de queda/detenção de queda. Use apenas um cinturão tipo paraquedista.
  - Para minimizar quedas pendulares, trabalhe o mais próximo possível da área abaixo do ponto de ancoragem.
  - Se treinar com esse dispositivo, um sistema de proteção contra queda secundário deve ser utilizado de maneira que não exponha o aprendiz a um risco de queda não intencional.
  - Sempre utilize equipamento de proteção individual adequado quando for instalar, usar ou inspecionar o dispositivo/sistema.

Antes de instalar e usar este equipamento, registre as informações de identificação do produto que constam na etiqueta de identificação no Registro de inspeção e manutenção, na parte de trás deste manual.

Sempre verifique se está usando a versão mais recente do manual de instruções da 3M. Visite o site da 3M ou entre em contato com o atendimento técnico da 3M para obter manuais de instruções atualizados.

## DESCRIÇÃO DO PRODUTO:

A Figura 1 ilustra o guincho da Série Digital da DBI-SALA™ 3M™. Os guinchos da Série Digital são usados para posicionamento de trabalho, movimentação de pessoal, manipulação de material, proteção para escaladas ou resgate e evacuação. Esses modelos de guincho devem ser usados com tripés de proteção contra quedas da 3M, turco ou outra estrutura de suporte, e podem ser usados em situações em que o pessoal ou materiais necessitem ser erguidos ou abaixados até 290 pés (88 m). A Figura 2 ilustra os componentes do guincho digital e do guincho de alimentação contínua.

**A. Dispositivo de posicionamento:** as aplicações incluem a suspensão de um funcionário em um assento de trabalho ou cinturão tipo paraquedista. Um sistema de retenção de queda de backup deve estar acoplado ao funcionário suspenso.

**B. Movimentação de pessoal:** na altura de trabalho, o trabalhador não é mais sustentado pelo guincho. Um sistema de retenção de queda de backup deve estar acoplado ao funcionário durante a movimentação do guincho.

**C. Resgate e evacuação:** usado para levantar ou baixar um trabalhador em perigo ou ferido ou pessoal de resgate. As aplicações incluem a entrada em espaços confinados de trabalho com ou sem permissão. Em situações de resgate ou evacuação, use o sistema de retenção de queda de backup.

**D. Proteção para escaladas:** usa-se para proteger um trabalhador subindo ou descendo uma escada fixa ou estrutura similar. O uso desse guincho deve ficar restrito a estruturas em que outros meios de proteção para escalada, como sistemas de segurança de escada instalada permanentemente ou sistemas individuais de travamento de queda, forem inviáveis. Para essa aplicação, as seguintes condições devem ser atendidas:

- A escada ou os degraus devem estar em boas condições e permitir uma subida reta e contínua.
- O trabalhador que sobe a escada deve usar um cinturão tipo paraquedista e o cabo do guincho deve estar conectado à argola em D dorsal (parte traseira) do cinturão tipo paraquedista.
- O operador do guincho deve estar treinado e ser competente na operação do guincho.
- Nenhuma linha de folga deve ser criada na qual o trabalhador se mova para cima ou para baixo na escada.
- Os talabartes de absorção de energia devem ser conectados entre a argola em D dorsal do cinturão tipo paraquedista e a linha do guincho.

**Tabela 1 – Especificações**

Especificações do sistema:	
<b>Capacidade</b>	A carga nominal máxima para este produto é de uma pessoa com um peso máximo combinado (incluindo ferramentas, vestuário e equipamentos) de 450 lb (204 kg).
<b>Material da carcaça</b>	Alumínio fundido com acabamento de tinta em revestimento pulverizado.
<b>Material do cabo de segurança</b>	Aço inoxidável de 3/16 de polegada (5 mm) Aço inoxidável de 1/4 de polegada (6 mm) Aço galvanizado de 3/16 de polegada (5 mm) Corda Technora de 1/4 de polegada (6 mm) Corda Kernmantle de 1/2 polegada (12 mm)
<b>Requisitos de montagem (consulte a Figura 7)</b>	Configuração da mão direita (A): o cabo alimenta a parte inferior com uma carga dinâmica de 775 pés-lb (1.051 N*m) e 3.100 lb*f (14 kN) na direção de tração. Configuração da mão esquerda (B): o cabo alimenta a parte superior com uma carga dinâmica de 2.356 pés-lb (3.194 N*m) e 3.100 lb*f (14 kN) na direção de tração.

### Guincho Digital

Figura 2 Referência	Componente
(A)	Guincho
(B)	Cubo de tração primário. Razão de redução de 4:1
(C)	Cubo de tração secundário. Razão de redução de 9:1
(D)	Mola de retenção de cabo
(E)	Alça de transporte
(F)	Cubos de tração manual
(G)	Manivela removível
(H)	Placa de montagem universal

**Tabela 1 – Especificações**

<b>Guincho de alimentação contínua:</b>	
<b>Figura 2 Referência</b>	<b>Componente</b>
ⓐ	Alça de manivela removível
ⓑ	Polia superior
ⓒ	Espaçador
ⓓ	Roldana superior

**Dimensões (consulte a Figura 15)**

**A:** Guincho da Série 100, guincho de alimentação contínua (8514602)

**B:** Guincho da Série 200

**C:** Guincho da Série 300

<b>Série</b>	<b>Modelo</b>	<b>Comprimento do cabo de segurança</b>	<b>Tipo do cabo</b>	<b>Peso</b>
<b>A</b>	8518567	60 pés (18 m)	Aço galvanizado	30,5 lb (13,8 kg)
	8518565	60 pés (18 m)	Aço inoxidável	30,5 lb (13,8 kg)
	8518571	60 pés (18 m)	Corda Technora	27 lb (12,2 kg)
	8518560	60 pés (18 m)	Aço galvanizado	30,5 lb (13,8 kg)
	8518558	60 pés (18 m)	Aço inoxidável	30,5 lb (13,8 kg)
	8518564	60 pés (18 m)	Corda Technora	27 lb (12,2 kg)
	8518568	90 pés (27 m)	Aço galvanizado	32,5 lb (14,7 kg)
	8518566	90 pés (27 m)	Aço inoxidável	32,5 lb (14,7 kg)
	8518561	90 pés (27 m)	Aço galvanizado	32,5 lb (14,7 kg)
	8518559	90 pés (27 m)	Aço inoxidável	32,5 lb (14,7 kg)
<b>B</b>	8518588	140 pés (42 m)	Aço galvanizado	40 lb (18,4 kg)
	8518586	140 pés (42 m)	Aço inoxidável	40 lb (18,4 kg)
	8518581	140 pés (42 m)	Aço galvanizado	40 lb (18,4 kg)
	8518579	140 pés (42 m)	Aço inoxidável	40 lb (18,4 kg)
	8518589	190 pés (58 m)	Aço galvanizado	43 lb (19,4 kg)
	8518587	190 pés (58 m)	Aço inoxidável	43 lb (19,4 kg)
	8518582	190 pés (58 m)	Aço galvanizado	43 lb (19,4 kg)
	8518580	190 pés (58 m)	Aço inoxidável	43 lb (19,4 kg)
<b>C</b>	8518610	240 pés (73 m)	Aço galvanizado	50 lb (22,6 kg)
	8518608	240 pés (73 m)	Aço inoxidável	50 lb (22,6 kg)
	8518603	240 pés (73 m)	Aço galvanizado	50 lb (22,6 kg)
	8518601	240 pés (73 m)	Aço inoxidável	50 lb (22,6 kg)
	8518611	290 pés (88 m)	Aço galvanizado	53,5 lb (19,5 kg)
	8518609	290 pés (88 m)	Aço inoxidável	53,5 lb (19,5 kg)
	8518604	290 pés (88 m)	Aço galvanizado	53,5 lb (19,5 kg)
	8518602	290 pés (88 m)	Aço inoxidável	53,5 lb (19,5 kg)
<b>Guincho de alimentação contínua</b>	8514602	-----	Corda Kernmantle de 1/2 polegada (12 mm)	32,2 lb (14,6 kg)

**1 Capacidade:** 310 lb. (140 kg) é a faixa de capacidade exigida pela ANSI. Este produto foi testado a uma capacidade máxima de 450 lb. (204 kg) conforme normas da OSHA.

**2 Indivíduo qualificado:** uma pessoa com uma graduação reconhecida ou certificado profissional e uma grande experiência em proteção contra quedas. Essa pessoa deve ser capaz de projetar, analisar, avaliar e especificar na proteção contra quedas.

## 1.0 APLICAÇÃO DO PRODUTO

**1.1 FINALIDADE:** os guinchos 3M protegem os sistemas de retenção de queda 3M e permitem que estes sistemas sejam usados para outras aplicações. Os guinchos 3M são projetados para uso como parte de um Dispositivo de posicionamento ou Sistema de resgate. A Figura 1 mostra os modelos de guinchos contemplados por este manual de instruções. Dependendo do modelo do guincho, as aplicações do sistema também podem incluir a manipulação de material, movimentação de pessoal e escalada. Para mais informações sobre as aplicações do sistema, consulte a Tabela 1.

*Nunca use os guinchos 3M como dispositivos primários de retenção de queda em um Sistema de retenção de queda.*

- 1.2 NORMAS:** seu produto obedece às normas nacionais ou regionais identificadas na capa destas instruções. Se este produto for revendido fora do país original de destino, o revendedor deverá fornecer estas instruções na língua do país no qual o produto será usado.
- 1.3 SUPERVISÃO:** o uso deste equipamento deve ser supervisionado por uma pessoa competente<sup>1</sup>. A instalação deste equipamento deve ser supervisionada por um indivíduo qualificado<sup>2</sup>.
- 1.4 TREINAMENTO:** este equipamento deve ser instalado e utilizado por pessoas capacitadas para sua correta aplicação. Essas instruções devem ser usadas como parte de um programa de treinamento de funcionários, conforme exigido pelas normas nacionais, regionais ou locais. É responsabilidade dos usuários e dos instaladores deste equipamento garantir que estejam familiarizados com estas instruções, treinados para o cuidado e uso corretos e cientes das características operacionais, dos limites de aplicação e das consequências do uso indevido deste equipamento.
- 1.5 PLANO DE RESGATE:** ao usar este equipamento e subsistemas de conexão, o empregador deve contar com um plano de resgate por escrito e com os meios para executá-lo, bem como comunicá-lo a usuários<sup>3</sup>, pessoas autorizadas<sup>4</sup>, e socorristas<sup>5</sup>. É recomendável contar com uma equipe de resgate local e treinada. Os membros da equipe devem receber equipamentos necessários e treinamento em relação às técnicas necessárias para realizar um resgate bem-sucedido. Um treinamento periódico deve ser oferecido para garantir a competência do socorrista. Os socorristas devem receber estas instruções. Deve haver contato visual ou meios de comunicação com a pessoa que está sendo resgatada durante todo o processo de resgate.
- 1.6 ZONA LIVRE DE QUEDA:** Ao determinar a Zona livre de queda necessária para um Sistema de retenção de queda, cada componente do Sistema de retenção de queda deve ser levado em consideração. Deve haver uma Zona livre de queda suficiente para a retenção de uma queda antes que o usuário atinja o solo ou outro obstáculo. Para mais informações sobre o cálculo da Zona livre de queda, consulte as instruções do fabricante incluídas com seu subsistema de conexão.
- 1.7 QUEDAS PENDULARES:** As quedas pendulares ocorrem quando o ponto de ancoragem não está diretamente acima do ponto onde ocorre a queda (veja a Figura 4). A força ao atingir um objeto em uma queda pendular pode provocar lesões graves ou morte. Evite uma queda pendular se houver possibilidade de ocorrer lesões. Para minimizar quedas pendulares, trabalhe o mais próximo possível da área abaixo do ponto de ancoragem. A Zona livre de queda necessária (ZLQ) do usuário aumenta à medida que o Raio de trabalho do usuário (W) aumenta, pois a distância total da queda será maior do que se o usuário tivesse caído diretamente abaixo do ponto de ancoragem.
- 1.8 APÓS UMA QUEDA:** Se este equipamento for submetido à uma força de arrasto ou força de impacto, retire-o imediatamente de serviço. Sinalize de forma clara: "NÃO USE." Consulte a Seção 5 para mais informações.

## 2.0 REQUISITOS DO SISTEMA

- 2.1 ANCORAGEM:** Os requisitos de ancoragem variam de acordo com a aplicação de proteção contra quedas. A estrutura na qual o sistema está colocado ou montado deve atender às especificações de ancoragem definidas na Tabela 1.
- 2.2 CAPACIDADE:** A capacidade de usuário de um sistema de proteção contra quedas completo é limitada pelo seu componente com capacidade máxima nominal mais baixa. Por exemplo, se o seu subsistema de conexão tiver uma capacidade menor que o arnês, você deverá obedecer aos requisitos de capacidade do seu subsistema de conexão. Consulte as instruções do fabricante para cada componente do seu sistema para saber os requisitos de capacidade.
- 2.3 RISCOS AMBIENTAIS:** o uso deste equipamento em áreas com riscos ambientais pode exigir precauções adicionais para a prevenção de ferimentos ao usuário ou danos ao equipamento. Os riscos podem incluir, sem que estejam limitados a: calor extremo, produtos químicos, ambientes corrosivos, linhas de alta tensão, gases explosivos ou tóxicos, maquinário em movimento, bordas afiadas ou materiais suspensos que podem cair e atingir o usuário ou o equipamento. Entre em contato com os Serviços Técnicos da 3M para obter mais esclarecimentos.
- 2.4 PERIGOS DA LINHA DE VIDA:** garanta que a linha de vida permaneça livre de todos os perigos, incluindo, entre outros: emaranhados com usuários, outros trabalhadores, máquinas em movimento, outros objetos ao redor ou impacto de objetos aéreos que possam cair sobre a linha de vida ou usuários.
- 2.5 BORDAS AFIADAS:** evite usar este equipamento onde os componentes do sistema ficarão em contato ou rasparão contra bordas afiadas e superfícies abrasivas. Quando o contato for inevitável, todas as bordas afiadas e superfícies abrasivas devem ser cobertas com material de proteção.

**1 Pessoa competente:** *Indivíduo que seja capaz de identificar riscos existentes e previsíveis no ambiente ou condições de trabalho insalubres, arriscadas ou perigosas para os funcionários, e que tenha autorização para tomar medidas corretivas imediatas para eliminá-los.*

**2 Indivíduo qualificado:** *uma pessoa com um diploma, certificado ou posição profissional reconhecida, ou que, com amplo conhecimento, treinamento e experiência, demonstrou com êxito sua capacidade de resolver ou solucionar problemas relacionados a sistemas de proteção contra quedas e resgate, conforme exigido por regulamentos aplicáveis regionais, nacionais e locais.*

**3 Usuário:** *uma pessoa que realiza atividades enquanto protegida por um sistema de proteção contra queda.*

**4 Pessoa autorizada:** *um indivíduo designado pelo empregador para executar tarefas em um local onde estará exposto a um risco de queda*

**5 Socorrista:** *uma pessoa que usa o Sistema de resgate para realizar um resgate assistido.*



**2.6 COMPATIBILIDADE DO COMPONENTE:** O equipamento 3M foi projetado para uso apenas com componentes e subsistemas aprovados pela 3M. A substituição ou reposição por componentes ou subsistemas não aprovados pode comprometer a compatibilidade do equipamento e afetar a segurança e confiabilidade de todo o sistema.

**2.7 COMPATIBILIDADE DO CONECTOR:** os conectores serão considerados compatíveis com os elementos de conexão quando tiverem sido projetados para trabalhar em conjunto, de modo que seus tamanhos e formas não provoquem a abertura não intencional de seus mecanismos de trava, independentemente de como estejam orientados. Entre em contato com a 3M para esclarecer qualquer dúvida sobre compatibilidade.

Conectores (ganchos e mosquetões automáticos) devem ter a capacidade de suportar pelo menos 5.000 lbf (22,2 kN). Os conectores devem ser compatíveis com a ancoragem ou outros componentes do sistema. Não use equipamentos que não sejam compatíveis. Conectores não compatíveis podem se desengatar involuntariamente (consulte a Figura 5). Os conectores devem ser compatíveis em tamanho, formato e resistência. Se o elemento de conexão ao qual um gancho ou mosquetão automático estiver conectado for pequeno ou de formato irregular, poderá haver uma situação em que o elemento de conexão exerça uma força sobre a trava do mosquetão ou gancho automático (A). Essa força pode fazer com que o fecho se abra (B), permitindo que o gancho ou mosquetão automático se desconecte do ponto de conexão (C).

**2.8 COMO FAZER CONEXÕES:** os ganchos e mosquetões automáticos utilizados com este equipamento devem ser de engate automático. Certifique-se de que todas as conexões sejam compatíveis em tamanho, formato e resistência. Não use equipamentos que não sejam compatíveis. Certifique-se de que todos os conectores estejam completamente fechados e travados.

Os conectores da 3M (ganchos e mosquetões automáticos) são projetados para serem usados apenas conforme especificado nas instruções do usuário de cada produto. Consulte a Figura 6 para obter exemplos de conexões inadequadas. Não conecte ganchos ou mosquetões automáticos:

- A. a um anel em D à qual outro conector esteja engatado.
- B. de forma que se tenha carga sobre a trava. não se deve conectar ganchos automáticos de fio grande a argolas em D de tamanho padrão ou a objetos semelhantes, pois isso resultará em uma carga no fecho se o gancho ou a argola em D for torcida ou rotacionada, a menos que o gancho automático esteja equipado com um fecho de 16 kN (3.600 lbf). Consulte a marcação no seu gancho para verificar se ele é adequado para sua aplicação.
- C. Em um acoplamento falso, em que elementos que se projetam do mosquetão ou gancho automático ficam presos na ancoragem e, sem confirmação visual, parecem estar completamente acoplados ao ponto de ancoragem.
- D. Um ao outro.
- E. Diretamente ao tecido ou a tiras do talabarte de corda ou à autoconexão (a menos que as instruções do fabricante, tanto para o talabarte quanto para o conector, especificamente, permitam tal conexão).
- F. A qualquer objeto que tenha formato ou dimensões tais que o mosquetão ou gancho automático não feche e trave, ou em que possa haver um desengate involuntário (roll-out).
- G. De uma forma que não permita que o conector fique corretamente alinhado quando estiver sob carga.

### 3.0 INSTALAÇÃO

**3.1 PLANEJAMENTO:** planeje seu sistema de proteção contra quedas antes da instalação do guincho digital. Leve em conta todos os fatores que podem afetar sua segurança antes, durante e após uma queda. Considere todos os requisitos, limitações e especificações conforme definidos na Seção 2 e na Tabela 1.

### 3.2 INSTALAÇÃO DO GUINCHO NO TURCO OU TRIPÉ:

**INSTALAÇÃO DO GUINCHO:** Consulte a Figura 8.

Etapa 1: instale o guincho na estrutura de apoio inserindo a extremidade ranhurada do suporte de montagem rápida no pino fixo (A) do suporte de montagem.

Etapa 2: gire o guincho para cima para alinhar os furos nos suportes de montagem.

Etapa 3: insira o pino de retenção para travamento (B) através dos furos que fixam o guincho à estrutura de apoio.

**As polias direcionais do cabo de aço devem ter um diâmetro mínimo de rosca de 2,5 polegadas (6,4 cm).**

### 3.3 OPERAÇÃO DO GUINCHO:

**A. CONEXÃO DA LINHA DO GUINCHO À CARGA:** consulte a Figura 10. A: Linha do guincho; B: Talabarte do tipo Y; C: Cabo de segurança secundário; D: Argola em D de ombro; E: Argola em D dorsal; F: Adaptador de amarra; G: Carga de material. Para aplicações que não necessitam de um sistema individual de travamento de quedas secundário, a linha do guincho deve ser conectada à argola em D dorsal do cinturão tipo paraquedista do trabalhador. Para aplicações que precisam de um sistema pessoal de retenção de quedas secundário, a linha do guincho deve ser conectada a um talabarte tipo Y e presa às argolas em D do ombro do cinturão tipo paraquedista do trabalhador. O cabo de segurança secundário deve ser conectado à argola em D dorsal do cinturão tipo paraquedista. Para aplicações de manipulação de material, conecte a linha do guincho à carga usando uma fita cruzada ou outro dispositivo de ancoragem.

**B. OPERAÇÃO DO GUINCHO DIGITAL:** conecte o guincho à estrutura de suporte, conforme descrito na seção 3.4. Instale a alça da manivela do guincho no cubo de tração de 9:1 ou 4:1 e empurre-a firmemente até que a aba com mola da alça fique presa no lugar (a garra da alça deve ficar voltada para fora).

Para retirar a alça da manivela do cubo, empurre para baixo a aba com mola e puxe a alça do cubo.

Passe a linha para fora do tambor do guincho ao girar a alça da manivela para baixo (sentido anti-horário). Aplique uma tensão de aproximadamente 10 lbs. (4,5 kg) à linha enquanto a passa para fora do tambor. Guie a linha por cima do sistema de polia da estrutura de suporte. Consulte as instruções de estrutura de suporte ao usuário para direcionar o cabeamento.

**PARA IÇAR UMA CARGA:** gire a alça da manivela do guincho na direção de içamento (sentido horário). Para manter ou suspender momentaneamente a carga, pare de girar a manivela. O freio automático suportará a carga se a alça for liberada. Não ultrapasse a capacidade nominal de 450 lb. (204 kg).

**PARA ABAIXAR A CARGA:** gire a alça da manivela do guincho para baixo (sentido anti-horário). Ao baixar a linha sem carga, mantenha aproximadamente 10 lbs. (4,5 kg) de tensão na linha para auxiliar a reserva e evitar o entrelaçamento dos cabos.

**C. INDICADOR DE IMPACTO:** consulte a figura 11. A: Mosquetão automático normal, B: Mosquetão automático impactado, C: Faixa vermelha indicando a carga de impacto. o guincho digital é fornecido com um gancho giratório de conexão que inclui um indicador de impacto. Esse indicador funcionará se o guincho tiver uma carga de impacto grave ou se a capacidade de içamento ultrapassar o valor predefinido. Um gancho sujeito a uma carga de impacto exibirá uma faixa vermelha na área giratória.

**D. REMOÇÃO DO GUINCHO:** desconecte o cabo de segurança do cinturão tipo paraquedista do trabalhador ou da carga de materiais. Mantenha uma carga mínima de 10 lbs. (4,5 kg) no cabo de segurança, circundando o tambor. Retraia o cabo de segurança pela estrutura de suporte. Continue a enrolar o cabo de segurança no tambor até que as virolas de cobre e o buril entrem em contato com o tambor. Desconecte o guincho da estrutura de suporte.

**E. CUBO DA FURADEIRA (CONSULTE A FIGURA 9):** opcional 8512936 (A) pode ser acoplado para içar e baixar o usuário com uma furadeira (B) com drive de 1/2 polegada (12,7 mm) e uma broca máxima de 300 RPM. Consulte IFU 5903667 para mais detalhes.

**3.4 CONEXÃO DE CARGA:** puxe o mosquetão automático enquanto gira a alça em sentido anti-horário para estender o cabo de segurança até que haja linha suficiente para conexão confortável com o trabalhador ou a carga. Faça a conexão distante da entrada, para que não haja risco de queda do funcionário ou carga. Use as duas mãos para conectar o cabo de segurança; uma mão mantendo a tensão no cabo de segurança e a outra para pressionar o fecho e abrir o portão no mosquetão automático. Insira o gancho na argola em D do cinturão tipo paraquedista. Solte o portão e verifique se o mosquetão automático está bem travado na argola em D.

**3.5 INTEGRIDADE DO SISTEMA:** verifique a integridade da conexão e do sistema de suporte da seguinte forma:

**A.** Gire a alça do guincho para cima até que a linha esteja apertada o suficiente. O funcionário deve transferir lentamente seu peso para o cinturão tipo paraquedista e o cabo de segurança até que seja capaz de tirar ambos os pés do chão.

**B.** Certifique-se de que o guincho sustente o trabalhador em posição estacionária. Além disso, ajuste o cinturão tipo paraquedista nesse momento, evitando seu aperto, fricção ou amarração.

**Não use o guincho para içar ou baixar mais de uma pessoa ao mesmo tempo. A capacidade máxima de içamento é de 450 lbf (2,0 KN).**

**3.6 DESCIDA DE UM TRABALHADOR:** o atendente deve girar a alça do guincho em sentido anti-horário para liberar o cabo de segurança. O atendente deve usar luvas no cabo de segurança à medida que ele se estende para manter uma leve tensão no mesmo.

Se a linha ficar muito tensa ou frouxa durante o uso, converse com o funcionário suspenso para determinar se há algum problema. Corrija antes de prosseguir.

**Se a tensão da manivela diminuir durante o abaixamento, significa que a pessoa ou material sendo abaixado alcançou uma altura para trabalhar ou uma obstrução. Não continue a acionar a manivela sem se comunicar com a pessoa ou verificar o material sendo abaixado. Sempre mantenha uma tensão firme do cabo. O cabo frouxo pode provocar uma queda livre.**

Enquanto um trabalhador estiver suspenso, mantenha o ângulo do cabo de segurança a um máximo de 5 graus da vertical. O funcionário pode se ferir gravemente em uma queda pendular em ângulo maior de 5 graus. Se o trabalhador não for suspenso e não houver chance de queda, o atendente poderá liberar linha suficiente (máximo de 2 pés [0,6 m]) para que o trabalhador possa trabalhar confortavelmente. O atendente deve segurar a linha para manter sempre uma leve tensão sobre ela. Mantenha comunicação constante entre o trabalhador e o atendente.

**Os últimos 10 pés (3 m) do cabo de segurança apresentam um marcador vermelho e não devem ser desenrolados do tambor. Esse comprimento proporciona o envolvimento necessário ao redor do tambor para a ancoragem adequada do cabo de segurança, assegurando que o sentido da enrolação do cabo de segurança esteja correto. Pare de estender o cabo de segurança assim que avistar o marcador vermelho. O cabo de segurança deve enrolar no sentido do tambor ao girar a alça da manivela na direção de "içamento" somente (sentido anti-horário). Verifique periodicamente para ver se o cabo de segurança está enrolando uniformemente no tambor. Use luvas ao manusear o cabo de segurança.**

- 3.7 RETIRADA DO FUNCIONÁRIO:** converse com o funcionário ao se preparar para retirá-lo, mantendo a comunicação durante todo o procedimento. Coloque a alça da manivela no cubo de tração de 4:1 ou 9:1 conforme apropriado para manter a força de giro em um intervalo confortável. Retraia o cabo de segurança e retire o funcionário. Mantenha um ritmo constante de retirada. Se a carga de giro da alça do guincho aumentar subitamente, pare e investigue a causa. Determine a causa e corrija o problema antes de prosseguir. Quando fizer a retirada, ofereça suporte à carga ou ao trabalhador e desconecte o cabo de segurança.
- 3.8 FREIO DE INÉRCIA:** o guincho digital foi projetado com um freio constantemente acionado que manterá uma carga suspensa sempre que a alça da manivela for liberada. O freio é composto por três linguetas independentes. Todas as linguetas têm que estar inoperantes para que haja falha no freio primário. O guincho conta com um segundo freio de inércia em caso de falha no freio primário. Em caso de falha no freio primário, o guincho apresentaria queda livre até o acionamento do freio de inércia e parada do cabo. Não há desenrolamento de cabo superior a 3 pés (1 m) até que o freio de inércia seja acionado.
- 3.9 RETIRADA COM A MÃO ESQUERDA:** o guincho digital pode ser ajustado para uso com a mão esquerda. Para fazer o ajuste, retire a mola de retenção do cabo e conecte-a ao orifício na outra extremidade da placa de montagem utilizando as mesmas peças. Remova a alça de transporte retirando os dois parafusos de conexão com o guincho e a posicione na outra extremidade do guincho. Utilize um adesivo de travamento removível, como o Loctite 242, para prender todas as presilhas. O guincho agora ficará montado nos suportes de montagem com a alça do lado esquerdo do guincho.

**O cabo alimentará a parte superior do tambor na configuração de mão esquerda, alterando os requisitos de carga dinâmica. Veja a Tabela 1.**

- 3.10 INSTALAÇÃO DA CORDA:** o guincho de alimentação contínua pode acomodar corda Kernmantle com 1/2 polegada (12 mm) de diâmetro e comprimentos variados. Os procedimentos de instalação variarão dependendo de a corda terminar com um mosquetão automático em uma das extremidades.

**Depois de alimentar a corda no guincho de alimentação contínua, pode ser necessário aplicar tensão na extremidade livre da corda enquanto se levanta uma carga para assentar completamente a corda no tambor.**

**Sempre garanta que haja comprimento suficiente na corda para operar o guincho com segurança sem esgotar o comprimento da corda.**

**SEM MOSQUETÃO AUTOMÁTICO:** a corda sem mosquetão automático pode ser alimentada no guincho de alimentação contínua de qualquer extremidade, dependendo da quantidade de corda utilizada.

**INSTALAÇÃO DESDE O INÍCIO DA CORDA:** consulte a Figura 13.

Etapa 1: Prenda o guincho de alimentação contínua para ancoragem adequada (perna de tripé, turco etc.)

Etapa 2: Insira o início da corda sob o espaçador (13.1A) e entre o tambor e o rolo superior (13.1B).

Etapa 3: Guie suavemente a corda no guincho enquanto gira a alça da manivela no sentido anti-horário. Quando a corda passar pelo guincho (Figura 13.2), assegure-se de que a corda saia do guincho sobre o espaçador (13.2A) e sob a polia superior grande (13.2B). Pode ser necessário guiar a corda na frente da polia superior.

Etapa 4: Continue girando a alça e direcione a extremidade da corda sobre a polia do sistema do turco ou guia do cabo.

**INSTALAÇÃO DESDE A EXTREMIDADE DA CORDA:** consulte a Figura 14.

Etapa 1: Prenda o guincho de alimentação contínua para ancoragem adequada (perna de tripé, turco etc.)

Etapa 2: Insira a extremidade da corda sobre o espaçador (14.1A) e entre o tambor e a polia superior grande (14.1B).

Etapa 3: Guie suavemente a corda no guincho enquanto gira a alça da manivela no sentido anti-horário. Quando a corda passar pelo guincho (Figura 14.2), assegure-se de que a extremidade da corda saia do guincho sob o espaçador (14.2A) e na parte de cima do rolo superior (14.2B). Pode ser necessário guiar a corda na frente do espaçador (14.1A).

Etapa 4: Continue girando a alça da manivela até que a corda se estenda no rolo superior e fique pendurada a partir do guincho.

**3.12 INSTALAÇÃO DA CORDA COM UM MOSQUETÃO AUTOMÁTICO:** ao instalar uma corda terminada com um mosquetão automático em uma extremidade, a corda deve ser direcionada corretamente sobre qualquer estrutura de ancoragem (por exemplo, polia, rolo) e a extremidade não terminada deve ser alimentada através do guincho de alimentação contínua da mesma forma que para a "Instalação desde a extremidade da corda".

**3.13 TERMINAÇÃO DA CORDA:** a extremidade livre da corda deve ser fixada ou ter um nó amarrado nela para garantir que a extremidade livre da corda não passe através do guincho durante a operação.

## 4.0 USO

**4.1 ANTES DE CADA USO:** Verifique se a sua área de trabalho e o sistema de proteção contra quedas atendem a todos os critérios definidos nestas instruções. Verifique se um plano formal de resgate está em vigor. Inspecione o produto de acordo com os pontos de inspeção do "usuário" definidos no "Registro de inspeção e manutenção". Se a inspeção revelar uma condição insegura ou defeituosa, ou se houver alguma dúvida sobre sua condição para uso seguro, retire o produto de operação imediatamente. Sinalize de forma clara: "NÃO USE". Consulte a Seção 5 para mais informações.

## 5.0 INSPEÇÃO

**5.1 FREQUÊNCIA DA INSPEÇÃO:** O produto deve ser inspecionado pelo usuário antes de cada uso e também por indivíduo competente além do usuário, a intervalos não superiores a um ano. Uma frequência mais alta de uso do equipamento e condições mais severas podem exigir o aumento da frequência das inspeções por uma pessoa competente. A frequência dessas inspeções deve ser determinada pela pessoa competente de acordo com as condições específicas do local de trabalho.

**5.2 PROCEDIMENTOS DE INSPEÇÃO:** Inspeção este produto de acordo com os procedimentos listados no "Registro de Inspeção e Manutenção". A documentação de cada inspeção deve ser mantida pelo proprietário deste equipamento. Um registro de inspeção e manutenção deve ser colocado próximo ao produto ou estar em fácil acesso pelos usuários. Recomenda-se que o produto seja marcado com a data da próxima ou da última inspeção.

**A cada 10.000 ciclos ou 5 anos:** Recomenda-se que o serviço do guincho seja realizado por uma central de serviços autorizada pela fábrica ou pelo fabricante. Condições de trabalho extremas podem precisar de uma maior frequência de inspeção. Os serviços devem incluir, entre outros, uma inspeção e limpeza intensiva de todos os componentes internos e externos. A falha em fornecer os serviços adequados pode encurtar a vida útil do produto e prejudicar seu desempenho.

**5.3 DEFEITOS:** se a inspeção revelar uma condição insegura ou defeituosa, tire o guincho de operação imediatamente e entre em contato com a 3M para substituição ou reparo. Não tente reparar o Sistema de Retenção de Queda.

**Apenas reparos autorizados:** Somente a 3M ou pessoas autorizadas por escrito podem fazer reparos a este equipamento.

**5.4 VIDA ÚTIL DO PRODUTO:** A vida útil funcional do sistema de retenção de queda é determinada pelas condições de trabalho e manutenção. Desde que o produto seja aprovado pelos critérios de inspeção, ele poderá continuar em serviço.

## 6.0 MANUTENÇÃO, SERVIÇO e ARMAZENAMENTO


**6.1 LIMPEZA:** limpe periodicamente os componentes de metal do guincho digital com escova de cerdas macias, água morna e uma solução de sabão neutro. Certifique-se de que as peças sejam completamente enxaguadas com água limpa.

**6.2 MANUTENÇÃO:** somente a 3M ou pessoas autorizadas por escrito pela 3M podem fazer reparos neste equipamento. Se o guincho digital for submetido à força de queda ou se a inspeção revelar condições inseguras ou defeituosas, retire-o de operação e entre em contato com a 3M para substituição ou reparo.

**6.3 ARMAZENAMENTO E TRANSPORTE:** quando não estiver em uso, providencie o armazenamento e o transporte do guincho e do equipamento de proteção contra quedas associado em um ambiente frio, seco, limpo e fora da luz solar direta. Evite áreas onde possam existir vapores de produtos químicos. Inspeção cuidadosamente os componentes após o armazenamento prolongado.

## 7.0 ETIQUETAS E MARCAÇÕES

A Figura 16 ilustra as etiquetas do guincho digital. As etiquetas deverão ser substituídas se não estiverem perfeitamente legíveis. As informações fornecidas em cada etiqueta são as seguintes:

(A)	 Leia todas as instruções. 1) Ano e mês da fabricação 2) Número do lote 3) Número do modelo 4) Comprimento
(B)	10.000 Ciclos
(C)	Etiqueta de instruções do guincho digital

**Tabela 2 – Registro de Inspeção e Manutenção**

Data da inspeção:		Inspeccionado por:	
Componentes:	Inspeção: (Consulte a Seção 5 para saber a Frequência da Inspeção)	Usuário	Pessoa competente <sup>1</sup>
Guincho digital (Figura 2)	Inspeccione todos os parafusos e porcas. Certifique-se de que eles estejam firmemente presos e seguros. Verifique se há qualquer parafuso, porca ou outra peça ausente ou substituída ou alterada de qualquer maneira. Inspeccione as tampas protetoras e as estruturas externas. Verifique se não há rachaduras, amassados, corrosão ou outros danos.	<input type="checkbox"/>	<input type="checkbox"/>
Etiquetas (Figura 15)	Certifique-se de que todas as etiquetas estejam firmemente presas e sejam legíveis.	<input type="checkbox"/>	<input type="checkbox"/>
Equipamento de proteção contra quedas	Equipamentos adicionais de proteção contra quedas usados com o produto devem ser instalados e inspeccionados de acordo com as instruções do fabricante.	<input type="checkbox"/>	<input type="checkbox"/>
Parafusos da alça da manivela	A manivela removível deve travar firmemente em cada um dos cubos de tração e não deve apresentar rachaduras, amassados ou outros danos. Verifique se cada alça da manivela está apertada. Use adesivo de travamento Loctite 262 ou equivalente nos parafusos de ancoragem se for necessário mantê-los bem presos. Não use, a menos que a manivela esteja totalmente funcional.	<input type="checkbox"/>	<input type="checkbox"/>
Gancho de conexão	O gancho de conexão não pode estar danificado, quebrado, distorcido ou apresentar bordas afiadas, rebarbas, rachaduras, peças gastas ou corrosão. Certifique-se de que o gancho de conexão esteja funcionando corretamente. O fecho do gancho deve mover-se livremente e travar quando fechado. O gancho deve girar livremente.	<input type="checkbox"/>	<input type="checkbox"/>
Indicação de desgaste do freio (Figura 11A)	Inspeccione o indicador de desgaste do freio localizado no centro do cubo de tração 4:1. Se o indicador estiver na seção vermelha, retire o guincho de operação e devolva-o à 3M ou a uma central de serviço autorizada para reparo.	<input type="checkbox"/>	<input type="checkbox"/>
Contador digital (Figura 11B)	Se o contador digital exceder 10.000 ciclos desde o último serviço de fábrica registrado no controle de inspeção, devolva o guincho à 3M ou a uma central de serviço autorizada para reparo.	<input type="checkbox"/>	<input type="checkbox"/>
Falhas nos cabos de aço	inspeccione toda a extensão do conjunto do cabo de aço, iniciando no gancho. Use sempre luvas protetoras ao inspeccionar os cabos de aço. Verifique se há cabos partidos passando o cabo pelas mãos protegidas por luvas, flexionando-o em intervalos de alguns centímetros para expor quebras. Inspeccione se há torções, cortes, áreas queimadas e esmagadas, corrosão ou outros danos. Um cabo de aço com graves danos deve ser removido do serviço.	<input type="checkbox"/>	<input type="checkbox"/>
Corda sintética	Inspeccione para ver se há desgaste concentrado, cordões puídos, fios partidos, cortes e abrasões. A linha não deve apresentar nós, sujeira excessiva de terra, acúmulo de tinta ou manchas de ferrugem. A linha deve estar sem danos causados por raios ultravioleta, indicados por descoloração e a presença de lascas ou fibras soltas na superfície da corda. Todos os fatores acima são conhecidos por reduzir a resistência da corda. A corda danificada ou sob suspeita deve ser substituída por uma central de serviços autorizada.	<input type="checkbox"/>	<input type="checkbox"/>
Corda	Verifique se a corda está totalmente assentada no tambor, içando e baixando uma carga de pelo menos 100 lb. (35 kg). Se a corda escorregar durante esta operação, aplique tensão na extremidade livre da corda enquanto içar a carga até que o deslizamento seja eliminado.	<input type="checkbox"/>	<input type="checkbox"/>

**1 Indivíduo competente:** aquele capaz de identificar riscos existentes e previsíveis no ambiente ou condições de trabalho que sejam insalubres, arriscadas ou perigosas para os empregados e que tenha autorização de tomar medidas corretivas imediatas para eliminá-las.



# BEZPEČNOSTNÉ INFORMÁCIE

Pred použitím tohto zariadenia na vstup do stiesnených priestorov a výstup z nich si prečítajte všetky bezpečnostné informácie zahrnuté v týchto pokynoch, porozumejte im a dodržiavajte ich. V OPAČNOM PRÍPADE BY TO MOHLO SPÔSOBIŤ VÁŽNE ZRANENIE ALEBO SMRŤ.

Tieto pokyny musia byť dodané používateľovi tohto zariadenia. Ponechajte si tieto pokyny ako referenciu pre budúcnosť.

## Účel použitia:

Toto zariadenie na vstup do stiesnených priestorov a výstup z nich je určené na používanie ako súčasť komplexnej osobnej ochrany pri páde alebo ako záchranný systém.

Akékoľvek iné využívanie zariadenia, okrem iného aj vrátane neschválených aplikácií manipulácie s materiálom, rekreačných alebo iných činností súvisiacich so športom alebo iných činností, ktoré nie sú opísané v návode pre používateľa alebo pokynoch na inštaláciu, nie je schválené spoločnosťou 3M a mohlo by spôsobiť vážne zranenie alebo smrť.

Toto zariadenie sa má používať na pracovisku iba zaškolenými používateľmi.



## VAROVANIE

Toto zariadenie na vstup do stiesnených priestorov a výstup z nich je súčasťou osobnej ochrany pri páde alebo ako záchranný systém. Očakáva sa, že všetci používatelia budú plne zaškolení na bezpečnú inštaláciu a obsluhu kompletného systému. **Nesprávne použitie tohto zariadenia by mohlo spôsobiť vážne zranenie alebo smrť.** Ohľadom správneho výberu, obsluhy, inštalácie, údržby a servisu si pozrite všetky návody k výrobku vrátane všetkých odporúčaní výrobcu, navštívte kontrolóra alebo kontaktujte oddelenie technických služieb spoločnosti 3M.

- **Na zníženie rizík spojených so zariadením na vstup do stiesnených priestorov a výstup z nich, ktoré by mohli spôsobiť vážne zranenie alebo smrť, ak sa im nezabráni:**
  - pred každým použitím zariadenie skontrolujte, minimálne raz ročne a po každom prípade pádu. Skontrolujte ho v súlade s návodom pre používateľa.
  - ak kontrola odhalí nebezpečný alebo chybný stav, vyradte zariadenie z prevádzky a zabezpečte jeho opravu alebo výmenu v súlade s návodom na používanie;
  - akékoľvek zariadenie, ktoré bolo použité na zachytenie pádu alebo čelilo sile dopadu, je nutné okamžite prestať používať. Pozrite si návod pre používateľa alebo kontaktujte oddelenie služieb ochrany proti pádu spoločnosti 3M;
  - zariadenie sa smie inštalovať len tak, ako je opísané v návode na inštaláciu alebo návode pre používateľa. Inštaláciu a použitie inak, ako je uvedené v návode, musí písomnej schváliť oddelenie služieb ochrany proti pádu spoločnosti 3M;
  - Podlažie alebo konštrukcia, ku ktorým je zariadenie pripojené, musia zniesť statické zaťaženia uvedené pre zariadenie v orientáciách prípustných v návode pre používateľa alebo návode na inštaláciu;
  - neprekračujte stanovený maximálny počet používateľov;
  - nikdy nepracujte pod zaveseným nákladom alebo pracovníkom;
  - dávajte pozor pri inštalácii, používaní a pohybe zariadenia, pretože pohyblivé časti môžu vytvoriť možné body zovretia. Pozrite si návod pre používateľa;
  - dbajte na to, aby sa náležite dodržiavali správne postupy upevnenia/zavesenia;
  - nikdy sa neupevňujte k systému, pokiaľ nie je umiestnený, riadne namontovaný, upravený a nainštalovaný. Nikdy neupravujte systém, pokiaľ je k nemu upevnený používateľ;
  - podsystemy na ochranu proti pádu pripájajte len k určenému kotviacemu spojovaciemu bodu na zariadení;
  - pred vítaním alebo upevňovaním zabezpečte, aby sa do kontaktu s vrtákom alebo zariadením nedostali žiadne elektrické vedenia, plynové potrubia či iné kritické zapustené systémy;
  - zabezpečte, aby systémy/podsystemy na ochranu proti pádu zostavené zo súčastí vyrobených rôznymi výrobcami boli kompatibilné a splňali požiadavky príslušných noriem vrátane normy ANSI Z359 alebo iných príslušných predpisov, noriem alebo požiadaviek na ochranu proti pádu. Pred používaním týchto systémov sa vždy poradte s kompetentnou alebo kvalifikovanou osobou;
- **Na zníženie rizík spojených s prácou vo výškach, ktoré, ak sa nezabráni, by mohli spôsobiť vážne zranenie alebo smrť:**
  - zabezpečte, aby vám zdravotný a fyzický stav umožňoval bezpečne znášať všetky sily spojené s prácou vo výškach. Poradte sa so svojim lekárom, ak máte akékoľvek otázky ohľadom vašej schopnosti používať toto vybavenie;
  - nikdy neprekračujte povolenú kapacitu vášho ochranného vybavenia;
  - nikdy neprekračujte maximálnu voľnú vzdialenosť pádu vášho ochranného vybavenia proti pádu;
  - nepoužívajte žiadne ochranné vybavenie proti pádu, ktoré nezodpovedá kontrolám pred použitím alebo iným plánovaným kontrolám, alebo ak máte obavy ohľadom používania alebo vhodnosti vybavenia pre vašu aplikáciu. S akýmkoľvek otázkami sa obráťte na oddelenie technických služieb spoločnosti 3M;
  - niektoré kombinácie podsystemov a dielov nemusia ohrozovať funkčnosť tohto zariadenia. Používajte iba kompatibilné spojenia. Pri používaní tohto vybavenia v kombinácii s inými komponentmi alebo subsystemami, ktoré nie sú popísané v tomto návode pre používateľa, sa poradte so spoločnosťou 3M;
  - použite ďalšie predbežné opatrenia pri práci v okolí pohybujúcich sa strojov (napr. horného pohonu mazaných lán), elektrických rizík, extrémnych teplôt, chemických rizík, explozívnych alebo toxických plynov, ostrých hrán alebo pod zavesenými predmetmi, ktoré by mohli spadnúť na vás alebo vaše ochranné vybavenie proti pádu;
  - používajte prostriedky proti elektrickému oblúku (Arc Flash) alebo na „horúce práce“ (Hot Works) pri práci v prostredí s vysokými teplotami;
  - vyhýbajte sa povrchom alebo predmetom, ktoré môžu poškodiť používateľa alebo vybavenie;
  - pri práci vo výške zabezpečte, že budete mať priestor pre voľný pád;
  - nikdy neupravujte alebo nepozmeňujte svoje ochranné vybavenie proti pádu. Opravy tohto vybavenia môžu vykonávať iba pracovníci spoločnosti 3M alebo spoločnosťou 3M písomne poverené osoby;
  - pred použitím ochranného vybavenia proti pádu zabezpečte, aby bol na mieste plán záchranu, ktorý umožní okamžitú záchranu pri výskyte incidentu pádu;
  - ak sa vyskytne incident pádu, okamžite vyhľadajte lekársku pomoc pre pracovníka, ktorý spadol;
  - telový pás nepoužívajte pri aplikáciách s nebezpečenstvom voľného pádu. Používajte iba celotelové postroje;
  - minimalizujte riziko výkyvu pri páde tým, že budete pracovať čo najbližšie pod bodom ukotvenia;
  - pri zaškolení s týmto zariadením sa sekundárny systém ochrany proti pádu musí používať spôsobom, ktorý nevystaví školenú osobu neúmyselnému riziku pádu;
  - pri inštalácii, používaní alebo kontrole vybavenia/systému noste vždy náležité osobné ochranné prostriedky.

Pred inštaláciou alebo použitím tohto zariadenia zaznamenajte identifikačné informácie produktu z identifikačného štítku do záznamu o kontrole a údržbe na zadnej strane tohto návodu.

Vždy sa uistite, že používate najnovšiu verziu návodu na používanie od spoločnosti 3M. Ak chcete získať aktuálne návody na používanie, navštívte webové stránky spoločnosti 3M alebo sa obráťte na technickú podporu spoločnosti 3M.

## OPIS PRODUKTU:

Na obrázku 1 je znázornený navijak 3M™ DBI-SALA™ radu Digital. Navijaky radu Digital sa používajú na pracovné polohovanie, presun personálu, manipuláciu s materiálom, ochranu pri lezení, ako aj na záchranu a evakuáciu. Tieto modely navijakov sú určené na použitie so statívom 3M proti pádu, so žeriavovým ramenom alebo s inou nosnou konštrukciou a môžu sa použiť v situáciách, keď je potrebné zdvihnúť alebo spustiť personál alebo materiál až do výšky 88 m (290'). Na obrázku 2 sú znázornené súčasti digitálneho navijaka a navijaka s nepretržitým podávaním.

**A. Pracovné polohovanie:** Možno použiť na zavesenie pracovníka na pracovnom sedadle alebo postroji. Pracovník v závese musí byť istený záložným systémom na zachytenie pádu.

**B. Presun personálu:** V pracovnej výške už navijak pracovníka nijako neistí. Počas presunu pomocou navijaka musí byť pracovník istený záložným systémom na zachytenie pádu.

**C. Záchrana a evakuácia:** Používa sa na zdvíhanie alebo spúšťanie ohrozeného alebo zraneného pracovníka alebo záchraného personálu. Možno použiť aj pri prácach vyžadujúcich vstup do stiesnených priestorov (s povoleným aj nepovoleným vstupom). V prípade záchranu alebo evakuácie použite záložný systém na zachytenie pádu.

**D. Ochrana pri lezení:** Používa sa na ochranu pracovníka pri výstupe alebo zostupe po pevnom rebríku alebo podobnej konštrukcii. Používanie tohto navijaka by sa malo obmedziť len na konštrukcie, kde nie sú možné iné prostriedky ochrany pri lezení, ako sú trvalo nainštalované bezpečnostné systémy rebríkov alebo osobné systémy na zachytenie pádu. Pri takomto použití musia byť splnené nasledujúce podmienky:

- Rebrík alebo schody sú v dobrom stave a umožňujú priame a nepretržité stúpanie.
- Pracovník stúpajúci po rebríku má na sebe celotelový postroj a lano navijaka je pripojené k chrbtovému (zadnému) D-krúžku postroja.
- Obsluha navijaka je zaškolená a spôsobilá na prácu s navijakom.
- Pri pohybe pracovníka nahor alebo nadol po rebríku sa nesmie vytvoriť žiadna vôľa.
- Medzi chrbtový D-krúžok postroja a lano navijaka by mali byť pripojené spojovacie šnúry pohlcujúce energiu.

**Tabuľka 1 – Špecifikácie**

Špecifikácie systému:	
<b>Kapacita</b>	Maximálne pracovné zaťaženie tohto produktu je jedna osoba s maximálnou celkovou hmotnosťou (vrátane náradia, oblečenia a vybavenia) 204 kg (450 lb).
<b>Materiál puzdra</b>	Liaty hliník s práškovou farbou
<b>Materiál záchranného lana</b>	Nehrdzavejúca oceľ 5 mm (3/16") Nehrdzavejúca oceľ 6 mm (1/4") Pozinkovaná oceľ 5 mm (3/16") Lano Technora 6 mm (1/4") Lano Kernmantle 12 mm (1/2")
<b>Požiadavky na montáž (pozri obrázok 7)</b>	Konfigurácia pre pravú ruku (A): Lano sa napája zosponu s momentovým zaťažením 1 051 N*m (775 ft-lb) a v smere ťahu 14 kN (3 100 lb*f).  Konfigurácia pre ľavú ruku (B): Lano sa napája zhora s momentovým zaťažením 3 194 N*m (2 356 ft-lb) a v smere ťahu 14 kN (3 100 lb*f).

### Digitálny navijak

Popis obrázka 2	Komponent
(A)	Navijak
(B)	Hlavný hnací náboj – redukčný pomer 4 : 1
(C)	Vedľajší hnací náboj – redukčný pomer 9 : 1
(D)	Pružina pridržiavajúca lano
(E)	Rukoväť
(F)	Čapy manuálneho pohonu
(G)	Odnímateľné kľukové rameno
(H)	Univerzálna montážna doska



**Tabuľka 1 – Špecifikácie**

<b>Navijak s nepretržitým podávaním:</b>	
<b>Popis obrázka 2</b>	<b>Komponent</b>
Ⓝ	Odnímateľná kľuka
Ⓚ	Horná kladka
Ⓛ	Dištančný prvok
Ⓜ	Horný valček

**Rozmery (pozri obrázok 15)**

**A:** Navijak radu 100, navijak s nepretržitým podávaním (8514602)

**B:** Navijak radu 200

**C:** Navijak radu 300

<b>Rad</b>	<b>Model</b>	<b>Dĺžka záchranného lana</b>	<b>Typ lana</b>	<b>Hmotnosť</b>
<b>A</b>	8518567	18 m (60')	Pozinkovaná oceľ	13,8 kg (30,5 lb)
	8518565	18 m (60')	Nehrdzavejúca oceľ	13,8 kg (30,5 lb)
	8518571	18 m (60')	Lano Technora	12,2 kg (27 lb)
	8518560	18 m (60')	Pozinkovaná oceľ	13,8 kg (30,5 lb)
	8518558	18 m (60')	Nehrdzavejúca oceľ	13,8 kg (30,5 lb)
	8518564	18 m (60')	Lano Technora	12,2 kg (27 lb)
	8518568	27 m (90')	Pozinkovaná oceľ	14,7 kg (32,5 lb)
	8518566	27 m (90')	Nehrdzavejúca oceľ	14,7 kg (32,5 lb)
	8518561	27 m (90')	Pozinkovaná oceľ	14,7 kg (32,5 lb)
	8518559	27 m (90')	Nehrdzavejúca oceľ	14,7 kg (32,5 lb)
<b>B</b>	8518588	42 m (140')	Pozinkovaná oceľ	18,4 kg (40 lb)
	8518586	42 m (140')	Nehrdzavejúca oceľ	18,4 kg (40 lb)
	8518581	42 m (140')	Pozinkovaná oceľ	18,4 kg (40 lb)
	8518579	42 m (140')	Nehrdzavejúca oceľ	18,4 kg (40 lb)
	8518589	58 m (190')	Pozinkovaná oceľ	19,4 kg (43 lb)
	8518587	58 m (190')	Nehrdzavejúca oceľ	19,4 kg (43 lb)
	8518582	58 m (190')	Pozinkovaná oceľ	19,4 kg (43 lb)
	8518580	58 m (190')	Nehrdzavejúca oceľ	19,4 kg (43 lb)
<b>C</b>	8518610	73 m (240')	Pozinkovaná oceľ	22,6 kg (50 lb)
	8518608	73 m (240')	Nehrdzavejúca oceľ	22,6 kg (50 lb)
	8518603	73 m (240')	Pozinkovaná oceľ	22,6 kg (50 lb)
	8518601	73 m (240')	Nehrdzavejúca oceľ	22,6 kg (50 lb)
	8518611	88 m (290')	Pozinkovaná oceľ	19,5 kg (53,5 lb)
	8518609	88 m (290')	Nehrdzavejúca oceľ	19,5 kg (53,5 lb)
	8518604	88 m (290')	Pozinkovaná oceľ	19,5 kg (53,5 lb)
	8518602	88 m (290')	Nehrdzavejúca oceľ	19,5 kg (53,5 lb)
<b>Navijak s nepretržitým podávaním</b>	8514602	-----	Lano Kernmantle 12 mm (1/2")	14,6 kg (32,2 lb)

**1 Nosnosť:** Norma ANSI požaduje nosnosť 140 kg (310 lb). Tento produkt bol testovaný podľa normy OSHA na maximálnu nosnosť 204 kg (450 lb).

**2 Kvalifikovaná osoba:** Osoba s uznávaným titulom alebo odborným certifikátom a bohatými skúsenosťami s ochranou pred pádom. Táto osoba musí byť schopná navrhnuť, analyzovať, vyhodnotiť a špecifikovať ochranu pred pádom.

## 1.0 POUŽITIE PRODUKTU

**1.1 ÚČEL:** Navijaky 3M sú určené na zaistovanie systémov 3M na zachytenie pádu a umožňujú ich použitie na iné účely. Navijaky 3M sú určené na použitie ako súčasť systému pracovného polohovania alebo záchranného systému. Modely navijaka, na ktoré sa vzťahuje tento návod na používanie, sú znázornené na obrázku 1. V závislosti od modelu navijaka môže využitie systému zahŕňať aj manipuláciu s materiálom, presun personálu a lezenie. Viac informácií o využití systému nájdete v tabuľke 1.

*Nikdy nepoužívajte navijaky 3M ako hlavné zariadenie na zachytenie pádu v systéme na zachytenie pádu.*

- 1.2 NORMY:** Výrobok vyhovuje vnútroštátnym a regionálnym norám, ktoré sú uvedené na prednom obale tohto návodu. Ak sa tento výrobok predáva mimo pôvodnej cieľovej krajiny, predávajúci musí poskytnúť tento návod v jazyku krajiny, v ktorej sa výrobok bude používať.
- 1.3 DOHĽAD:** Toto vybavenie sa smie používať iba pod dohľadom kompetentnej osoby.<sup>1</sup> Toto vybavenie sa smie inštalovať iba pod dohľadom kvalifikovanej osoby.<sup>2</sup>
- 1.4 ŠKOLENIE:** Toto vybavenie je určené na inštaláciu a použitie osobami vyškolenými v jeho správnom použití. Tento návod je určený na použitie v rámci školiaceho programu zamestnancov podľa požiadaviek vnútroštátnych, regionálnych alebo miestnych predpisov. Používatelia a montéri tohto vybavenia zodpovedajú za to, že sa s týmito pokynmi oboznámili, že sú vyškolení na správnu starostlivosť a používanie vybavenia, a že sú si vedomí prevádzkových vlastností, obmedzení používania a dôsledkov nesprávneho používania tohto vybavenia.
- 1.5 ZÁCHRANNÝ PLÁN:** Pri použití tohto vybavenia a pripojovaní subsystémov musí mať zamestnávateľ písomný záchranný plán a prostriedky na jeho zavedenie a musí s ním oboznámiť používateľov<sup>3</sup>, autorizované osoby<sup>4</sup> a záchranárov<sup>5</sup>. Odporúča sa mať na pracovisku vyškolený záchranný tím. Členovia tímu musia mať k dispozícii vybavenie a techniku potrebné na úspešnú záchranu. Je potrebné zabezpečiť pravidelné školenia, aby boli zaručené dokonalé znalosti záchranárov. Záchranári by mali dostať tento návod. Odporúčame udržiavať vizuálny kontakt alebo iný spôsob komunikácie so zachraňovanou osobou počas celého priebehu záchrany.
- 1.6 BEZPEČNÁ VÝŠKA UKOTVENIA:** Pri určovaní potrebnej bezpečnej výšky ukotvenia systému na zachytenie pádu je nutné brať do úvahy všetky súčasti systému na zachytenie pádu. Bezpečná výška ukotvenia musí byť pri ochrane proti pádu dostatočná na to, aby používateľ nenarazil na zem ani na inú prekážku. Ďalšie informácie o výpočte bezpečnej výšky ukotvenia pri páde nájdete v pokynoch výrobcu dodaných s pripojovacím subsystémom.
- 1.7 KYVADLOVÝ PÁD:** Ak nie je bod ukotvenia priamo nad miestom, kde dôjde k pádu, môže dôjsť ku kyvadlovému pádu (pozrite si obrázok 4). Sila nárazu pri kyvadlovom páde môže spôsobiť ťažké alebo smrteľné zranenie. Zabráňte kyvadlovému pádu, pokiaľ by mohol spôsobiť poranenie. Minimalizujte riziko kyvadlového pádu tým, že budete podľa možnosti pracovať v rovine pod bodom ukotvenia. Požadovaná bezpečná výška ukotvenia (FC) používateľa sa zvyšuje so zvyšujúcim sa pracovným rádiom používateľa (W), pretože celková vzdialenosť pádu bude väčšia, ako keby používateľ spadol priamo pod bod ukotvenia.
- 1.8 PO PÁDE:** Ak toto zariadenie zachytí pád alebo je vystavené nárazovému zaťaženiu, okamžite ho vyradte z prevádzky. Jasne ho označte textom „NEPOUŽÍVAŤ“. Viac informácií nájdete v časti 5.

## 2.0 SYSTÉMOVÉ POŽIADAVKY

- 2.1 UKOTVENIE:** Požiadavky na ukotvenie sa môžu líšiť v závislosti od aplikácie ochrany proti pádu. Konštrukcia, na ktorej bude zariadenie umiestnené alebo upevnené, musí spĺňať špecifikácie pre kotvenie stanovené v tabuľke 1.
- 2.2 NOSNOSŤ:** Nosnosť celého systému ochrany proti pádu je obmedzená súčasťou s najnižšou nosnosťou. Ak má napríklad pripojovací subsystém nosnosť menšiu ako váš postroj, musíte dodržať nosnosť pripojovacieho subsystému. Požiadavky týkajúce sa nosnosti nájdete v pokynoch výrobcu k jednotlivým komponentom vášho systému.
- 2.3 RIZIKOVÉ PROSTREDIA:** Používanie tohto zariadenia v priestoroch s rizikovým prostredím si môže vyžadovať ďalšie bezpečnostné opatrenia, aby sa predišlo nebezpečenstvu úrazu alebo poškodenia zariadenia. Nebezpečenstvá môžu zahŕňať okrem iného: veľké teplo, chemikálie, korozívne prostredia, vedenia vysokého napätia, výbušné alebo toxické plyny, pohybujúce sa stroje alebo materiály, ktoré môžu spadnúť a zasiahnuť používateľa alebo zariadenie. Ak potrebujete ďalšie objasnenie, obráťte sa na technické služby spoločnosti 3M.
- 2.4 NEBEZPEČENSTVÁ TÝKAJÚCE SA ZÁCHRANNÉHO LANA:** Chráňte záchranné lano pred všetkými nebezpečenstvami, ako napríklad: omotanie lana okolo používateľov, iných pracovníkov, pohybujúcich sa strojov, iných okolitých predmetov alebo nárazy predmetov nad hlavou, ktoré by mohli spadnúť na záchranné lano alebo používateľov.
- 2.5 OSTRÉ OKRAJE:** Nepoužívajte toto zariadenie na miestach, kde diely systému budú v kontakte s ostrými hranami a drsnými povrchmi alebo sa o ne budú odierať. Ak je kontakt nevyhnutný, všetky ostré hrany a drsné povrchy musia byť pokryté ochranným materiálom.

**1 Kompetentná osoba:** Osoba spôsobilá identifikovať súčasne a predvídateľné nebezpečenstvá pracovného prostredia alebo pracovné podmienky, ktoré sú nehygienické, nebezpečné alebo škodlivé pre zamestnancov, a ktorá má oprávnenie uskutočňovať okamžité nápravné opatrenia na ich odstránenie

**2 Kvalifikovaná osoba:** Osoba s uznávaným titulom, certifikátom alebo profesionálnym postavením alebo osoba, ktorá na základe rozsiahlych vedomostí, odbornej prípravy a praxe dostatočne preukázala schopnosť riešiť problémy týkajúce sa systémov ochrany proti pádu a záchranných systémov v miere požadovanej platnými vnútroštátnymi, regionálnymi a miestnymi predpismi.

**3 Používateľ:** Osoba, ktorá vykonáva činnosti, pri ktorých je chránená systémom ochrany proti pádu.

**4 Autorizovaná osoba:** Osoba poverená zamestnávateľom vykonávať úlohy na mieste, na ktorom bude táto osoba vystavená nebezpečenstvu pádu.

**5 Záchranár:** Osoba, ktorá pomocou záchranného systému vykonáva asistovanú záchranu.

**2.6 KOMPATIBILITA ČASTÍ VYBAVENIA:** Vybavenie od spoločnosti 3M je navrhnuté len na použitie so súčasťami a podsystémami schválenými spoločnosťou 3M. Výmena alebo náhrada za neschválené diely alebo podsystémy môže ohroziť kompatibilitu vybavenia a znížiť bezpečnosť a spoľahlivosť celého systému.

**2.7 KOMPATIBILITA KONEKTOROV:** Konektory sa považujú za kompatibilné so spojovacími prvkami, keď boli navrhnuté tak, aby spolupracovali takým spôsobom, že ich rozmery a tvary nespôsobujú neúmyselné otvorenie ich mechanizmov uzáveru bez ohľadu na to, ako sú orientované. Ak máte akékoľvek otázky týkajúce sa kompatibility, obráťte sa na spoločnosť 3M.

Konektory (zaskakovacie háky a karabíny) musia byť schopné odolať sile najmenej 22,2 kN (5 000 lbf). Konektory musia byť kompatibilné s ukotvením a s inými komponentmi systému. Nepoužívajte vybavenie, ktoré nie je kompatibilné. Nekompatibilné konektory sa môžu neúmyselne odpojiť (pozrite si Obrázok 5). Konektory musia byť kompatibilné veľkosťou, tvarom a pevnosťou. Ak je spojovací prvok, ku ktorému sa pripája hák alebo karabína, poddimenzovaný alebo má nepravidelný tvar, môže nastať situácia, pri ktorej spojovací prvok vyvíja silu na uzáver háku alebo karabíny (A). Táto sila môže spôsobiť otvorenie uzáveru (B), čo umožní odpojenie háku alebo karabíny od spojovacieho prvku (C).

**2.8 PRIPÁJANIE:** Háky a karabíny používané s týmto zariadením musia byť samozamykacie. Skontrolujte, či sú všetky pripojenia kompatibilné veľkosťou, tvarom a pevnosťou. Nepoužívajte vybavenie, ktoré nie je kompatibilné. Uistite sa, že všetky konektory sú úplne zatvorené a zamknuté.

3M konektory (zaskakovacie háky a karabíny) sú navrhnuté na použitie len podľa špecifikácií, ktoré sú uvedené v návode na používanie každého výrobku. Pozrite si obrázok 6, kde nájdete príklady nesprávneho pripájania. Zaskakovacie háky a karabíny nepripájajte:

- A. K D-krúžku, ku ktorému je už pripojený iný konektor.
- B. Spôsobom, ktorý bude mať za následok zaťaženie uzáveru. Zaskakovacie háky s veľkým otvorom by sa nemali pripájať k D-krúžkom štandardnej veľkosti ani k podobným predmetom, ktoré by spôsobili zaťaženie otvoru, ak sa hák alebo D-krúžok skrúti alebo otočí, pokiaľ nie je zaskakovací hák vybavený otvorom na zaťaženie 16 kN (3 600 lbf). Skontrolujte značenie na zaskakovacom háku, aby ste overili, či je vhodný pre vaše použitie.
- C. Falošným zapojením, kde prvky vyčnievajúce z háku alebo karabíny sa zachytávajú o upevňovací bod a bez vizuálneho potvrdenia sa zdá, že sú plne pripojené k upevňovaciemu bodu.
- D. Jeden k druhému.
- E. Priamo ku tkanine, lanu alebo spätnému previazaniu (pokiaľ pokyny výrobcu pre lano i konektor vyslovene nepovoľujú takýto spôsob spojenia).
- F. K akémukoľvek predmetu, ktorý má tvar alebo rozmery, ktoré neumožňujú zatvorenie a zamknutie háku alebo karabíny, alebo môžu spôsobiť uvoľnenie.
- G. Spôsobom, ktorý neumožňuje správne zarovnanie konektora, keď je pod zaťažením.

### 3.0 INŠTALÁCIA

**3.1 PLÁNOVANIE:** Pred inštaláciou digitálneho navijaka si naprojektujte svoj systém ochrany proti pádu. Zohľadnite všetky faktory, ktoré môžu ovplyvniť vašu bezpečnosť pred pádom, počas pádu i po ňom. Zvážte všetky požiadavky, obmedzenia a špecifikácie uvedené v časti 2 a tabuľke 1.

### 3.2 INŠTALÁCIA NAVIJAKA NA ŽERIAVOVÉ RAMENO ALEBO STATÍV:

**INŠTALÁCIA NAVIJAKA:** Pozri obrázok 8.

Krok 1: Pri inštalácii navijaka na nosnú konštrukciu zasuňte koniec rýchloupínacej konzoly s drážkou na pevný kolík (A) na montážnej konzole.

Krok 2: Otočte navijak nahor a zarovnajte otvory v montážnych konzolách.

Krok 3: Vložením aretačného kolíka (B) do otvorov upevnite navijak k nosnej konštrukcii.

**Smerové kladky na oceľové lano musia mať priemer aspoň 6,4 cm (2,5").**

### 3.3 POUŽÍVANIE NAVIJAKA:

**A. PRIPOJENIE BREMENA K LANU NAVIJAKA:** Pozri obrázok 10. A: lano navijaka, B: lano v tvare Y, C: pomocné záchranné lano, D: ramenný D-krúžok, E: zadný D-krúžok, F: adaptér na podviazanie, G: bremeno. V prípadoch, keď nie je potrebný pomocný osobný systém na zachytenie pádu, pripojte lano navijaka k zadnému D-krúžku pracovníka. Keď sa používa pomocný osobný systém na zachytenie pádu, pripojte lano navijaka k lanu v tvare Y a toto lano pripevnite k ramenným D-krúžkom pracovníka. Pomocné záchranné lano pripojte k zadnému D-krúžku na postroji pracovníka. Pri manipulácii s materiálom pripojte lano navijaka k bremenu pomocou adaptéra na podviazanie alebo iného kotviaceho zariadenia.

**B. POUŽÍVANIE DIGITÁLNEHO NAVIJAKA:** Pripevnite navijak k nosnej konštrukcii, ako je popísané v časti 3.4. Nasadte kľuku navijaka na hnací náboj s pomerom 9 : 1 alebo 4 : 1 a pevne zatlačte dovnútra tak, aby pružinový jazýček na kľuke zacvakol (rukoväť kľuky by mala smerovať von).

Ak chcete kľuku z náboja odstrániť, stlačte pružinový jazýček nadol a snímte kľuku z náboja.

Odmotajte lano z bubna navijaka otáčaním kľuky v smere spúšťania (proti smeru hodinových ručičiek). Pri odmotávaní z bubna ťahajte lano silou zodpovedajúcou hmotnosti cca 4,5 kg (10 lb). Preveďte lano cez kladkový systém na nosnej konštrukcii. Informácie o vedení lana nájdete v pokynoch pre používateľov nosnej konštrukcie.

**ZDVÍHANIE BREMENA:** Otáčajte kľukou navijaka v smere zdvihu (v smere hodinových ručičiek). Ak chcete bremeno držať alebo na chvíľu zastaviť, prestaňte otáčať kľukou. Pri uvoľnení kľuky bremeno zadrží automatická brzda. Neprekračujte menovitú nosnosť 204 kg (450 lb).

**SPÚŠŤANIE BREMENA:** Otáčajte kľukou navijaka v smere spúšťania (proti smeru hodinových ručičiek). Pri spúšťaní lana bez bremena napínajte lano silou zodpovedajúcou hmotnosti cca 4,5 kg (10 lb), aby sa lepšie odvíjalo a nezamotalo.

**C. INDIKÁTOR NÁRAZU:** Pozri obrázok 11. A: zaskakovací hák v normálnom stave, B: zaskakovací hák po náraze, C: červený pás indikujúci nárazové zaťaženie. Digitálny navijak sa dodáva s pripojovacím otočným hákom, ktorý obsahuje indikátor nárazu. Tento indikátor sa aktivuje pri silnom nárazovom zaťažení navijaka alebo ak sa prekročí nosnosť navijaka o vopred nastavenú hodnotu. Na háku, ktorý bol vystavený nárazovému zaťaženiu, sa v oblasti obrtlika objaví červený pás.

**D. ODSTRÁNENIE NAVIJAKA:** Odpojte záchranné lano od postroja pracovníka alebo od bremena. Naviňte záchranné lano na bubon a počas navíjania udržiajte na ňom zaťaženie zodpovedajúce hmotnosti aspoň 4,5 kg (10 lb). Pretiahnite záchranné lano cez nosnú konštrukciu. Pokračujte v navíjaní záchranného lana na bubon, kým sa medené ochranné krúžky a koncovka nedotknú bubna. Snímte navijak z nosnej konštrukcie.

**E. NÁBOJ NA ELEKTRICKÝ POHON (POZRI OBRÁZOK 9):** Možno pripojiť aj voliteľný doplnok 8512936 (A) na zdvíhanie a spúšťanie používateľa pomocou vrtačky (B) s pohonom 1/2" (12,7 mm) a maximálnymi otáčkami vrtačky 300 ot./min. Viac podrobností nájdete v návode na používanie č. 5903667.

**3.4 PRIPNUTIE BREMENA:** Ťahaním za zaskakovací hák za otáčania kľuky proti smeru hodinových ručičiek odviňte takú dĺžku záchranného lana, aby ho bolo možné pohodlne pripnúť k pracovníkovi alebo bremenu. Úkon pripojenia vykonajte v bezpečnej vzdialenosti od otvoru, aby nehrozilo, že pracovník alebo bremeno spadne. Záchranné lano pripájajte obidvomi rukami; jednou rukou udržiavajte napnutie lana, druhou stlačte zámok a otvorte uzáver na zaskakovacom háku. Vložte hák do D-krúžku postroja. Pustite uzáver a skontrolujte, či je zaskakovací hák bezpečne zaistený v D-krúžku.

**3.5 INTEGRITA SYSTÉMU:** Nasledujúcim spôsobom skontrolujte integritu pripojenia a istiaceho systému:

**A.** Otáčajte kľukou navijaka v smere zdvihu, až kým sa lano nenapne. Pracovník by mal pomaly prenášať svoju váhu na postroj a záchranné lano, až kým nebude schopný zdvihnúť obe nohy zo zeme.

**B.** Uistite sa, že navijak drží pracovníka v nehybnej polohe. V tejto chvíli tiež upravte nastavenie postroja tak, aby nedošlo k privretiu, odretiu alebo uviaznutiu.

**Nepoužívajte navijak na zdvíhanie alebo spúšťanie viac ako jednej osoby. Maximálna nosnosť je 2,0 kN (450 lbf).**

**3.6 SPUSTENIE PRACOVNÍKA:** Obsluha kľukou navijaka proti smeru hodinových ručičiek odvíja záchranné lano. Obsluha by mala mať počas odvíjania na druhej ruke rukavicu a pridržať ňou záchranné lano, aby bolo mierne napnuté.

Ak sa lano počas používania náhle napne alebo uvoľní, oslovte pracovníka v závese a zistite, či sa nevyskytol problém. Pokračujte až po náprave prípadného problému.

**Ak sa pri spúšťaní ťah kľuky zvolní, osoba alebo materiál dosiahli pracovnú úroveň alebo narazili na prekážku. Nepokračujte v odvíjaní lana bez komunikácie s osobou alebo kontroly spúšťaného materiálu. Vždy udržiavajte lano napnuté. Uvoľnené lano by mohlo spôsobiť voľný pád.**

Kým je pracovník v závese, udržiavajte uhol záchranného lana maximálne 5 stupňov od zvislice. V prípade kyvadlového pádu s uhlom väčším ako 5° sa môže pracovník vážne zraniť. Ak pracovník nie je v závese a nie je pravdepodobné, že spadne, môže obsluha odvinúť určitú dĺžku lana [maximálne 0,6 m (2 ft)], aby pracovník mohol pohodlne pracovať. Obsluha by mala lano pridržiavať tak, aby vždy bolo mierne napnuté. Udržiavajte stálu komunikáciu medzi pracovníkom a obsluhou.

**Posledné 3 metre (10') záchranného lana sú označené červenou značkou a nemali by sa odvíjať z bubna. Táto dĺžka zabezpečuje minimálne potrebné navinutie a riadne ukotvenie záchranného lana na bubne a zaisťuje správny smer navíjania. Keď uvidíte červenú značku, prestaňte záchranné lano odvíjať. Záchranné lano sa smie navíjať na bubon len otáčaním kľuky v smere zdvíhu (proti smeru hodinových ručičiek). Pravidelne kontrolujte, či sa záchranné lano navíja na bubon rovnomerne. Pri manipulácii so záchranným lanom používajte rukavice.**

- 3.7 VYTIAHNUTIE PRACOVNÍKA:** Pri príprave na vytiahnutie s pracovníkom komunikujte a komunikáciu udržiavajte počas celého postupu. Nasadte kľuku podľa potreby na hnací náboj s pomerom 4 : 1 alebo 9 : 1, aby sa sila potrebná pri navíjaní pohybovala v pohodlnom rozmedzí. Navíňte záchranné lano a vytiahnite pracovníka. Udržiavajte rovnomernú rýchlosť navíjania. Ak sa lano začne náhle navíjať ťažšie, prestaňte navíjať a preskúmajte situáciu. Skôr ako budete pokračovať, zistite príčinu a napravte problém. Po vytiahnutí pracovníka alebo bremeno položte na pevnú plochu a odpojte záchranné lano.
- 3.8 ZOTRVAČNÁ BRZDA:** Digitálny navijak je navrhnutý s neustále aktívnou brzdou, ktorá vždy pri uvoľnení kľuky udrží zavesený náklad. Brzda je zložená z troch nezávislých západiek. Aby zlyhala hlavná brzda ako celok, museli by byť všetky tri západky nefunkčné. Pre prípad, že by hlavná brzda predsa zlyhala, má navijak aj druhú zotrvačnú brzdou. V prípade zlyhania hlavnej brzdou sa navijak roztočí, až kým sa nezatiahne druhá zotrvačná brzda, ktorá lano zastaví. Do zatiahnutia zotrvačnej brzdou sa uvoľní najviac 1 m (3') kábla.
- 3.9 VYTIAHNUTIE ĽAVOU RUKOU:** Digitálny navijak je možné nastaviť aj na navíjanie ľavou rukou. Odstráňte zadržiaciu pružinu lana a pomocou toho istého kusa ju pripevnite k otvoru na druhom konci montážnej dosky. Odstráňte rukoväť odmontovaním dvoch skrutiek, ktorými je pripevnená k navijaku, a namontujte ju na druhý koniec navijaka. Na zaistenie všetkých upevňovacích prvkov použite odstrániteľný zaisťovač skrutkových spojov, napríklad Loctite 242. Navijak sa teraz namontuje na montážne konzoly s kľukou na ľavej strane navijaka.

**Lano sa v konfigurácii pre ľavú ruku odvíja z hornej strany bubna, čím sa menia požiadavky na momentové zaťaženie. Pozri tabuľku 1.**

- 3.10 INŠTALÁCIA LANA:** Na navijak s nepretržitým podávaním je vhodné lano Kernmantle rôznych dĺžok s priemerom 12 mm (1/2"). Postupy inštalácie sa budú líšiť v závislosti od toho, či má lano na jednom konci zaskakovací hák.

**Po navinutí lana na navijak s nepretržitým podávaním môže byť potrebné voľný koniec lana napnúť zdvihnutím bremena, aby sa lano úplne usadilo v bubne.**

**Vždy sa uistite, či má lano dostatočnú dĺžku na bezpečné vykonanie všetkých úkonov, ktoré chcete s navijakom robiť.**

**BEZ ZASKAKOVACIEHO HÁKA:** Lano bez zaskakovacieho háka je možné navinúť na navijak s nepretržitým podávaním z oboch koncov v závislosti od množstva použitého lana:

**INŠTALÁCIA LANA OD ZAČIATKU:** Pozri obrázok 13.

Krok 1: Pripevnite navijak s nepretržitým podávaním na vhodné ukotvenie (noha statívu, žeriavové rameno atď.).

Krok 2: Začiatok lana zasuňte pod rozperu (13.1A) a medzi bubon a horný valček (13.1B).

Krok 3: Jemne vovedte lano do navijaka a otáčajte kľukou proti smeru hodinových ručičiek. Pri vedení lana navijakom (obrázok 13.2), dbajte, aby lano vychádzalo z navijaka ponad dištančný prvok (13.2A) a popod veľkú hornú kladku (13.2B). Môže byť potrebné viesť lano popred hornú kladku.

Krok 4: Pokračujte v otáčaní kľukou a koniec lana prevlečte cez kladku žeriavového systému alebo vodidlo lana.

**INŠTALÁCIA LANA OD KONCA:** Pozri obrázok 14.

Krok 1: Pripevnite navijak s nepretržitým podávaním na vhodné ukotvenie (noha statívu, žeriavové rameno atď.).

Krok 2: Koniec lana zasuňte nad dištančný prvok (14.1A) a medzi bubon a veľkú hornú kladku (14.1B).

Krok 3: Jemne vovedte lano do navijaka a otáčajte kľukou v smere hodinových ručičiek. Pri vedení lana navijakom (obrázok 14.2), dbajte, aby lano vychádzalo z navijaka popod dištančný prvok (14.2A) a ponad vrchnú stranu horného valčeka (14.2B). Môže byť potrebné viesť lano popred dištančný prvok (14.1A).

Krok 4: Pokračujte v otáčaní kľuky, kým sa lano nepretiahne cez horný valček a nevisí z navijaka.

**3.12 INŠTALÁCIA LANA SO ZASKAKOVACÍM HÁKOM:** Ak inštalujete lano ukončené na jednom konci zaskakovacím hákom, lano je potrebné správne previesť cez kotviacu konštrukciu (napr. kladku, valček) a nezakončeným koncom navinúť na navijak s nepretržitým podávaním rovnakým spôsobom ako v časti *Inštalácia lana od konca*.

**3.13 ZAKONČENIE LANA:** Voľný koniec lana musí byť zaistený alebo na ňom musí byť uviazaný uzol, aby sa zabezpečilo, že počas používania neprejde navijakom.

## 4.0 POUŽITIE

**4.1 PRED KAŽDÝM POUŽITÍM:** Overte si, či vaša pracovná oblasť a systém ochrany proti pádu spĺňajú všetky kritériá stanovené v tomto návode. Overte si, či je zavedený formálny záchranný plán. Skontrolujte produkt podľa kontrolných bodov „Používateľ“ stanovených v časti *Záznam o kontrole a údržbe*. Ak kontrola odhalí nebezpečný alebo chybný stav alebo ak by sa vyskytli pochybnosti o stave z hľadiska bezpečného použitia, okamžite vyradte produkt z prevádzky. Jasne ho označte textom „NEPOUŽÍVAŤ“. Viac informácií nájdete v časti 5.

## 5.0 KONTROLA

**5.1 INTERVAL KONTROLY:** Používateľ musí produkt kontrolovať pred každým použitím a aspoň raz za rok ho musí skontrolovať kompetentná osoba iná než používateľ. V prípade častejšieho používania zariadenia a jeho používania v náročnejších podmienkach môžu byť potrebné častejšie kontroly kompetentnou osobou. Interval týchto kontrol by mala určiť kompetentná osoba podľa konkrétnych podmienok pracoviska.

**5.2 POSTUPY KONTROLY:** Skontrolujte produkt podľa postupov uvedených v časti *Záznam o kontrole a údržbe*. Majiteľ tohto zariadenia by mal viesť dokumentáciu o každej kontrole. Záznam o kontrole a údržbe odporúčame odložiť v blízkosti produktu alebo na inom mieste ľahko dostupnom pre jeho používateľov. Odporúča sa na produkte vždy vyznačiť termín ďalšej alebo poslednej kontroly.

**Každých 10 000 cyklov alebo 5 rokov:** Odporúča sa servis navijaka v autorizovanom servisnom stredisku alebo u výrobcu. V prípade extrémnych pracovných podmienok môžu byť potrebné častejšie kontroly. Servis by mal zahŕňať okrem iného dôkladnú kontrolu a vyčistenie všetkých vnútorných a vonkajších súčastí. V prípade nezabezpečenia riadneho servisu sa môže skrátiť životnosť produktu a ohroziť jeho výkon.

**5.3 CHYBY:** Ak kontrola odhalí nebezpečný alebo chybný stav, navijak sa nesmie ďalej používať. Požiadajte spoločnosť 3M o jeho výmenu alebo opravu. Systém na zachytenie pádu sa nepokúšajte opraviť.

**Iba autorizované opravy:** Opravy tohto zariadenia môže vykonávať len spoločnosť 3M alebo strany, ktoré majú nato písomné oprávnenie.

**5.4 ŽIVOTNOSŤ PRODUKTU:** Funkčnú životnosť systému ochrany proti pádu určujú pracovné podmienky a údržba. Pokiaľ tento produkt splní kritériá kontroly, môže sa ďalej používať.

## 6.0 ÚDRŽBA, SERVIS A SKLADOVANIE


**6.1 ČISTENIE:** Pravidelne čistite kovové komponenty digitálneho navijaka mäkkou kefou, teplou vodou a miernym mydlovým roztokom. Všetky časti dôkladne opláchnite čistou vodou.

**6.2 SERVIS:** Opravy tohto zariadenia môže vykonávať len spoločnosť 3M alebo strany, ktoré majú písomné oprávnenie spoločnosti 3M na vykonávanie opráv tohto zariadenia. Ak bol digitálny navijak vystavený sile spôsobenej pádom alebo kontrola odhalila nebezpečný alebo chybný stav, vyradte systém z prevádzky a obráťte sa na spoločnosť 3M so žiadosťou o jeho výmenu alebo opravu.

**6.3 SKLADOVANIE A DOPRAVA:** Keď sa navijak a vybavenie na ochranu proti pádu nepoužíva, skladujte a prepravujte ich v chladnom, suchom a čistom prostredí mimo priameho slnečného žiarenia. Vyhýbajte sa priestorom s možnosťou výskytu chemických výparov. Po dlhom skladovaní dôkladne skontrolujte všetky komponenty.

## 7.0 ŠTÍTKY A OZNAČENIA

Obrázok 16 znázorňuje štítky na digitálnom navijaku. Pokiaľ nie sú štítky úplne čitateľné, musia sa vymeniť. Informácie, ktoré sú uvedené na každom štítku:

(A)	 Prečítajte si všetky pokyny. 1) Rok a mesiac výroby 2) Číslo šarže 3) Číslo modelu 4) Dĺžka
(B)	10 000 cyklov
(C)	Štítok s pokynmi pre digitálny navijak

**Tabuľka 2 – Záznam o kontrole a údržbe**

<b>Dátum kontroly:</b>		<b>Kontroloval/a:</b>	
<b>Komponenty:</b>	<b>Kontrola:</b> (Informácie o <i>intervaloch kontrol</i> nájdete v časti 5)	<b>Používateľ</b>	<b>Kompetentná osoba<sup>1</sup></b>
Digitálny navijak (obrázok 2)	Skontrolujte všetky skrutky a matice. Overte, či sú na správnom mieste a bezpečne utiahnuté. Skontrolujte, či žiadne skrutky, matice alebo iné časti nechýbajú alebo či neboli nijakým spôsobom vymenené alebo upravené. Skontrolujte kryty a puzdrá. Uistite sa, či nemajú žiadne praskliny, preliačenia, známky korózie či iného poškodenia.	<input type="checkbox"/>	<input type="checkbox"/>
Štítky (obrázok 15)	Skontrolujte, či sú všetky štítky spoľahlivo pripevnené a čitateľné.	<input type="checkbox"/>	<input type="checkbox"/>
Vybavenie na ochranu proti pádu	Doplňujúce vybavenie na ochranu proti pádu, ktoré sa použije spolu s výrobkom sa musí nainštalovať a skontrolovať podľa pokynov výrobcu.	<input type="checkbox"/>	<input type="checkbox"/>
Skrutky kľuky	Odnímateľné rameno kľuky musí správne pasovať do obidvoch hnacích nábojov a nesmie byť prasknuté, ohnuté ani inak poškodené. Skontrolujte, či sú obidve rukoväti na ramene kľuky pevne utiahnuté. Ak je to potrebné, na kotviace skrutky aplikujte zaisťovač skrutkových spojov Loctite 262 alebo iný s rovnakými špecifikáciami, aby sa časom neuvolnili. Nepoužívajte zariadenie, pokiaľ nie je rameno kľuky plne funkčné.	<input type="checkbox"/>	<input type="checkbox"/>
Pripojovací hák	Pripojovací hák nesmie byť poškodený, zlomený ani zdeformovaný a nesmie obsahovať žiadne ostré hrany, drsné okraje, trhliny, opotrebované časti ani hrdzu. Skontrolujte, či spojovací hák funguje správne. Uzáver háka sa musí voľne pohybovať a po zatvorení sa musí zaistiť. Hák sa musí voľne otáčať.	<input type="checkbox"/>	<input type="checkbox"/>
Indikácia opotrebovania brzdy (obrázok 11A)	Skontrolujte indikátor opotrebovania brzdy umiestnený v strede hnacieho náboja 4 : 1. Ak je indikátor v červenej časti, vyradte navijak z prevádzky a vráťte ho do spoločnosti 3M alebo do autorizovaného servisu.	<input type="checkbox"/>	<input type="checkbox"/>
Digitálne počítadlo (obrázok 11B)	Ak digitálne počítadlo prekročí 10 000 cyklov od posledného servisu zaznamenaného v zázname o kontrole a údržbe, pošlite navijak do spoločnosti 3M alebo do autorizovaného servisného strediska na servis.	<input type="checkbox"/>	<input type="checkbox"/>
Chyby oceleového lana	Skontrolujte celú dĺžku zostavy oceleového lana, počnúc háčikom. Pri kontrole lana vždy noste ochranné rukavice. Skontrolujte, či lano neobsahuje zlomené drôty – podávajte si ho cez ruky v rukavici a každých pár centimetrov ho ohnite, či sa nezalomí. Skontrolujte, či lano neobsahuje zalomenia, zárezy, rozdrvené popálené miesta, známky korózie alebo iného poškodenia. Oceleové lano s väčším poškodením sa musí vyradiť z prevádzky.	<input type="checkbox"/>	<input type="checkbox"/>
Syntetické lano	Skontrolujte, či nenájdete bodové opotrebovanie, rozstrapkané pramene, pretrhnuté vlákna, zárezy a odreté miesta. Lano musí byť po celej dĺžke bez uzlov, nadmerného znečistenia, nahromadenia farby a korózie. Lano nesmie byť poškodené ultrafialovým žiarením, čo sa prejavuje odfarbením a prítomnosťou drobných hrčiek na povrchu lana. Je známe, že všetky uvedené faktory znižujú pevnosť lana. Ak je lano poškodené alebo nemáte istotu, vymeňte ho v autorizovanom servisnom stredisku.	<input type="checkbox"/>	<input type="checkbox"/>
Lano	Skontrolujte, či je lano úplne usadené na bubne – zdvihnite a spustíte bremeno s hmotnosťou aspoň 35 kg (100 lb). Ak začne lano počas tejto operácie kĺzať, popri zdvíhaní bremena ťahajte za voľný koniec lana, kým kĺzanie neprestane.	<input type="checkbox"/>	<input type="checkbox"/>

**1 Kompetentná osoba:** Osoba spôsobilá identifikovať existujúce a predvídateľné nebezpečenstvá pracovného prostredia alebo pracovné podmienky, ktoré sú nehygienické, nebezpečné alebo škodlivé pre zamestnancov, a ktorá má oprávnenie uskutočňovať okamžité nápravné opatrenia na ich odstránenie.





# SÄKERHETSINFORMATION

Läs igenom, se till att du förstår och följ all säkerhetsinformation i denna bruksanvisning innan du använder denna enhet för ingång/räddning i trånga utrymmen. OM DETTA INTE GÖRS KAN DET LEDA TILL ALLVARLIGA SKADOR ELLER DÖDSFALL.

Dessa anvisningar måste tillhandahållas för den som ska använda denna utrustning. Spara dessa instruktioner för framtida referens.

## Avsedd användning:

Denna enhet för ingång/räddning i trånga utrymmen är avsedd att användas som en del av ett komplett personligt fallskydds- eller räddningssystem.

Användning för andra syften, inklusive men ej begränsat till, icke godkända materialhanteringsapplikationer, fritids- och idrottsaktiviteter samt andra aktiviteter som inte beskrivs i bruksanvisningen eller installationsanvisningen, godkänns inte av 3M och kan leda till allvarlig personskada eller dödsfall.

Denna enhet ska endast användas av utbildade användare för professionellt bruk.

## VARNING

Den här enheten för ingång/räddning i trånga utrymmen är en del av ett personligt fallskydds- eller räddningssystem. Alla användare förväntas vara fullständigt utbildade i säker installation och användning av hela systemet. **Felaktig användning av den här enheten kan resultera i allvarlig skada eller dödsfall.** För korrekt val, användning, installation, underhåll och service hänvisas till alla bruksanvisningar för produkten och alla rekommendationer från tillverkaren, din arbetsledare eller 3M:s tekniska kundtjänst.

- **För att minska riskerna i samband med arbete med en enhet för ingång/räddning i trånga utrymmen, som om de inte undviks, kan leda till allvarliga personskador eller dödsfall:**
  - Kontrollera enheten före varje användning, minst en gång per år och efter varje fallhändelse. Utför kontrollen enligt bruksanvisningen.
  - Om inspektion avslöjar ett osäkert eller defekt tillstånd ska du ta anordningen ur drift och reparera eller byta ut den i enlighet med bruksanvisningen.
  - Varje enhet som har utsatts för fallstopp eller fallkraft måste omedelbart tas ur bruk. Se bruksanvisningarna eller kontakta 3M Fall Protection.
  - Enheten får endast installeras på det sätt som beskrivs i installationsanvisningarna eller bruksanvisningarna. Installation och användning på annat sätt än enligt anvisningarna måste godkännas skriftligen av 3M Fall Protection.
  - Underlaget eller strukturen i vilken utrustningen fästs måste kunna bära de statiska laster som anges för utrustningen i de riktningar som är tillåtna enligt bruksanvisningarna eller installationsanvisningarna.
  - Överskrid inte tillåtet antal användare.
  - Arbeta aldrig under en hängande last eller arbetare.
  - Iaktta försiktighet vid installation, användning och förflyttning av utrustningen eftersom delar i rörelse kan ge upphov till klämpunkter. Se bruksanvisningarna.
  - Säkerställ att lämpliga procedurer för låsning/spärrning följs när det är tillämpligt.
  - Anslut aldrig till ett system förrän detta har positionerats och fullständigt monterats, justerats och installerats. Justera inte systemet när en användare är ansluten.
  - Koppla endast delsystem till avsedda förankringskopplingar på utrustningen.
  - Säkerställ före borring eller infästning att inga elledningar, gasledningar eller andra kritiska dolda system kommer i kontakt med borren eller utrustningen.
  - Se till att fallskyddssystem och delsystem som är monterade med komponenter från olika tillverkare är kompatibla och uppfyller kraven i tillämpliga standarder, inklusive ANSI Z359 eller andra tillämpliga regler, standarder eller krav på fallskydd. Anlita alltid en kompetent eller kvalificerad person före användning av dessa system.
- **För att minska risker för allvarlig skada eller dödsfall vid arbete på höga höjder:**
  - Se till att din hälsa och fysiska kondition medger att du säkert kan motstå alla krafter i samband med arbete på hög höjd. Rådgör med läkare om du har frågor kring din förmåga att använda den här utrustningen.
  - Överskrid aldrig din fallskyddsutrustnings godkända kapacitet.
  - Överskrid aldrig din fallskyddsutrustnings maximala avstånd för fritt fall.
  - Använd aldrig fallskyddsutrustning som inte godkänts vid inspektion före användning eller andra schemalagda inspektioner, eller om du är osäker på huruvida utrustningen kan användas eller lämpar sig för ditt tillämpningsområde. Vänd dig till 3M:s tekniska kundtjänst med eventuella frågor.
  - Vissa kombinationer av undersystem och komponenter kan störa utrustningens funktionsduglighet. Använd endast kompatibla kopplingar. Rådfråga 3M innan du använder denna utrustning i kombination med andra komponenter eller undersystem än de som beskrivs i bruksanvisningen.
  - Iaktta särskild försiktighet vid arbete i närheten av rörliga maskindelar (t.ex. toppspindel på oljerigg), elfara, höga temperaturer, farliga kemikalier, explosiva eller giftiga gaser, skarpa kanter eller under material som kan falla ner på dig eller din fallskyddsutrustning.
  - Använd Arc Flash- eller Hot Works-enheter vid arbete i miljöer med höga temperaturer.
  - Undvik ytor och föremål som kan skada användare eller utrustning.
  - Se till att det finns tillräcklig fallmarginal vid arbete på höga höjder.
  - Du skall aldrig modifiera eller ändra din fallskyddsutrustning. Endast 3M eller av 3M skriftligen auktoriserade parter får utföra reparationer på utrustningen.
  - Innan du använder fallskyddsutrustning skall du kontrollera att det finns en räddningsplan som medger snabb räddning vid eventuellt fall.
  - Vid fall bör arbetaren som fallit få omedelbar läkarvård.
  - Ett kroppsbälte får ej användas för fallstoppstillämpningar. Använd endast helkroppsselar.
  - Minimera risken för pendelfall genom att arbeta med förankringspunkten så rakt ovanför dig som möjligt.
  - Vid utbildning i användning av den här enheten måste ett andra fallskyddssystem användas för att inte utsätta personen som utbildas för en oavsiktlig fallrisk.
  - Använd alltid lämplig personlig skyddsutrustning vid installation, användning eller inspektion av enheten/systemet.

Dokumentera uppgifterna på produktens ID-etikett i besiktning- och underhållsloggen på baksidan av denna bruksanvisning före installation och användning av utrustningen.

Se alltid till att du använder den senaste upplagan av 3M-bruksanvisningen. Gå till 3M:s webbplats eller kontakta 3M:s tekniska support för information om aktuella bruksanvisningar.

## PRODUKTBESKRIVNING:

Vinschen i digitala serien 3M™ DBI-SALA™ illustreras i figur 1. Vinscherna i den digitala serien används för arbetspositionering, persontransport, materialhantering, som klätterskydd eller vid räddning och evakuering. Vinschmodellerna är avsedda att användas med ett 3M trebensstativ för fallskydd, dävartarm eller andra stödkonstruktioner och de kan användas i situationer då personal eller material ska höjas eller sänkas maximalt 88 m (290 ft). Figur 2 illustrerar komponenterna i den digitala vinschen och vinschen med kontinuerlig matning.

**A. Arbetspositionering:** Tillämpningar inkluderar att låta en arbetare hänga i en arbetsstol eller sele. Ett reservfallsystem måste fästas till den hängande medarbetaren.

**B. Persontransport:** Arbetaren har inte längre stöd av vinschen på arbetsnivå. Ett reservfallsystem måste fästas till medarbetaren som använder vinschen.

**C. Räddning och evakuering:** Används för att höja eller sänka en arbetare som utsätts för fara eller har skadats samt räddningspersonal. Tillämpningar inkluderar arbete i begränsade utrymmen där arbetstillstånd krävs eller inte krävs. I räddnings- eller evakueringssituationer ska ett reservfallsystem användas.

**D. Klätterskydd:** Används för att skydda en arbetare som går upp eller ner för en fastsatt stege eller liknande konstruktion. Användning av vinschen ska begränsas till konstruktioner där det inte är möjligt att använda andra former av klätterskydd, som permanent installerade säkerhetssystem för stegar eller personliga fallskyddssystem. Följande förhållanden måste råda för denna tillämpning:

- Stegar eller trappsteg måste vara i gott skick och medge obehindrad, kontinuerlig klättring.
- Arbetaren som klättrar på stegen bär helkroppssele och vinschlinan är ansluten till D-ringen på ryggsidan av selen.
- Vinschens operatör har utbildning och kompetens för användning av vinschen.
- Linan får inte vara slak medan arbetaren klättrar upp eller ner för stegen.
- Kopplingslinor med energiabsorbering ska anslutas mellan selens D-ring på ryggsidan och vinschlinan.

**Tabell 1 – Specifikationer**

Systemspecifikationer:	
<b>Kapacitet</b>	Produktens maximala arbetsbelastning är en person med en maximal sammantagen vikt (inklusive verktyg, kläder och utrustning) på 204 kg (450 lb).
<b>Husmaterial</b>	Gjuten aluminium färgbehandlad med pulverlackering
<b>Livlinans material</b>	5 mm (3/16 tum) rostfritt stål 6 mm (1/4 tum) rostfritt stål 5 mm (3/16 tum) galvaniserat stål 6 mm (1/4) Technora-rep 12 mm (1/2 tum) Kernmantle-rep
<b>Monteringskrav (se figur 7)</b>	Högerhandskonfiguration (A): Kabeln matas underifrån med en momentbelastning på 1 051 N*m (775 ft-lb) och 14 kN (3 100 lb*f) i dragriktningen.  Vänsterhandskonfiguration (B): Kabeln matas ovanifrån med en momentbelastning på 3 194 N*m (2 356 ft-lb) och 14 kN (3 100 lb*f) i dragriktningen.

### Digital vinsch

Referens för figur 2	Komponent
(A)	Vinsch
(B)	Primärt driftnav. Reduktionsförhållande på 4:1
(C)	Sekundärt driftnav. Reduktionsförhållande på 9:1
(D)	Fjäderförsedd kabelhållare
(E)	Bärhandtag
(F)	Manuella drivnav
(G)	Avtagbar vevarm
(H)	Universell monteringsplatta

**Tabell 1 – Specifikationer**

<b>Vinsch med kontinuerlig matning:</b>	
<b>Referens för figur 2</b>	<b>Komponent</b>
Ⓝ	Avtagbart vevhandtag
Ⓚ	Övre block
Ⓛ	Distans
Ⓜ	Övre rulle

**Mått (se figur 15)**

**A:** Vinsch i 100-serien, vinsch med kontinuerlig matning (8514602)

**B:** Vinsch i 200-serien

**C:** Vinsch i 300-serien

<b>Serie</b>	<b>Modell</b>	<b>Längd på livlina</b>	<b>Kabeltyp</b>	<b>Vikt</b>
<b>A</b>	8518567	18 m (60 ft)	Galvaniserat stål	13,8 kg (30,5 lb)
	8518565	18 m (60 ft)	Rostfritt stål	13,8 kg (30,5 lb)
	8518571	18 m (60 ft)	Technora-rep	12,2 kg (27 lb)
	8518560	18 m (60 ft)	Galvaniserat stål	13,8 kg (30,5 lb)
	8518558	18 m (60 ft)	Rostfritt stål	13,8 kg (30,5 lb)
	8518564	18 m (60 ft)	Technora-rep	12,2 kg (27 lb)
	8518568	27 m (90 ft)	Galvaniserat stål	14,7 kg (32,5 lb)
	8518566	27 m (90 ft)	Rostfritt stål	14,7 kg (32,5 lb)
	8518561	27 m (90 ft)	Galvaniserat stål	14,7 kg (32,5 lb)
	8518559	27 m (90 ft)	Rostfritt stål	14,7 kg (32,5 lb)
<b>B</b>	8518588	42 m (140 ft)	Galvaniserat stål	18,4 kg (40 lb)
	8518586	42 m (140 ft)	Rostfritt stål	18,4 kg (40 lb)
	8518581	42 m (140 ft)	Galvaniserat stål	18,4 kg (40 lb)
	8518579	42 m (140 ft)	Rostfritt stål	18,4 kg (40 lb)
	8518589	58 m (190 ft)	Galvaniserat stål	19,4 kg (43 lb)
	8518587	58 m (190 ft)	Rostfritt stål	19,4 kg (43 lb)
	8518582	58 m (190 ft)	Galvaniserat stål	19,4 kg (43 lb)
	8518580	58 m (190 ft)	Rostfritt stål	19,4 kg (43 lb)
<b>C</b>	8518610	73 m (240 ft)	Galvaniserat stål	22,6 kg (50 lb)
	8518608	73 m (240 ft)	Rostfritt stål	22,6 kg (50 lb)
	8518603	73 m (240 ft)	Galvaniserat stål	22,6 kg (50 lb)
	8518601	73 m (240 ft)	Rostfritt stål	22,6 kg (50 lb)
	8518611	88 m (290 ft)	Galvaniserat stål	19,5 kg (53,5 lb)
	8518609	88 m (290 ft)	Rostfritt stål	19,5 kg (53,5 lb)
	8518604	88 m (290 ft)	Galvaniserat stål	19,5 kg (53,5 lb)
	8518602	88 m (290 ft)	Rostfritt stål	19,5 kg (53,5 lb)
<b>Vinsch med kontinuerlig matning</b>	8514602	-----	12 mm (1/2 tum) Kernmantle-rep	14,6 kg (32,2 lb)

**1 Kapacitet:** 140 kg (310 lb) kapacitet krävs enligt ANSI. Produkten har testats för en maximal kapacitet på 204 kg (450 lb) enligt OSHA.

**2 Kvalificerad person:** En person med verifierad erkänd utbildningsnivå och omfattande erfarenhet av fallskydd. Personen ska vara väl insatt i konstruktion, analys, utvärdering och specifikation av fallskydd.

## 1.0 ANVÄNDNING AV PRODUKTEN

**1.1 SYFTE:** 3M-vinschar säkras till 3M-fallskyddssystem och gör att dessa system kan användas för andra syften. 3M-vinschar är utformade för användning som del av ett arbetspositions- eller räddningssystem. Figur 1 visar de vinschmodeller som beskrivs i denna bruksanvisning. Beroende på vinschmodell kan systemtillämpningarna även omfatta materialhantering, persontransport och klättring. Mer information om systemtillämpningar finns i tabell 1.

*Använd aldrig 3M-vinschar som primära fallskyddsenheter i ett fallskyddssystem.*

**1.2 STANDARDER:** Produkten överensstämmer med de nationella eller regionala standarder som indikeras på framsidan av den här instruktionsmanualen. Om produkten säljs utanför det ursprungliga mottagarlandet ska återförsäljaren tillhandahålla dessa instruktioner på det språk som brukas i det land där produkten kommer att användas.

**1.3 ÖVERVAKNING:** Användning av denna utrustning ska övervakas av en kvalificerad person<sup>1</sup>. Installation av denna utrustning måste övervakas av en kvalificerad person<sup>2</sup>.

**1.4 UTBILDNING:** Utrustningen måste monteras och användas av personer som är utbildade för korrekt användning av den. Dessa instruktioner ska användas som utbildningsmaterial i ett personalutbildningsprogram enligt nationella, regionala eller lokala standarder. Användare och installatörer är ansvariga för att vara insatta i dessa instruktioner, utbildade i korrekt skötsel och användning av utrustningen samt insatta i utrustningens funktionsegenskaper, tillämpningsbegränsningar och konsekvenser av felaktig användning.

**1.5 RÄDDNINGSPÅN:** När utrustningen och anslutna delsystem används måste arbetsgivaren ha upprättat en skriftlig räddningsplan och avsatt resurser för att implementera och informera användarna om räddningsplanen<sup>3</sup>, behöriga personer<sup>4</sup> och räddningspersonal<sup>5</sup>. Ett utbildat räddningsteam på plats rekommenderas. Teamets medlemmar ska förses med den utrustning och de metoder som krävs för att utföra en framgångsrik räddningsoperation. Regelbunden utbildning ska tillhandahållas för att säkerställa räddningspersonalens kompetens. Räddningspersonal ska ha tillgång till dessa instruktioner. Det ska alltid finnas visuell kontakt eller sätt att kommunicera med personen som ska räddas under räddningsprocessen.

**1.6 FALLMARGINAL:** När du fastställer nödvändig fallmarginal för ett fallskyddssystem ska alla komponenter i fallskyddssystemet beaktas. Det måste finnas tillräcklig fallmarginal för att stoppa ett fall innan användaren slår i marken eller något annat föremål. Mer information om beräkning av fallavstånd finns i tillverkarens instruktioner som medföljer ditt anslutna delsystem.

**1.7 PENDELFALL:** Pendelfall kan inträffa när förankringspunkten inte ligger rakt ovanför den punkt där ett fall sker (se figur 4). Kraften då ett föremål träffas i pendelfall kan orsaka allvarlig personskada eller dödsfall. Låt inte pendelfall uppstå om det finns risk för personskada. Minimera risken för pendelfall genom att arbeta med förankringspunkten så rakt ovanför dig som möjligt. Användarens nödvändiga fallmarginal (FC) ökar när användarradien (W) ökar, eftersom det totala fallavståndet blir större än om användaren hade fallit direkt under förankringspunkten.

**1.8 EFTER ETT FALL:** Om utrustningen utsätts för fallstopp eller kollisioner ska den omedelbart tas ur bruk. Märk den tydligt med "FÅR EJ ANVÄNDAS". Mer information finns i avsnitt 5.

## 2.0 SYSTEMKRAV

**2.1 FÖRANKRING:** Kraven på förankringar varierar mellan olika fallskyddstillämpningar. Den monteringskonstruktion som utrustningen placeras på måste uppfylla de förankringsspecifikationer som anges i tabell 1.

**2.2 KAPACITET:** Användarkapaciteten för ett komplett fallskyddssystem begränsas av dess lägsta klassade maximala kapacitet. Om till exempel ditt anslutna delsystem har en kapacitet som är lägre än din seles måste du följa kapacitetskraven för ditt anslutna delsystem. Se kapacitetskraven i tillverkarens instruktioner för varje komponent i ditt system.

**2.3 ARBETSMILJÖRISKER:** Vid användning av utrustningen på platser med arbetsmiljörisker kan ytterligare försiktighetsåtgärder krävas för att undvika att användare eller utrustning skadas. Riskerna är bland annat följande: hög värme, kemikalier, frätande miljöer, högspänningsledning, explosiva eller giftiga gaser, rörligt maskineri, vassa kanter och material på högre höjd som kan falla ned och träffa användaren eller enheten. Kontakta 3M Technical Services för ytterligare förtydligande.

**2.4 RISKER FÖR LIVLINAN:** Se till att livlinan inte utsätts för någon risk, inklusive men inte begränsat till: att användare, andra arbetare, rörliga maskiner eller andra omgivande föremål fastnar i linan, eller stötar från överliggande föremål som kan falla på livlinan eller användarna.

**2.5 VASSA KANTER:** Undvik att använda utrustningen om systemkomponenter kan komma i kontakt med eller skava mot oskyddade vassa kanter eller nötande ytor. Alla vassa kanter och nötande ytor måste täckas med skyddande material om kontakt är oundviklig.

**1 Kvalificerad person:** En person som kan identifiera befintliga och förutsägbara risker i omgivningen, och hälsovådliga, riskfyllda eller farliga arbetsförhållanden för anställda och som har befogenhet att vidta omedelbara korrigerande åtgärder för att eliminera sådana risker och förhållanden.

**2 Kvalificerad person:** En person som har examen, betyg eller yrkesbefattning av godkänd typ, eller som genom omfattande kunskap, utbildning och erfarenhet har visat att de har fullgod förmåga att lösa problem som rör fallskydds- och räddningssystem enligt vad som krävs av tillämpliga nationella, regionala och lokala bestämmelser.

**3 Användare:** En person som utför aktiviteter och skyddas av ett fallskyddssystem.

**4 Behörig person:** En person som utsetts av arbetsgivaren att utföra arbeten på platser där personen utsätts för fallrisk.

**5 Räddningspersonal:** En person som använder räddningssystemet för att utföra en assisterad räddning.

**2.6 KOMPONENTERS KOMPATIBILITET:** 3M-utrustning är endast avsedd att användas med komponenter och delsystem som är godkända av 3M. Om komponenter ersätts eller byts ut mot icke godkända komponenter eller delsystem kan det äventyra utrustningens kompatibilitet och påverka hela systemets säkerhet och tillförlitlighet.

**2.7 KOPPLINGARS KOMPATIBILITET:** Kopplingar och kopplade komponenter anses kompatibla om de har en sådan utformning att de, oavsett hur de vänds och vrids, fungerar tillsammans så att deras storlek och form inte orsakar att öppningsmekanismerna öppnas oavsiktligt. Kontakta 3M om du har frågor om kompatibilitet.

Kopplingar (krokar, karbinhakar och D-ringar) måste ha kapacitet att bära upp minst 22,2 kN (5 000 lbf). Kopplingar måste vara kompatibla med förankringarna eller andra systemkomponenter. Använd inte utrustning som inte är kompatibel. Icke-kompatibla kopplingar kan lossna av misstag (se figur 5). Kopplingar måste vara kompatibla i storlek, form och styrka. Om den koppling till vilken en automatkrok eller karbinhake fäster är underdimensionerad eller har felaktig form kan det uppstå en situation där kopplingsdelen anbringar en kraft på automatkrokens eller karbinhakens (A) öppningsmekanism. Denna kraft kan orsaka att öppningsmekanismen öppnas (B), och att automatkroken eller karbinhaken lossnar från kopplingspunkten (C).

**2.8 KOPPLING:** Automatkrokar och karbinhakar som används med denna utrustning ska vara självlåsande. Kontrollera att alla kopplingar är kompatibla i storlek, form och styrka. Använd inte utrustning som inte är kompatibel. Kontrollera att alla kopplingar är helt stängda och låsta.

3M:s kopplingar (automatkrokar och karbinhakar) är endast avsedda att användas enligt respektive produkts bruksanvisning. Figur 6 innehåller exempel på olämpliga anslutningar. Anslut inte automatkrokar och karbinhakar:

- A. Till en D-ring där annan koppling är fäst.
- B. På ett sätt som kan orsaka att öppningsmekanismen belastas. Automatkrokar med stora öppningar ska inte anslutas till D-ringar i standardstorlek eller liknande föremål eftersom det orsakar en belastning på öppningsmekanismen om haken eller D-ringen vrids eller roterar, såvida inte automatkroken är utrustad med en öppningsmekanism som klarar 16 kN (3 600 lbf). Kontrollera automatkrokens märkning för att avgöra om den passar för din tillämpning.
- C. I en falsk koppling, där delar som sticker ut på automatkroken eller karbinhaken fastnar i förankringen, och utan visuell bekräftelse tycks vara helt fastkopplade i förankringspunkten.
- D. Till varandra.
- E. Direkt till vävband, kopplingslinor eller omtagslinor (såvida inte tillverkarens instruktioner för både kopplingslinan och kopplingen specifikt tillåter sådan koppling).
- F. Till ett föremål som är utformat eller har sådan storlek att automatkroken eller karbinhaken inte stängs, eller om det finns risk för utrullning.
- G. På ett sätt som förhindrar kopplingsdonet från att vara korrekt riktat vid belastning.

### 3.0 INSTALLATION

**3.1 PLANERING:** Planera för fallskyddssystemet före montering av den digitala vinschen. Beakta alla faktorer som kan påverka säkerheten före, under och efter ett fall. Ta hänsyn till alla krav, begränsningar och specifikationer som anges i avsnitt 2 och tabell 1.

### 3.2 INSTALLERA VINSCHEN PÅ DÄVERTARM ELLER TREBENSSTATIV:

**VINSCHINSTALLATION:** Se bild 8.

Steg 1: Montera vinschen på stödkonstruktionen genom att föra samman snabbmonteringsfästets skårade ände med monteringsfästets fasta sprint (A).

Steg 2: Sväng vinschen uppåt för att passa in hålen i monteringsfästena.

Steg 3: För in spärrstiftet (B) i hålen för att säkra vinschen på stödkonstruktionen.

**Skivblock till kabel måste ha en rulldiameter på minst 6,4 cm (2,5 tum).**

### 3.3 ANVÄNDNING AV VINSCH:

**A. ANSLUTA VINSCHLINAN TILL EN LAST:** Se figur 10. A: Vinschlinan, B: Kopplingslina av Y-typ, C: Sekundär livlina, D: D-ring för axlar, E: D-ring på ryggsida, F: Fallskyddssling, G: Materialbelastning. Vid tillämpningar som inte kräver ett sekundärt personligt fallskyddssystem ska vinschlinan anslutas till D-ringen på ryggsidan av arbetarens sele. Vid tillämpningar som kräver ett sekundärt personligt fallskyddssystem ska vinschlinan anslutas till en kopplingslina av Y-typ och den kopplingslinan ska anslutas till D-ringarna för axlar på arbetarens sele. Den sekundära livlinan ska anslutas till D-ringen på ryggsidan av arbetarens sele. Vid materialhantering ska vinschlinan anslutas till lasten med en fallskyddssling eller annan förankringsenhet.

**B. HANTERA DEN DIGITALA VINSCHEN:** Anslut vinschen till stödkonstruktionen enligt beskrivning i avsnitt 3.4. Installera vinschens vevhandtag i drivnavet (9:1 eller 4:1) och tryck kraftigt inåt tills den fjäderförsedda spärren på handtaget klickar på plats (handtagets grepp ska riktas utåt).  
Ta bort vevhandtaget från navet genom att trycka in den fjäderförsedda spärren och dra loss handtaget från navet.  
Mata linan från vinschtrumman genom att rotera vevhandtaget i riktningen för att sänka (moturs). Applicera cirka 4,5 kg (10 lb) spänning på linan medan den matas ut från trumman. Dra linan över stödkonstruktionens blocksystem. Information om kabeldragning finns i stödkonstruktionens bruksanvisning.

**HÖJA EN LAST:** Roter vevhandtaget för att höja den (medurs). Sluta veva för att hålla lasten stilla eller låta den hänga tillfälligt. Den automatiska bromsen kommer att hålla lasten stilla om handtaget släpps. Överstig inte märkkapaciteten på 204 kg (450 lb).

**SÄNKA EN LAST:** Roter vevhandtaget i riktningen för att sänka (moturs). När en lina sänks ned utan belastning ska linan ha cirka 4,5 kg (10 lb) spänning för att underlätta utmatningen och förhindra att linan fastnar.

**C. STÖTINDIKATOR:** Se figur 11. A: Normal automatkrok, B: Stötblastad automatkrok, C: Rött streck indikerar stötblastning. Den digitala vinschen är försedd med en anslutande svängbar krok som inkluderar en stötindikator. Den här indikatorn fungerar om vinschen utsätts för kraftiga stötar eller om lyftkapaciteten överskrids med ett förinställt värde. Ett rött streck kommer att bli synligt i svängytan på en krok som utsätts för stötblastning.

**D. BORTTAGNING AV VINSCH:** Koppla bort livlinan från arbetarens sele eller från materiallasten. Behåll minst 4,5 kg (10 lbs) belastning på livlinan medan du lindar upp livlinan på trumman. Dra in livlinan genom stödkonstruktionen. Fortsätt att linda upp livlinan på trumman tills kopparhylsor och kaus kommer i kontakt med trumman. Koppla bort vinschen från stödkonstruktionen.

**E. BORRMASKINSNAV (SE FIGUR 9):** Tillbehöret 8512936 (A) kan fästas för att höja och sänka användaren med en bormaskin (B) med en 12,7 mm (1/2 tum) drivning och en maximal borrhastighet på 300 varv/min. Se IFU 5903667 för mer information.

**3.4 FASTSÄTTNING AV LAST:** Dra i automatkroken medan du vev handtaget motsols för att förlänga livlinan tills den är tillräckligt lång för att enkelt kunna fästas vid arbetare eller last. Utför fastsättningen på avstånd från öppningen så att arbetare eller last inte riskerar att falla ned. Använd två händer när du fäster livlinan – ena handen håller livlinan spänd och den andra trycker in låset och öppnar automatkrokens öppningsmekanism. För in kroken i selens D-ring. Släpp upp öppningsmekanismen och se till att automatkroken är ordentligt fäst på D-ringen.

### 3.5 SYSTEMINTEGRITET: Kontrollera att fäste och stödsystem fungerar på rätt sätt enligt nedanstående:

**A.** Veva vinschens handtag för att höja den tills linan är åtdragen. Arbetaren ska långsamt överföra sin vikt till sele och livlina tills det går att lyfta båda fötterna från marken.

**B.** Se till att vinschen håller arbetaren i en fast position. Justera selen så att den inte sitter för hårt, skaver eller förhindrar rörelser.

**Använd inte vinschen för att lyfta eller sänka mer än en person. Maximal lyftkapacitet är 2,0 kN (450 lbf).**

**3.6 SÄNKA EN ARBETARE:** Assistenten ska vrida vinschhandtaget moturs för att mata ut livlinan. Assistenten ska hålla en handskbeklädd hand på livlinan medan den dras ut och se till att den förblir något spänd.

Om linan blir alltför spänd eller slak under användning kommunicerar du med den hängande arbetaren för att ta reda på om ett problem har uppstått. Justera innan du går vidare.

**Om spänningen minskar under nedsänkningen har personen eller materialet som sänks nått arbetsnivå eller något hinder. Fortsätt inte att veva utan att kommunicera med personen eller utan att kontrollera materialet som sänks. Håll alltid kabeln spänd. En slak kabel kan orsaka ett fritt fall.**

Under tiden som en arbetare är hängande ska livlinans vinkel vara högst 5 grader från lodrätt. Arbetaren kan skadas allvarligt vid ett fall med över 5 graders vinkel. Om arbetaren inte är hängande och ingen fallrisk föreligger får assistenten mata ut tillräckligt lång lina [maximalt 0,6 m (2 ft)] för att arbetaren ska kunna arbeta obehindrat. Assistenten ska hålla linan på ett sådant sätt att den alltid är något spänd. Kommunikationen mellan arbetaren och assistenten ska upprätthållas.

**Livlinans sista 3 m (10 ft) är markerade med rött och ska inte lindas av från trumman. Den längden utgör den upplindning på trumman som krävs för att förankra livlinan ordentligt och se till att den lindas åt rätt håll. Dra inte ut livlinan något mer när du ser det röda strecket. Livlinan ska lindas upp på trumman enbart genom att vevhandtaget vrids i riktning för att höja (moturs). Kontrollera regelbundet att livlinan lindas upp jämnt på trumman. Använd handskar vid hantering av livlinan.**

- 3.7 HÄMTA EN ARBETARE:** Kommunicera med arbetaren inför hämtning och bibehåll kommunikation under hela processen. Sätt vevhandtaget i det driftnav (4:1 eller 9:1) som passar för att hålla kraftmomentet i ett lämpligt område. Dra in livlinan och hämta arbetaren. Bibehåll en jämn takt. Om vinschhandtagets belastning vid vridning plötsligt ökar ska du avbryta och ta reda på orsaken. Avgör orsaken och rätta till problemet innan du fortsätter. Vid hämtning ska du stödja lasten eller arbetaren och koppla bort livlinan.
- 3.8 TRÖGHETSBRÖMS:** Den digitala vinschen är konstruerad med en ständigt aktiverad broms som bromsar en hängande last i den stund vevhandtaget släpps. Bromsen består av tre sinsemellan oberoende spärrhakar. Alla tre spärrhakar måste ha blivit otjänliga för att den primära bromsen ska sluta att fungera. Vinschen har en sekundär tröghetsbroms som skydd ifall den primära bromsen skulle sluta att fungera. Om den primära bromsen slutar att fungera snurrar vinschen fritt tills tröghetsbromsen aktiveras och kabeln stannar. Högst 1 m (3 ft) kabel dras ut innan tröghetsbromsen aktiveras.
- 3.9 VÄNSTERHANDSGREPP:** Den digitala vinschen kan justeras för att fungera med vänsterhandsgrepp. Du gör justeringen genom att ta bort den fjäderförsedda kabelhållaren och fästa den på andra änden av monteringsplattan med samma fästelement. Ta bort bärhandtaget genom att ta bort de två skruvar som fäster det på vinschen och sätta fast det på andra sidan av vinschen. Använd en borttagbar gänglåsning som Loctite 242 för att säkra alla fästelement. Vinschen kan nu monteras på monteringsfästena med handtaget på dess vänstra sida.

**I vänsterhandskonfigurationen kommer kabeln att matas från trummans ovansida, vilket ändrar kraven på lastmoment. Se tabell 1.**

- 3.10 MONTERING AV REP:** Vinschen med kontinuerlig matning passar Kernmantle-rep med 12 mm (1/2 tum) diameter av olika längd. Monteringsprocessen varierar beroende på om repet avslutas med en automatkrok i den ena änden.

**Efter att repet har matats in i vinschen med kontinuerlig matning kan det vara nödvändigt att spänna repets lösa ände samtidigt som en last höjs för att repet ska passas in rätt på trumman.**

**Se alltid till att repet är tillräckligt långt för att vinschen ska kunna användas utan att repet tar slut.**

**UTAN AUTOMATKROK:** Rep utan automatkrok kan matas in i vinschen med kontinuerlig matning från bägge ändar beroende på hur mycket rep som används:

**INSTALLERA FRÅN REPETS BÖRJAN:** Se figur 13.

Steg 1: Fäst vinschen med kontinuerlig matning till en stabil förankringspunkt (trebensstativ, dävvertarm osv.).

Steg 2: För in repänden under mellanlägget (13.1A) och mellan trumman och den övre rullen (13.1B).

Steg 3: För försiktigt in repet i vinschen samtidigt som du vrider vevhandtaget moturs. När repet passerar genom vinschen (figur 13.2) ska du se till att repet lämnar vinschen ovanför mellanlägget (13.2A) och under det stora övre blocket (13.2B). Det kan vara nödvändigt att dra repet framför det översta blocket.

Steg 4: Fortsätt att veva handtaget och dra repänden över dävvertsystemets block eller kabelskena.

**MONTERA FRÅN REPÄNDEN:** Se figur 14.

Steg 1: Fäst vinschen med kontinuerlig matning till en stabil förankringspunkt (trebensstativ, dävvertarm osv.).

Steg 2: För in repänden ovanför mellanlägget (14.1A) och mellan trumman och det stora övre blocket (14.1B).

Steg 3: För försiktigt in repet i vinschen samtidigt som du vrider vevhandtaget medurs. När repet passerar genom vinschen (figur 14.2) ska du se till att repet lämnar vinschen under mellanlägget (14.2A) och ovanför det stora övre blocket (14.2B). Det kan vara nödvändigt att dra repet framför mellanlägget (14.1A).

Steg 4: Fortsätt att veva vevhandtaget tills repet löper över den övre rullen och hänger ner från vinschen.

- 3.12 INSTALLERA REP MED AUTOMATKROK:** När ett rep med en automatkrok i ena änden installeras ska repet dras på rätt sätt över förankringsstrukturen (t.ex. block, rulle) och änden utan krok ska matas genom vinschen med kontinuerlig matning på samma sätt som beskrivs i "Installera från repänden".

**3.13 REPÄNDE:** Repets ände måste vara fästad eller ha en knut för att säkerställa att repänden inte passerar genom vinschen under användning.

## 4.0 ANVÄNDNING

**4.1 FÖRE VARJE ANVÄNDNING:** Kontrollera att ditt arbetsområde och fallskyddssystemet uppfyller alla kriterier som definieras i dessa instruktioner. Kontrollera att en formell räddningsplan har upprättats. Kontrollera produkten enligt användarens kontrollpunkter som anges i *besiktningss- och underhållsloggen*. Om inspektionen avslöjar ett osäkert eller defekt tillstånd, eller om det uppstår tvivel om produktens tillstånd för säker användning, ska du omedelbart ta produkten ur bruk. Märk den tydligt med "FÅR EJ ANVÄNDAS". Mer information finns i avsnitt 5.

## 5.0 BESIKTNING

**5.1 BESIKTNINGSINTERVALL:** Produkten ska besiktas av användaren före varje användning och dessutom av en kvalificerad person (annan än användaren) minst en gång per år. Hög användningsfrekvens och hårda förhållanden kan innebära att det krävs fler besiktningar som ska utföras av kvalificerade personer. Frekvensen för dessa besiktningar bestäms av den kvalificerade personen enligt arbetsplatsens specifika villkor.

**5.2 BESIKTNINGSPROCEDURER:** Besiktiga den här produkten enligt procedurerna som anges i *besiktningss- och underhållsloggen*. Ägaren till denna utrustning ska arkivera dokumentation om varje besiktning. En besiktningss- och underhållslogg bör placeras nära produkten eller på annat sätt vara lättillgänglig för användarna. Det rekommenderas att produkten märks med datumet för kommande eller senaste genomförda besiktning.

**Efter 10 000 varv eller 5 år:** Vi rekommenderar att vinschen genomgår service av en fabriksauktoriserad reparatör eller av tillverkaren. Extrema arbetsförhållanden kan innebära att det krävs tätare besiktningar. Service bör inkludera men inte vara begränsat till noggrann besiktning och rengöring av alla interna och externa komponenter. Att inte utföra ordentlig service kan förkorta produktens livslängd och försämra dess prestanda.

**5.3 DEFEKTER:** Om osäkra eller defekta tillstånd upptäcks vid besiktning ska vinschen omgående tas ur bruk och 3M kontaktas för utbyte eller reparation. Gör inga försök att reparera fallskyddssystemet.

**Får endast repareras av auktoriserad verkstad:** Endast 3M eller skriftligen auktoriserade parter får utföra reparationer på utrustningen.

**5.4 PRODUKTENS LIVSLÄNGD:** Fallskyddssystemets livslängd avgörs av arbetsförhållanden och underhåll. Den får användas så länge den uppfyller besiktningsskraven.

## 6.0 UNDERHÅLL, SERVICE och FÖRVARING


**6.1 RENGÖRING:** Rengör regelbundet den digitala vinschens metalldelar med en mjuk borste, varmt vatten och mild tvållösning. Se till att tvätta av delarna grundligt med rent vatten.

**6.2 SERVICE:** Endast 3M eller parter med skriftligt godkännande från 3M får reparera utrustningen. Ta systemet ur bruk och kontakta 3M för utbyte eller reparation om den digitala vinschen har utsatts för fallstoppkraft eller vid besiktning visar tecken på osäkert eller defekt tillstånd.

**6.3 FÖRVARING OCH TRANSPORT:** Förvara vinschen och tillhörande fallskyddsutrustning som inte används på sval, torr och ren plats skyddad mot direkt solljus. Undvik platser där det kan finnas kemiska ångor. Kontrollera komponenterna noggrant efter långvarig förvaring.

## 7.0 ETIKETTER OCH MÄRKNINGAR

Etiketter på den digitala vinschen illustreras i figur 16. Etiketter som inte är helt läsliga ska bytas ut. Följande information finns på varje etikett:

Ⓐ	 Läs alla instruktioner. 1) Tillverkningsdatum 2) Satsnummer 3) Modellnummer 4) Längd
Ⓑ	10 000 varv
Ⓒ	Instruktionsetikett för digital vinsch



**Tabell 2 – Besiktning- och underhållslogg**

Besiktningensdatum:		Besiktning utförd av:	
Komponenter:	Besiktning: (Se avsnitt 5 avseende besiktningintervall)	Användare	Kompetent person <sup>1</sup>
Digital vinsch (figur 2)	Kontrollera alla skruvar, bultar och muttrar. Se till att de är säkert monterade och åtdragna. Kontrollera om någon bult, mutter eller annan del saknas, har bytts ut eller förändrats på något sätt. Besikta lock och höljen. Säkerställ att de inte har sprickor, hack, korrosion eller andra skador.	<input type="checkbox"/>	<input type="checkbox"/>
Etiketter (figur 15)	Kontrollera att alla etiketter är ordentligt fästa och läsbara.	<input type="checkbox"/>	<input type="checkbox"/>
Fallskyddsutrustning	Ytterligare fallskyddsutrustning som används med produkten ska installeras och inspekteras enligt tillverkarens anvisningar.	<input type="checkbox"/>	<input type="checkbox"/>
Vevhandtagets skruvar	Den borttagbara vevarmen måste låsa in i bägge driftnaven och vara fri från sprickor, bucklor och annan skada. Kontrollera att varje handtag på vevarmen sitter fast tätt. Använd Loctite 262 eller motsvarande gänglåsning på ankarskruvarna om det behövs för att de skall sitta tätt. Använd endast om vevarmen är fullt fungerande.	<input type="checkbox"/>	<input type="checkbox"/>
Klättherake	Klättheraken får inte vara skadad, trasig, skev eller ha några vassa kanter, sprickor, slitna delar eller korrosion. Se till att klättheraken fungerar ordentligt. Hakklaffen måste vara fritt rörlig och låsas vid stängning. Haken måste kunna snurra fritt.	<input type="checkbox"/>	<input type="checkbox"/>
Bromsslitageindikator (figur 11A)	Inspektera bromsslitageindikatorn som sitter på mitten av 4:1-driftnavet. Om indikatorn befinner sig i det röda området ska du ta vinschen ur drift och skicka den till 3M eller en auktoriserad reparatör.	<input type="checkbox"/>	<input type="checkbox"/>
Digital mätare (figur 11B)	Om den digitala mätaren överstiger 10 000 varv efter den senaste fabrikksservicen som antecknats i besiktningensloggen ska du skicka vinschen till 3M eller till en auktoriserad reparatör för service.	<input type="checkbox"/>	<input type="checkbox"/>
Kabelbrister	Besikta kabelns hela längd med början från kroken. Använd alltid skyddshandskar vid besiktning av kabeln. Inspektera kabeln efter skada genom att låta den passera händer försedda med skyddshandskar, böj den då och då för att exponera skada. Besikta med avseende på öglor, hack, klämda eller brända områden, korrosion eller andra skador. Kabeln med allvarlig skada måste tas ur bruk.	<input type="checkbox"/>	<input type="checkbox"/>
Syntetiskt rep	Besikta med avseende på koncentrerat slitage, nötta slingor, trasiga garn, eller hack. Linan måste vara fri från knutar, tyngre smuts- och färgansamlingar, och rostfläckar genom hela längden. Linan måste vara fri från ultravioletta skador, som indikeras av avfärgning och förekomsten av stickor och flisor på repets yta. Alla ovanstående faktorer reducerar repstyrka. Skadat eller på annat sätt tveklaktigt rep måste bytas ut av auktoriserad reparatör.	<input type="checkbox"/>	<input type="checkbox"/>
Rep	Kontrollera att repet är ordentligt placerat i trumman genom att höja och sänka en last på minst 35 kg (100 lb). Om repet glider under användning ska spänning tillföras till repänden samtidigt som belastningen ökas tills glidningen upphör.	<input type="checkbox"/>	<input type="checkbox"/>

**1 Kompetent person:** En person som kan identifiera befintliga och förutsägbara risker i omgivningen samt hälsovådliga, riskfyllda eller farliga arbetsförhållanden för anställda, och som har befogenhet att vidta omedelbara korrigerande åtgärder för att eliminera sådana risker och förhållanden.









<p align="center"><b>GLOBAL PRODUCT WARRANTY, LIMITED REMEDY AND LIMITATION OF LIABILITY</b></p> <p><b>WARRANTY:</b> THE FOLLOWING IS MADE IN LIEU OF ALL WARRANTIES OR CONDITIONS, EXPRESS OR IMPLIED, INCLUDING THE IMPLIED WARRANTIES OR CONDITIONS OF MERCHANTABILITY OR FITNESS FOR A PARTICULAR PURPOSE.</p> <p>Unless otherwise provided by local laws, 3M fall protection products are warranted against factory defects in workmanship and materials for a period of one year from the date of installation or first use by the original owner.</p> <p><b>LIMITED REMEDY:</b> Upon written notice to 3M, 3M will repair or replace any product determined by 3M to have a factory defect in workmanship or materials. 3M reserves the right to require product be returned to its facility for evaluation of warranty claims. This warranty does not cover product damage due to wear, abuse, misuse, damage in transit, failure to maintain the product or other damage beyond 3M's control. 3M will be the sole judge of product condition and warranty options.</p> <p>This warranty applies only to the original purchaser and is the only warranty applicable to 3M's fall protection products. Please contact 3M's customer service department in your region for assistance.</p> <p><b>LIMITATION OF LIABILITY:</b> TO THE EXTENT PERMITTED BY LOCAL LAWS, 3M IS NOT LIABLE FOR ANY INDIRECT, INCIDENTAL, SPECIAL OR CONSEQUENTIAL DAMAGES INCLUDING, BUT NOT LIMITED TO LOSS OF PROFITS, IN ANY WAY RELATED TO THE PRODUCTS REGARDLESS OF THE LEGAL THEORY ASSERTED.</p>	<p align="center"><b>GLOBAL PRODUKTGARANTI, BEGRÆNSEDE RETSMIDLER OG BEGRÆNSNING AF GARANTIFORPLIGTELSESR</b></p> <p><b>GARANTI:</b> FØLGENDE ERSTATTER ALLE GARANTIER ELLER BETINGELSER, UDBTRYKKELIGE ELLER UNDERFORSTÅEDE, HERUNDER DE UNDERFORSTÅEDE GARANTIER ELLER BETINGELSER FOR SALGBARHED ELLER EGNETHED TIL ET SPECIFIKT FORMÅL.</p> <p>Bortset fra hvad der sikres ved gældende love, er 3M's produkter til faldsikring omfattet af en garanti mod fabriksdefekter i den håndværksmæssige udførelse og materialer i en periode på et år fra installationsdatoen eller den første ejers ibrugtagningsdato.</p> <p><b>BEGRÆNSEDE RETSMIDLER:</b> Ved skriftlig henvendelse til 3M vil 3M reparere eller erstatte ethvert produkt, der af 3M vurderes at have en fabriksdefekt i den håndværksmæssige udførelse eller materialer. 3M forbeholder sig ret til at kræve produktet returneret til dets anlæg for at vurdere krav om garanti. Denne garanti dækker ikke skade på produktet slid, misbrug, forkert brug, transportskade, manglende vedligeholdelse af produktet eller anden skade uden for 3M's kontrol. 3M vil alene fastslå produktets tilstand og mulighederne for garanti.</p> <p>Denne garanti gælder kun for den oprindelige køber og er den eneste garanti gældende for 3M's produkter til faldsikring. Kontakt venligst 3M's kundeserviceafdeling i dit område for at få hjælp.</p> <p><b>BEGRÆNSNING AF GARANTIFORPLIGTELSESR:</b> I DEN UDSTRÆKNING DET TILLADES AF LOKALE LOVE ER 3M IKKE ANSVARLIG FOR NOGEN INDIREKTE, TILFÆLDIGE, SPECIELLE ELLER PÅFØLGENDE SKADER, HERUNDER MÅEN IKKE BEGRÆNSET TIL TAB AF FORTJENESTE, DER PÅ NOGEN MÅDE ER RELATERET TIL PRODUKTERNE UANSET DEN UDLAGTE JURIDISKE TEORI.</p>
<p align="center"><b>GLOBALE PRODUKTGARANTIE, BESCHRÄNKTES RECHTSMITTEL UND HAFTUNGSBESCHRÄNKUNG</b></p> <p><b>GARANTIE:</b> FOLGENDES GILT STELLVERTRETEND FÜR ALLE GARANTIEN ODER BEDINGUNGEN, EINSCHLIESSLICH STILLSCHWEIGENDE ANGENOMMENER GARANTIEN ODER BEDINGUNGEN HINSICHTLICH DER TAUGLICHKEIT ODER EIGNUNG FÜR EINEN BESTIMMTEN ZWECK.</p> <p>Soweit gesetzlich nicht anders vorgeschrieben, werden bei 3M-Produkten für die Absturzrisikofür werksseitige Mängel bei Verarbeitung und Material für einen Zeitraum von einem Jahr ab dem Datum der Installation oder der erstmaligen Benutzung durch den ursprünglichen Eigentümer garantiert.</p> <p><b>BESCHRÄNKTES RECHTSMITTEL:</b> Nach schriftlicher Mitteilung an 3M wird 3M jedes Produkt ersetzen oder austauschen, bei dem durch 3M ein werksseitiger Material- oder Verarbeitungsfehler festgestellt wird. 3M behält sich das Recht vor, die Rücksendung des Produkts an das Werk zur Beurteilung der Garantieansprüche zu verlangen. Unter dieser Garantie sind keine Schäden am Produkt gedeckt, die auf Verschleiß, Missbrauch, Transportschäden, Versäumnis der Instandhaltung des Produkts oder sonstige außerhalb der Kontrolle von 3M liegende Schäden zurückzuführen sind. 3M trifft allein die Entscheidung über Produktzustand und Garantieoptionen.</p> <p>Diese Garantie gilt ausschließlich für den ursprünglichen Käufer und ist die einzige, die für Absturzrisikofür werksseitige Mängel bei Verarbeitung und Material für einen Zeitraum von einem Jahr ab dem Datum der Installation oder der erstmaligen Benutzung durch den ursprünglichen Eigentümer garantiert.</p> <p><b>HAFTUNGSBESCHRÄNKUNG:</b> SOWEIT NACH GELTENDEM RECHT ZULÄSSIG, IST 3M NICHT HAFTBAR FÜR UNMITTLBARE, MITTELBARE, BESONDERE SCHÄDEN ODER FOLGESCHÄDEN JEDER ART, EINSCHLIESSLICH VON VERLUST VON GEWINN, DER IM ZUSAMMENHANG MIT DEN PRODUKTEN ENTSTEHT, UNGEACHTET DER ANGEFÜHRTEN RECHTSTHEORIE.</p>	<p align="center"><b>GARANTÍA GLOBAL DE PRODUCTO, COMPENSACIÓN LIMITADA Y LIMITACIÓN DE RESPONSABILIDAD</b></p> <p><b>GARANTÍA:</b> LAS SIGUIENTES DISPOSICIONES PREVALECEÁN SOBRE CUALQUIER GARANTÍA O CONDICIÓN, EXPRESA O IMPLÍCITA, INCLUIDAS LAS CONDICIONES O GARANTÍAS IMPLÍCITAS DE COMERCIABILIDAD O IDONEIDAD PARA UN FIN ESPECÍFICO.</p> <p>Salvo que la legislación local estipule lo contrario, los productos de protección contra caídas de 3M están garantizados contra defectos de fabricación de mano de obra y materiales durante un periodo de un año a partir de la fecha de instalación o del primer uso por parte del propietario original.</p> <p><b>COMPENSACIÓN LIMITADA:</b> Tras recibir comunicación por escrito, 3M reparará o sustituirá los productos que considere que tienen un defecto de fabricación de mano de obra o materiales. 3M se reserva el derecho a solicitar la devolución del producto a sus instalaciones para evaluar las reclamaciones de garantía. Esta garantía no cubre los daños en el producto resultantes de desgaste, mal uso, uso indebido, daños durante el tránsito, mantenimiento inapropiado del producto o daños que escapen al control de 3M. 3M será el único con derecho a determinar el estado del producto y las opciones de garantía.</p> <p>Esta garantía puede ser utilizada únicamente por el comprador original y es la única que cubre los productos de protección contra caídas de 3M. Si necesita ayuda, póngase en contacto con el departamento de servicios de atención al cliente de 3M.</p> <p><b>LIMITACIÓN DE RESPONSABILIDAD:</b> EN LA MEDIDA QUE LO PERMITA LA LEGISLACIÓN LOCAL, 3M NO SE RESPONSABILIZARÁ DE LOS DAÑOS INDIRECTOS, FORTUITOS, ESPECIALES O RESULTANTES, INCLUIDA LA PÉRDIDA DE GANANCIA, RELACIONADOS DE MANERA ALGUNA CON LOS PRODUCTOS, INDEPENDIENTEMENTE DE LOS FUNDAMENTOS LEGALES QUE SE ALEGUEN.</p>
<p align="center"><b>GARANTIE PRODUIT INTERNATIONALE, RECOURS LIMITÉ ET LIMITATION DE LA RESPONSABILITÉ</b></p> <p><b>GARANTIE :</b> LES DISPOSITIONS SUIVANTES SONT PRISES EN LIEU ET PLACE DE TOUTES LES GARANTIES OU CONDITIONS, EXPRESSES OU IMPLICITES, Y COMPRIS LES GARANTIES OU CONDITIONS IMPLICITES DE QUALITÉ MARCHANDE OU D'ADAPTATION À UN USAGE SPÉCIFIQUE.</p> <p>À moins d'un conflit avec une législation locale, les produits antichute de 3M sont garantis contre les défauts de fabrication en usine et de matériaux pendant une période d'un an à compter de la date d'installation ou de la première utilisation par le propriétaire initial.</p> <p><b>RECOURS LIMITÉ :</b> Sur demande écrite à 3M, 3M s'engage à réparer ou remplacer tout produit considéré par 3M comme souffrant d'un défaut de fabrication en usine ou de matériaux. 3M se réserve le droit d'exiger que le produit lui soit retourné pour une évaluation de la réclamation au titre de la garantie. Cette garantie ne couvre pas les dommages du produit liés à l'usure, aux abus, à la mauvaise utilisation, aux dommages liés aux transports, au manque d'entretien du produit ou tout autre dommage indépendant du contrôle de 3M. 3M sera l'unique juge de la condition du produit et des options de la garantie.</p> <p>Cette garantie ne s'applique qu'au propriétaire initial et elle constitue l'unique garantie s'appliquant aux produits antichute de 3M. Veuillez contacter le service à la clientèle 3M de votre région pour obtenir de l'assistance.</p> <p><b>LIMITATION DE LA RESPONSABILITÉ :</b> DANS LES MESURES PERMISES PAR LA LÉGISLATION LOCALE, 3M N'EST PAS RESPONSABLE POUR TOUT DOMMAGE INDIRECT, ACCESSOIRE, SPÉCIFIQUE OU CONSÉCUTIF, Y COMPRIS, MAIS SANS S'Y LIMITER, LA PERTE DE PROFITS, LIÉE DE QUELQUE MANIÈRE QUE CE SOIT AUX PRODUITS, MALGRÉ LA THÉORIE JURIDIQUE REVENDIQUÉE.</p>	<p align="center"><b>GARANTIE INTERNATIONALE DU PRODUIT, RECOURS LIMITÉ ET LIMITATION DE RESPONSABILITÉ</b></p> <p><b>GARANTIE :</b> CE QUI SUIVIT REMPLACE TOUTES LES GARANTIES OU CONDITIONS, EXPRESSES OU IMPLICITES, Y COMPRIS LES GARANTIES OU LES CONDITIONS IMPLICITES RELATIVES À LA QUALITÉ MARCHANDE ET À L'ADAPTATION À UN USAGE PARTICULIER.</p> <p>Sauf disposition contraire de la loi, les produits de protection antichute 3M sont garantis contre tout défaut de fabrication en usine et de matériaux pour une période d'un (1) an à compter de la date d'installation ou de la première utilisation par le propriétaire initial.</p> <p><b>RECOURS LIMITÉ :</b> Moyennant un avis écrit à 3M, 3M réparera ou remplacera tout produit présentant un défaut de fabrication en usine ou de matériaux, tel que déterminé par 3M. 3M se réserve le droit d'exiger le retour du produit dans ses installations afin d'évaluer la réclamation de garantie. Cette garantie ne couvre pas les dommages au produit résultant de l'usure, d'un abus ou d'une mauvaise utilisation, les dommages subis pendant l'expédition, le manque d'entretien du produit ou d'autres dommages en dehors du contrôle de 3M. 3M jugera seul de l'état du produit et des options de garantie.</p> <p>Cette garantie s'applique uniquement à l'acheteur initial et est la seule garantie applicable aux produits de protection antichute de 3M. Veuillez communiquer avec le service à la clientèle de 3M de votre région pour obtenir de l'aide.</p> <p><b>LIMITATION DE RESPONSABILITÉ :</b> DANS LES LIMITES PRÉVUES PAR LES LOIS LOCALES, 3M NE SERA TENU POUR RESPONSABLE DE TOUT DOMMAGE INDIRECT, ACCESSOIRE, SPÉCIFIQUE OU CONSÉCUTIF INCLUANT, SANS S'Y LIMITER, LA PERTE DE PROFIT, LIÉS DE QUELQUE MANIÈRE AUX PRODUITS, QUELLE QUE SOIT LA THÉORIE LÉGALE INVOQUÉE.</p>
<p align="center"><b>GARANZIA GLOBALE SULL PRODOTTTO, RIMEDIO LIMITATO E LIMITAZIONE DI RESPONSABILITÀ</b></p> <p><b>GARANZIA:</b> LA SEGUENTE GARANZIA SOSTITUISCE TUTTE LE GARANZIE O CONDIZIONI, ESPRESSE O IMPLICITE, COMPRESSE LE GARANZIE O CONDIZIONI IMPLICITE DI COMMERCIALITÀ O IDONEITÀ PER UN PARTICOLARE SCOPO.</p> <p>Salvo ove diversamente specificato dalle leggi locali, i prodotti di protezione anticaduta 3M sono garantiti da difetti di fabbricazione e dei materiali per un periodo di un anno dalla data di installazione o di primo utilizzo da parte del proprietario originale.</p> <p><b>RIMEDIO LIMITATO:</b> previa comunicazione scritta a 3M, 3M riparerà o sostituirà qualsiasi prodotto in cui 3M avrà individuato un difetto di fabbricazione o dei materiali. 3M si riserva il diritto di richiedere la restituzione del prodotto all'impianto per la valutazione della richiesta di risarcimento in garanzia. La presente garanzia non copre i danni al prodotto causati da usura, abuso, utilizzo errato, trasporto o mancata manutenzione del prodotto o altri danni avvenuti fuori dal controllo di 3M. 3M è la sola che potrà giudicare le condizioni del prodotto e le opzioni di garanzia.</p> <p>La presente garanzia è valida solo per l'acquirente originale ed è l'unica applicabile ai prodotti di protezione anticaduta 3M. Per assistenza, contattare il Servizio Clienti di 3M della propria area.</p> <p><b>LIMITAZIONE DI RESPONSABILITÀ:</b> NELLA MISURA CONSENTITA DALLE LEGGI LOCALI, 3M NON RISPONDE DI EVENTUALI DANNI INDIRETTI, INCIDENTALI, SPECIALI O CONSEQUENZIALI COMPRESI, SENZA LIMITAZIONE, DANNI PER PERDITA DI PROFITTO, IN QUALSIASI MODO COLLEGATI AI PRODOTTI INDIPENDENTEMENTE DALLA TEORIA LEGALE ASSERITA.</p>	<p align="center"><b>WERELDWIJDE PRODUCTGARANTIE, BEPERKTE VERHAALSMOGELIJKHEID EN BEPERKING VAN AANSPRAKELIJKHEID</b></p> <p><b>GARANTIE:</b> DE VOLGENDE BEPALING VERVANGT ALLE GARANTIES OF VOORWAARDEN, EXPLICIET OF IMPLICIET, INCLUSIEF DE IMPLICIETE GARANTIES OF VOORWAARDEN VAN VERKOOPBAARHEID OF GESCHIKTHEID VOOR EEN BEPAALD DOEL.</p> <p>Tenzij anders is bepaald door lokale wetgeving, zijn valbeschermingsproducten van 3M voorzien van een garantie op fabriksfouten door fabricage- en materiaalgebreken gedurende een periode van één jaar na de datum van installatie of het eerste gebruik door de oorspronkelijke eigenaar.</p> <p><b>BEPERKTE VERHAALSMOGELIJKHEID:</b> Na schriftelijke kennisgeving aan 3M zal 3M eender welk product repareren of vervangen waarvan 3M heeft vastgesteld dat het een fabriksfout heeft door een fabricage- of materiaalgebrek. 3M behoudt zich het recht voor om te eisen dat het product naar zijn vestiging wordt gereturneerd om garantieanspraken te beoordelen. Deze garantie is niet van toepassing op productschade door slijtage, oneigenlijk gebruik, misbruik, transportschade, nalatigheid bij onderhoud van het product of andere schade waarvoor 3M geen controle heeft. 3M zal als enige oordelen over de toestand van het product en garantieopties.</p> <p>Deze garantie is alleen van toepassing op de oorspronkelijke koper en is de enige garantie die van toepassing is op valbeschermingsproducten van 3M. Neem contact op met de klantendienst van 3M voor uw regio als u assistentie wenst.</p> <p><b>BEPERKING VAN AANSPRAKELIJKHEID:</b> VOOR ZOVER TOEGESTAAN DOOR LOKALE WETGEVING, IS 3M NIET AANSPRAKELIJK VOOR ENIGE INDIREKTE, INCIDENTELE, SPECIALE OF GEVOLGSCHADE, INCLUSIEF, MAAR NIET BEPERKT TOT, WINSTVERLIES, DIE OP ENIGE WIJZE VERBAND HOUDT MET DE PRODUCTEN, ONGEACHT DE RECHTSLEER DIE WORDT AANGEHAALD.</p>
<p align="center"><b>GARANTIA GLOBAL DO PRODUTO, REPARAÇÃO LIMITADA E LIMITAÇÃO DE RESPONSABILIDADE</b></p> <p><b>GARANTIA:</b> A SEGUINTE É FEITA EM LUGAR DE TODAS AS GARANTIAS OU CONDIÇÕES, EXPRESAS OU IMPLÍCITAS, INCLUINDO AS GARANTIAS OU CONDIÇÕES DE COMERCIALIZAÇÃO OU ADEQUAÇÃO A UM DETERMINADO FIM.</p> <p>Salvo disposição em contrário pelas leis locais, os produtos de proteção contra quedas da 3M têm garantia contra defeitos de fábrica, quer no fabrico, quer nos materiais, por um período de um ano, a partir da data de instalação ou da primeira utilização pelo proprietário original.</p> <p><b>REPARAÇÃO LIMITADA:</b> Após a notificação por escrito à 3M, a 3M irá reparar ou substituir qualquer produto que a 3M determinar ter um defeito de fábrica no fabrico ou nos materiais. A 3M reserva-se o direito de exigir que o produto seja devolvido à sua instalação para avaliação das solicitações de garantia. Esta garantia não cobre danos ao produto devidos ao desgaste, abuso, mau uso, danos durante o transporte, falha na manutenção do produto ou outros danos fora do controle da 3M. A 3M será o único juiz da condição do produto e opções de garantia.</p> <p>Esta garantia aplica-se somente ao comprador original e é a única garantia aplicável aos produtos de proteção contra quedas da 3M. Entre em contacto com o departamento de atendimento ao cliente da 3M na sua área para obter assistência.</p> <p><b>LIMITAÇÃO DE RESPONSABILIDADE:</b> NA MEDIDA DO PERMITIDO PELAS LEIS LOCAIS, A 3M NÃO SE RESPONSABILIZA POR QUAISQUER DANOS INDIRETOS, INCIDENTAIS, ESPECIAIS OU CONSEQUENTES, INCLUINDO, MAS NÃO SE LIMITANDO À PERDA DE LUCROS DE ALGUMA FORMA RELACIONADA COM OS PRODUTOS, INDEPENDENTEMENTE DA BASE LEGAL INVOCADA.</p>	<p align="center"><b>GARANTIA GLOBAL DE PRODUCTO, RECURSO LIMITADO E LIMITAÇÃO DE RESPONSABILIDADES</b></p> <p><b>GARANTIA:</b> OS SEGUINTE TERMOS SUBSTITUEM TODAS AS GARANTIAS OU CONDIÇÕES, EXPRESAS OU IMPLÍCITAS, INCLUINDO AS GARANTIAS OU CONDIÇÕES DE COMERCIALIZAÇÃO OU ADEQUAÇÃO PARA UM FIM ESPECÍFICO.</p> <p>A menos que o contrário seja estipulado por leis locais, os produtos de proteção contra quedas da 3M possuem garantia contra defeitos de fábrica na fabricação e nos materiais por um período de um ano a partir da data da instalação ou do primeiro uso por parte do proprietário original.</p> <p><b>RECURSO LIMITADO:</b> mediante aviso por escrito à 3M, a 3M reparará ou substituirá qualquer produto que a 3M determine que tenha um defeito de fábrica na fabricação ou nos materiais. A 3M reserva-se o direito de exigir que o produto seja devolvido à sua instalação para a avaliação das reclamações de garantia. Esta garantia não cobre danos ao produto resultantes de desgaste, abuso, uso inadequado, danos durante o transporte, falhas na manutenção do produto ou outros danos que estejam fora do controle da 3M. A 3M será a única a poder avaliar as condições do produto e as opções de garantia.</p> <p>Esta garantia aplica-se apenas ao comprador original e é a única garantia que se aplica a produtos de proteção contra quedas da 3M. Entre em contato com o departamento de atendimento ao cliente da 3M de sua região para obter assistência.</p> <p><b>LIMITAÇÃO DE RESPONSABILIDADE:</b> DENTRO DOS LIMITES PERMITIDOS POR LEIS LOCAIS, A 3M NÃO SERÁ RESPONSÁVEL POR QUAISQUER DANOS INDIRETOS, INCIDENTAIS, ESPECIAIS OU CONSEQUENTES, INCLUINDO, MAS SEM SE LIMITAR A PERDA DE LUCROS, DE ALGUMA FORMA RELACIONADOS A PRODUTOS, INDEPENDENTEMENTE DA TEORIA JURÍDICA ALEGADA.</p>

<p align="center"><b>GLOBÁLNA ZÁRUKA NA PRODUKTY, OBMEDZENÁ NÁPRAVA A OBMEDZENIE ZODPOVEDNOSTI</b></p> <p><b>ZÁRUKA:</b> NASLEDUJÚCA ZÁRUKA NAHRÁDZA VŠETKY VÝSLOVNÉ ALEBO IMPLIKOVANÉ ZÁRUKY A PODMIENKY VRÁTANE IMPLIKOVANÝCH ZÁRUK A PODMIENOK PREDAJNOSTI ALEBO VHODNOSTI NA KONKRÉTNY ÚČEL.</p> <p>Pokiaľ miestne právne predpisy neurčujú inak, na ochranné prostriedky proti pádu spoločnosti 3M sa vzťahuje záruka na chyby spracovania a materiálov z výroby po dobu jedného roka od dátumu montáže alebo prvého použitia pôvodným vlastníkom.</p> <p><b>OBMEDZENÁ NÁPRAVA:</b> Na základe písomného oznámenia odoslaného spoločnosti 3M zaistí spoločnosť 3M opravu alebo výmenu akéhokoľvek produktu, ktorý uzná za chybný z výroby v súvislosti so spracovaním alebo materiálmi. Spoločnosť 3M si vyhradzuje právo požadovať vrátenie produktu do závodu na posúdenie nárokov na záručné krytie. Táto záruka nepokrýva poškodenie produktov spôsobené opotrebovaním, zneužívaním, nesprávnym používaním, pri prevoze, nevykonávaním údržby produktu či iné poškodenie mimo dosah kontroly spoločnosti 3M. Spoločnosť 3M bude výhradným posudzovateľom stavu produktu a možností záruky.</p> <p>Táto záruka sa vzťahuje iba na pôvodného nákupecu a ide o jedinú záruku, ktorú možno uplatniť na ochranné prostriedky proti pádu spoločnosti 3M. Požiadajte o pomoc oblastné oddelenie služieb zákazníkom spoločnosti 3M.</p> <p><b>OBMEDZENIE ZODPOVEDNOSTI:</b> SPOLOČNOSŤ 3M NENESIE DO MIERY POVOLENEJ MIESTNYMI PRÁVNymi PREDPISMI ŽIADNU ZODPOVEDNOSŤ ZA NIJAKÉ NEPRIAME, NÁHODNÉ, VÝNIMOČNÉ ANI NÁSLEDNÉ POŠKODENIA (VRÁTANE UŠLYCH ZISKOV) SÚVISIACE S PRODUKTMI, A TŇO BEZ OHLADU NA PREDSAZOVANÚ PRÁVNÚ TEÓRIU.</p>	<p align="center"><b>GLOBAL PRODUKTGARANTI, BEGRÄNSAD KOMPENSATION OCH BEGRÄNSAD ANSVARSSKYLDIGHET</b></p> <p><b>GARANTI:</b> FÖLJANDE GÄLLER SOM ERSÄTTNING FÖR ALLA GARANTIER ELLER VILLKOR, UTTRYCKLIGA ELLER UNDERFÖRSTÄDDA, INKLUSIVE UNDERFÖRSTÄDDA GARANTIER ELLER VILLKOR FÖR SÄLJBARHET ELLER LÄMPLIGHET FÖR ETT VISST ÄNDAMÅL.</p> <p>Såvida inte annat stipuleras i lokala lagar, garanteras 3M:s fallskyddsprodukter mot fabriktionsfel avseende tillverkning och material under en period av ett år från datum för ursprunglig ägares installation eller första användning.</p> <p><b>BEGRÄNSAD KOMPENSATION:</b> Efter skriftlig avisering till 3M, kommer 3M att reparera eller byta ut varje produkt, som av 3M fastställts vara behäftad med fabriktionsfel vad gäller tillverkning eller material. 3M förbehåller sig rätten att kräva att produkt returneras till företagets anläggning för utvärdering av garantianspråk. Denna garanti omfattar inte produktskada till följd av slitage, felaktig användning, missbruk, skada under transport, underlåtenhet att sköta produkten eller annan skada utom 3M:s kontroll. 3M är ensam bedömare av produktskick och garantialternativ.</p> <p>Denna garanti avser enbart den ursprunglige köparen och är den enda garanti som gäller för 3M:s fallskyddsprodukter. Kontakta 3M:s kundtjänstavdelning i din region för assistans.</p> <p><b>BEGRÄNSNING AV ANSVARSSKYLDIGHET:</b> I DEN OMFATTNING SOM TILLÄTS AV LOKALA LAGAR, ANSVARAR 3M INTE FÖR NÅGRA INDIREKTA, OFÖRUTSÄDDA, SPECIELLA ELLER FÖLJDSKADOR, INKLUSIVE MEN INTE BEGRÄNSAT TILL FÖRLUST AV VINSTER, VILKA PÅ NÅGOT SÄTT HÄNFÖRTS TILL PRODUKTERNA, OAVSETT HÄVDAD RÄTTSLIG GRUND.</p>
<p align="center"><b>GLOBÁLIS TERMÉKGARANCIA, KORLÁTOZOTT JÓTÁLLÁS ÉS A FELELŐSSÉG KORLÁTOZÁSA</b></p> <p><b>GARANCIA:</b> EZ A GARANCIA MINDEN KIFEJEZETT VAGY VÉLELMEZETT GARANCIA VAGY FELTÉTEL HELYÉBE LÉP, BELEÉRTVE AZ ELADHATÓSÁGRA ÉS EGY MEGHATÁROZOTT CÉLRA VALÓ ALKALMASSÁGRA VONATKOZÓ VÉLELMEZETT GARANCIÁT VAGY FELTÉTelt IS.</p> <p>Hacsak a helyi jogszabályok másként nem rendelkeznek, a 3M zuhanásgátló termékekre 1 év garanciát biztosítanak anyagi és gyártási hibák esetén, a termékek felszerelésének dátumától vagy az eredeti tulajdonos első használatának napjától számítva.</p> <p><b>KORLÁTOZOTT JÓTÁLLÁS:</b> A 3M írásos értesítésével, a 3M bármely, a 3M által megállapított anyagi és gyártási hibával rendelkező termék javítására vagy cseréjére kötelezi magát. A 3M fenntartja a jogot arra, hogy igényelje a termék visszajuttatását annak gyártási helyére a garanciaigény értékelésének céljából. A garancia nem terjed ki a termék kopására vagy nem megfelelő használata, a szállítási sérülésekre, a fenntartási hiányosságokra vagy egyéb, a 3M-nek nem felróható okok miatt fellépő meghibásodásokra. A 3M saját maga dönti el termék állapotát és garanciális lehetőségeit.</p> <p>Ez a garancia kizárólag az eredeti vásárlóra terjed ki és a 3M zuhanásgátló termékeire ez az egyetlen érvényben lévő garancia. Támogatásért forduljon a 3M regionális ügyfélszolgálati részlegéhez.</p> <p><b>A FELELŐSSÉG KORLÁTOZÁSA:</b> A 3M NEM FELEL SEMMILYEN KÖZVETETT, VÉLETLEN, SPECIÁLIS VAGY KÖVETKEZMÉNYI KÁRÉRT, BELEÉRTVE, DE NEM KIZÁRÓLAG, A PROFITVESZTÉSBŐL SZÁRMAZÓ KÁROKAT, A JOGSZABÁLYOK ÁLTAL BIZTOSÍTOTT KERETEKEN BELÜL A JOGELMÉLETRE VALÓ TEKINTET NÉLKÜL.</p>	



## Fall Protection

### USA

3833 SALA Way  
Red Wing, MN 55066-5005  
Toll Free: 800.328.6146  
Phone: 651.388.8282  
Fax: 651.388.5065  
3Mfallprotection@mmm.com

### Canada

600 Edwards Blvd, Unit #2  
Mississauga, ON L5T 2V7  
Phone: 905.795.9333  
Toll-Free: 800.387.7484  
Fax: 888.387.7484  
3Mfallprotection-ca@mmm.com

### Brazil

Rodovia Anhanguera, km 110  
Sumaré - SP  
CEP: 13181-900  
Brasil  
Phone: 0800-013-2333  
falecoma3m@mmm.com

### Mexico

Av. Santa Fe No. 190  
Col. Santa Fe, Ciudad de Mexico  
CP 01219, Mexico  
Phone: 01 800 120 3636  
3msaludocupacional@mmm.com

### EMEA (Europe, Middle East, Africa)

*EMEA Headquarters:*  
Le Broc Center  
Z.I. 1re Avenue - BP15  
06511 Carros Le Broc Cedex  
France  
Phone: + 33 04 97 10 00 10  
Fax: + 33 04 93 08 79 70  
informationfallprotection@mmm.com

### United Kingdom

3M Centre  
Cain Road  
Bracknell, RG12 8HT  
Phone: 0870 60800 60  
www.3M.co.uk/construction

### Slovakia

Capital Safety Group - Banská  
Bystrica, s.r.o.  
Jegorovova 35  
974 01 Banská Bystrica  
Slovak Republic  
Phone: + 421 (0)47 00 330  
Fax: + 421 (0)47 00 336  
informationfallprotection@mmm.com

### Australia & New Zealand

137 McCredie Road  
Guildford  
Sydney, NSW, 2161  
Australia  
Toll-Free : 1800 245 002 (AUS)  
Toll-Free : 0800 212 505 (NZ)  
3msafetyauocs@mmm.com

### Asia

*Singapore:*  
1 Yishun Avenue 7  
Singapore 768923  
Phone: +65-6450 8888  
Fax: +65-6552 2113  
TotalFallProtection@mmm.com

### China:

38/F, Maxdo Center, 8 Xing Yi Rd  
Shanghai 200336, P R China  
Phone: +86 21 62753535  
Fax: +86 21 52906521  
3MFallProtecton-CN@mmm.com

### Korea:

3M Koread Ltd  
18F, 82 Uisadang-daero,  
Yeongdeungpo-gu, Seoul  
Phone: +82-80-033-4114  
Fax: +82-2-3771-4977  
3msupport.kr@mmm.com

### Japan:

3M Japan Ltd  
6-7-29, Kitashinagawa, Shinagawa-ku,  
Tokyo  
Phone: +81-570-011-321  
Fax: +81-3-6409-5818  
psd.jp@mmm.com

WEBSITE:  
[3M.com/FallProtection](http://3M.com/FallProtection)



DECLARATION OF CONFORMITY:  
[3M.com/FallProtection/DOC](http://3M.com/FallProtection/DOC)

(European Union and United Kingdom)