

# CBAX30 Spring-Return Series Pneumatic Actuators

## Disassembly and Reassembly



*This page intentionally left blank*

# Table of Contents

## Section 1: Introduction

1.1	General Service Information .....	1
1.2	Definitions .....	2
1.3	General Safety Information .....	2
1.4	Bettis Reference Materials .....	3
1.5	Service Support Items .....	3
1.6	Lubrication Requirements .....	3
1.7	General Tool Information .....	3
1.8	Actuator Weight .....	4
1.9	Actuator Storage.....	4
1.10	Actuator Installation .....	4
1.11	Actuator Start-up .....	5
1.12	Actuator Operation .....	6

## Section 2: Actuator Disassembly

2.1	General Disassembly .....	7
2.2	Spring Cylinder Disassembly.....	8
2.3	Housing Disassembly .....	9

## Section 3: Actuator Reassembly

3.1	General Reassembly .....	10
3.2	Housing Reassembly .....	10
3.3	Spring Cylinder Reassembly.....	13

## Section 4: Actuator Testing

4.1	Actuator Testing .....	16
4.2	Return to Service.....	17

## Section 5: Field Conversions

5.1	Fail Mode Reversal (CW to CCW, or CCW to CW) .....	18
-----	--	----

## Section 6: Troubleshooting

6.1	Fault Insertion .....	19
6.2	Operational Test.....	20

## Section 7: Removal and Decommissioning

	Removal and Decommissioning .....	21
--	-----------------------------------	----

**Section 8: Document Revisions**  
Document Revisions ..... 22

**List of Tables**  
List of Tables ..... 23

**Appendix A: List of Drawings**  
List of Drawings ..... 24

# Section 1: Introduction

## 1.1 General Service Information

- 1.1.1 This service procedure is offered as a guide to enable general maintenance to be performed on Bettis™ CBAX30-SR spring-return series actuators. The following is a list of general CBAX30 SR model numbers:

Table 1. CBAX30-SR Model Numbers

MODEL (1)	MODEL (1)	MODEL (1)
CBA730-SR	CBA730-SR-M3	CBA730-SR-M3HW
CBA830-SR	CBA830-SR-M3	CBA830-SR-M3HW
CBA930-SR	CBA930-SR-M3	CBA930-SR-M3HW
CBA1030-SR	CBA1030-SR-M3	CBA1030-SR-M3HW

(1) Also includes actuator models with -10 and -11 as a suffix

---

**NOTE:**

When the actuator model number has “-S” as a suffix then the actuator is special and may have some differences that may not be included in this procedure.

---

- 1.1.2 Normal recommended service interval for this actuator series is five years.

---

**NOTE:**

Storage time is counted as part of the service interval.

---

- 1.1.3 This procedure is applicable with the understanding that all electrical power and pneumatic pressure has been removed from the actuator.
- 1.1.4 Remove all piping and mounted accessories that will interfere with the module(s) that are to be worked on.
- 1.1.5 This procedure should only be implemented by a technically competent technician who should take care to observe good workmanship practices.
- 1.1.6 Numbers in parentheses, ( ) indicate the bubble number (reference number) used on the Bettis assembly drawing and Actuator Parts List.
- 1.1.7 When removing seals from seal grooves, use a commercial seal removing tool or a small screwdriver with sharp corners rounded off.
- 1.1.8 Use a non-hardening thread sealant on all pipe threads.

**⚠ CAUTION**

Apply the thread sealant per the manufacturer’s instructions.

---

- 1.1.9 Bettis recommends that disassembly of the actuator should be done in a clean area on a workbench.

## 1.2 Definitions

### **WARNING**

If not observed, user incurs a high risk of severe damage to actuator and/or fatal injury to personnel.

---

### **CAUTION**

If not observed, user may incur damage to actuator and/or injury to personnel.

---

#### **NOTE:**

Advisory and information comments provided to assist maintenance personnel to carry out maintenance procedures.

---

#### **NOTE:**

This product is only intended for use in large-scale fixed installations excluded from the scope of Directive 2011/65/EU on the restriction of the use of certain hazardous substances in electrical and electronic equipment (RoHS 2).

---

#### **M3:**

Jackscrew or jackscrew assembly

#### **M3HW:**

Jackscrew assembly with handwheel

#### **ES:**

Extended Stop(s)

## 1.3 General Safety Information

- 1.3.1** Products supplied by Bettis, in its “as shipped” condition, are intrinsically safe if the instructions contained within this Service Instruction are strictly adhered to and executed by well trained, equipped, prepared and competent personnel.

### **WARNING**

For the protection of personnel working on Bettis actuators, this procedure should be reviewed and implemented for safe disassembly and reassembly. Close attention should be noted to the WARNINGS, CAUTIONS and NOTES contained in this procedure.

---

### **⚠ WARNING**

This procedure should not supersede or replace any customer's plant safety or work procedures. If a conflict arises between this procedure and the customer's procedures, the differences should be resolved in writing between an authorized customer's representative and an authorized Bettis representative.

#### 1.3.2 Electrostatic Charge

### **⚠ WARNING**

An electrostatic charge risk is present on the actuator surface; in case of cleaning, use only antistatic cloth; in case of maintenance, avoid all rubbing/frictions that could electrostatically charge the equipment.

## 1.4 Bettis Reference Materials

- 1.4.1 CBAX30-SR assembly drawing use part number VA129743.
- 1.4.2 CBBX30-SR-M3HW assembly drawing use part number 129745.

## 1.5 Service Support Items

- 1.5.1 Bettis Service Kit.
- 1.5.2 Commercial leak testing solution.
- 1.5.3 Non-hardening thread sealant.

## 1.6 Lubrication Requirements

- 1.6.1 The actuator should be relubricated at the beginning of each service interval using the following recommended lubricants.

### **NOTE:**

Lubricants other than those listed in step 1.6.2 should not be used without prior written approval of Bettis Product Engineering. The lubricant item number on some assembly drawings is item (5) while the Bettis service kits lubricant item number is item number (500).

- 1.6.2 All temperature services (-50 °F to +350 °F)/(-45.5 °C to 176.6 °C) use Bettis ESL-5 lubricant. ESL-5 lubricant is contained in the Bettis module service kit in tubes and the tubes are marked ESL-4, 5 and 10 lubricant.

## 1.7 General Tool Information

- 1.7.1 All threads on CBAX30-SR series actuators are Inch Unified and NPT.
- 1.7.2 All tools/Hexagons are American Standard inch. Two adjustable wrenches, Allen wrench set, small standard screwdriver with sharp edges rounded off, medium size standard screwdriver, diagonal cutting pliers, external snap ring pliers, flat file, drive ratchet / deep well socket set and torque wrench (up to 2,000 in-lb / 226 Nm).

## 1.8 Actuator Weight

Table 2. Actuator Weight

Actuator Model	Approximate Weight (2)		Actuator Model	Approximate Weight (2)	
	LB	KG		LB	KG
CBA730-SR40 (1)	158	71.7	CBA930-SR40 (1)	195	88.5
CBA730-SR60 (1)	160.5	72.8	CBA930-SR60 (1)	202	91.6
CBA730-SR80 (1)	163	73.9	CBA930-SR80 (1)	206.5	93.7
CBA730-SR100 (1)	164	74.4	CBA930-SR100 (1)	205	93.0
CBA830-SR40 (1)	180	81.6	CBA1030-SR40 (1)	220	99.8
CBA830-SR60 (1)	184.5	83.7	CBA1030-SR60 (1)	225.5	102.3
CBA830-SR80 (1)	188	85.3	CBA1030-SR80 (1)	233.5	105.9
CBA830-SR100 (1)	192.5	87.3	-	-	-

(1) When model has -M3HW add 8 pounds / 3.6 kilograms.

(2) Weight is for bare actuator without accessories or valve adaption.

## 1.9 Actuator Storage

For applications where the actuator is not placed into immediate service, it is recommended that the actuator be cycled with regulated clean/dry pneumatic pressure at least once per month. Indoor storage, if available, is recommended for all actuators. Care should be taken to plug all open ports on actuator and controls to keep out foreign particles and moisture. Actuators should not be stored in an atmosphere that is harmful to resilient seals. Contact factory for extended storage period.

## 1.10 Actuator Installation

- 1.10.1 Since there are many valve and actuator combinations, it is not practical to include detailed instructions for each type. Mountings are designed to be as simple as possible to keep the guess work out of the installation.
- 1.10.2 Actuators that are shipped from the factory with the travel stops adjusted for approximately ninety degree rotation. Generally, it is necessary to make slight travel stop adjustments once the actuator is installed onto the valve. Refer to the valve manufacturer's recommendations for specific requirements. When the valve has internal stops, the actuator should be adjusted at the same points.

---

### NOTE:

The actual "stopping" should be done by the actuator. If the valve does not have internal stops, adjust the actuator to the full open position. Using this as a reference point, rotate the valve closed and adjust to the valve manufacturer's specifications for total rotation.

---

- 1.10.3 Good instrument practices are also recommended. Clean/dry regulated pneumatic pressure is essential for long service life and satisfactory operation. It should be noted that new pneumatic lines often have scale and other debris in them and these lines should be purged of all foreign material.



---

**NOTE:**

Scale and debris can damage control valves, solenoids and seals.

---

## 1.11 Actuator Start-up

### 1.11.1 Prestart-up checks

1. Inspect to ensure the unit has been mounted onto valve properly. Gear flange mounting bolts, stem key, set screw(s) are installed and secured.
2. No tubing damaged or accessories dislodged during the shipping or the installation.
3. Indicated position confirms valve position.
4. All switching valves in normal operating position as per SCHEMATIC / INSTRUCTIONS.

### 1.11.2 Check Connections

1. Pneumatic / hydraulic components connected as per schematic enclosed or in service manual supplied.
2. Pneumatic supply connected to the identified ports.
3. Electrical connection terminals are secured.
4. Wiring as per enclosed diagram or service manual supplied.

**1.11.3** When actuator is first placed into service, it should be cycled with regulated pneumatic pressure. This is necessary because the seals have been stationary, causing them to take a “set”. Therefore, the actuator should be operated through several cycles to exercise the seals so as to achieve a service ready condition.

**1.11.4** The actuator speed of operation is determined by a number of factors includes:

1. Power supply line length
2. Power supply line size
3. Power supply line pressure
4. Control valve and fitting orifice size
5. Torque requirements of the valve
6. Size of the actuator
7. Setting of speed controls
8. Hydraulic manual override (where available)

**1.11.5** Due to the interaction of these variables, it is difficult to specify a “normal” operating time. Faster operating time may be obtained by using one or more of the following:

1. Larger supply lines
2. Larger control valve
3. Higher supply pressure\*
4. Quick exhaust valves

— \* Not to exceed maximum operating pressure of actuator or control components

**1.11.6** Slower operating time may be obtained by using flow control valves to meter the exhaust. Excessive exhaust flow metering may cause erratic operation.

## **1.12 Actuator Operation**

- 1.12.1** Controlled Operation: Controlled operation is accomplished by pressurizing and/or depressurizing the appropriate cylinder inlet(s) of a double-acting. Do not exceed pressures indicated on actuator nameplate.
- 1.12.2** Manual Operation: All pressure must be vented or equalized on both sides of the pneumatic piston prior to manual operation.

## Section 2: Actuator Disassembly

### 2.1 General Disassembly

#### **⚠ WARNING**

It is possible, that the actuator may contain a dangerous gas and/or liquids. Ensure that all proper measures have been taken to prevent exposure or release of these types of contaminants before commencing any work.

#### **⚠ CAUTION**

Pressure applied to the actuator is not to exceed the maximum operating pressure rating listed on the actuator name tag.

#### **NOTE:**

Before starting the general disassembly of the actuator, it is a good practice to operate actuator with the pressure used by the customer during normal operation. Notate and record any abnormal symptoms such as jerky or erratic operation.

- 2.1.1** Remove all operating pressure from actuator, allowing the spring to stroke. The spring will rotate the yoke to its fail position.

#### **NOTE:**

In place of stop screws, the actuator may be equipped with one or two ES (ES = Extended Stops) or one M3/M3HW (6-30) located on outboard end of housing (1-10).

- 2.1.2** Record the settings of stop screw (6-30) / ES (6-30) / M3 jackscrew (6-30) and stop screw (4-30) / ES (4-30) before they are loosened or removed.
- 2.1.3** CBAX30-SR-M3/M3HW:
- 2.1.3.1** Remove retainer ring (12-30) from M3 jackscrew (6-30).
  - 2.1.3.2** Remove groove pin (12-20) from optional hex drive hub or from handwheel (12-10).
  - 2.1.3.3** Remove optional hex drive hub or handwheel (12-10) from M3 jackscrew (6-30).
  - 2.1.3.4** Remove caution tag (12-40) from M3 jackscrew (6-30).
- 2.1.4** Loosen and remove hex nut (6-40) from stop screw (6-30), ES (6-30) or M3 jackscrew (6-30).
- 2.1.5** Remove stop screw (6-30) or ES (6-30) from housing adapter (6-10).

**NOTE:**

CBAX30-SR-M3 or M3HW models the M3 cannot be removed now. The M3 used in these models can be removed later in this procedure using step 2.3.8.

## 2.2 Spring Cylinder Disassembly

**NOTE:**

Review Section 2 steps 2.1.1 through 2.1.5 before proceeding with spring cylinder disassembly.

**⚠ CAUTION**

The spring in CBAX30 Series spring-return actuators are preloaded.

**⚠ WARNING**

Actuator must be disassembled in the following manner:

**2.2.1** Loosen and remove hex nut (4-40) from stop screw (4-30) or from ES (4-30).

**NOTE:**

Stop screw (4-30) or ES (4-30) does not require removal from end cap (4-20) unless replacing with a new part.

**2.2.2** Remove breather (30) from end cap (4-20).

**2.2.3** Remove acorn nut (8-20) and gasket seal (5-60) from center bar assembly (8-10).

**2.2.4** Use a ratchet and socket on the welded nut, located on the housing end of center bar assembly (8-10), rotate center bar assembly (8-10) counterclockwise (CCW). This will cause end cap (4-20) to gradually unscrew from center bar assembly (8-10).

**2.2.5** Continue to rotate center bar assembly (8-10) counterclockwise (CCW) until the spring preload is eliminated. As preload is reduced it may be necessary to keep end cap (4-20) from turning.

**NOTE:**

Hold end cap (4-20) in position with an adjustable wrench.

**2.2.6** After the spring preload is eliminated, unscrew and remove end cap (4-20) from center bar assembly (8-10).

**2.2.7** Remove spring (4-70) from within spring cylinder (4-10).

**2.2.8** Hold torque shaft (1-30) and pull spring cylinder (4-10) away from housing (1-10); slide spring cylinder over piston (4-50) and remove.

**2.2.9** Pull piston (4-50) out of housing (1-10) and carefully slide piston off of center bar assembly (8-10).

---

**NOTE:**

Piston (4-50) is an assembly made up of one roll pin and one yoke pin; do not attempt to disassemble the piston assembly.

---

**2.2.10** On models CBA830-SR, CBA930-SR and CBA1030-SR remove cylinder adapter (4-15).

## 2.3 Housing Disassembly

**2.3.1** Remove center bar assembly (8-10) housing adapter (6-10).

**2.3.2** Remove housing adapter (6-10) from housing (1-10).

**2.3.3** Remove the position indicator (1-50) from torque shaft (1-30).

**2.3.4** Remove retaining ring (2-90) from torque shaft (1-30).

**2.3.5** Remove thrust washer (2-80) and thrust bearing (2-70) from torque shaft (1-30).

**2.3.6** Remove the torque shaft (1-30) by pushing it out one side of housing (1-10).

**2.3.7** Remove yoke key (1-40) from torque shaft (1-30).

**2.3.8** Remove yoke (1-20) from housing (1-10).

**2.3.9** Actuator equipped with a M3 or M3HW mounted in the housing adapter (6-10) complete steps 2.3.9.1 and 2.3.9.2.

**2.3.9.1** Remove retainer ring (7-60) from M3 adapter (6-55).

**2.3.9.2** Remove M3 adapter (6-55) with M3 jackscrew (6-30) from housing adapter (6-10).

**2.3.10** Torque shaft upper bearing (2-30) and lower torque shaft bearing (2-50) are pressed into the housing and should not be removed during routine actuator maintenance.

## Section 3: Actuator Reassembly

### 3.1 General Reassembly

#### CAUTION

Only new seals that are still within the seals expectant shelf life should be installed into the actuator being refurbished.

- 3.1.1 Remove and discard all old seals and gaskets.
- 3.1.2 All parts should be cleaned to remove all dirt and other foreign material prior to inspection.
- 3.1.3 All parts should be thoroughly inspected for excessive wear, stress cracking, galling and pitting. Attention should be directed to threads, sealing surfaces and areas that will be subjected to sliding or rotating motion. Sealing surfaces of the cylinder, torque shaft and center bar assembly must be free of deep scratches, pitting, corrosion and blistering or flaking coating.

#### CAUTION

Actuator parts that reflect any of the above listed characteristics may need replacement with new parts.

- 3.1.4 **INSTALLATION LUBRICATION INSTRUCTIONS:** Use the correct lubrication as defined in Section 1 step 1.6.
  - 3.1.4.1 Before installation coat all moving parts and the thrust washer (8-30) with lubricant.
  - 3.1.4.2 Coat all seals with lubricant, before installing into seal grooves.
- 3.1.5 Torque shaft upper bearing (2-20) and lower bearing (2-50) are not recommended as parts that require field replacement. Consult Houston, Texas Bettis Service Coordinator for “torque shaft upper or lower bearing” replacement information.

### 3.2 Housing Reassembly

#### **NOTE:**

Review Section 3 steps 3.1.1 through 3.1.5 before proceeding with housing reassembly.

In Section 3.2 where the step indicates to “lubricate, coat or apply lubricant”, use lubricant as identified in Section 1 step 1.6 for lubricating the part being installed.

Actuators equipped with M3 jackscrew install M3 per step 3.2.1. Actuators equipped with housing adapter ES or stop screw (6-30) skip step 3.2.1 and continue assembly at step 3.2.2.

---

**3.2.1** M3 Jackscrew Installation:

- 3.2.1.1** Apply a coating of lubricant to outer diameter and inner diameter threads of M3 jackscrew adapter (6-55).
- 3.2.1.2** Coat O-ring seal (7-65) with lubricant and install into outer diameter seal groove located in the M3 jackscrew adapter (6-55).
- 3.2.1.3** Apply a light coating of lubricant to the threads of M3 jackscrew (6-30).
- 3.2.1.4** Install and rotate the M3 jackscrew (6-30) into M3 jackscrew adapter (6-55).

---

**NOTE:**

Rotate the M3 jackscrew into the adapter until the inboard end of the jackscrew is up against the adapter.

- 
- 3.2.1.5** Install M3 jackscrew adapter (6-55) with M3 jackscrew (6-30) into housing adapter (6-10).
  - 3.2.1.6** Install retainer ring (7-60) onto groove in M3 jackscrew adapter (6-55).
  - 3.2.1.7** Install O-ring seal (7-30) onto M3 jackscrew (6-30).

---

**NOTE:**

Move the O-ring seal (7-30) down the M3 jackscrew until it is next to the M3 jackscrew adapter.

- 
- 3.2.1.8** Install hex nut (6-40) onto M3 jackscrew (6-30).

---

**NOTE:**

Rotate the hex nut down the M3 jackscrew until it is next to the M3 jackscrew adapter.

- 
- 3.2.2** Lubricate ES or stop screw (6-30) and install into housing adapter (6-10).
  - 3.2.3** Apply a coating of lubricant to the torque shaft holes located on each side of housing (1-10).
  - 3.2.4** Coat rod wiper seal (2-20) with lubricant and install in the grooves located in the upper torque shaft through hole of housing (1-10).

---

**NOTE:**

The cup of wiper seal will be installed facing down into the housing.

- 
- 3.2.5** Coat U-cup seal (2-40) with lubricant and install into the groove located in the lower torque shaft through hole of housing (1-10) – the inner most groove nearest the yoke (1-20).

---

**NOTE:**

The cup of rod wiper seal will be installed facing into the housing.

---

- 
- 3.2.6** Coat rod wiper (2-60) with lubricant and install into the outer most groove located in the lower torque shaft through hole of housing (1-10).
- 

**NOTE:**

The cup of rod wiper will be installed facing to the outside of housing (1-10).

---

- 3.2.7** Coat yoke (1-20) with lubricant and install into housing (1-10). Apply a generous amount of lubricant to the slots in the arms of yoke (1-20).
- 3.2.8** Insert the yoke key (1-40) into the slot in the torque shaft (1-30).
- 3.2.9** Hold the yoke key (1-40) in position and insert the torque shaft (1-30) into and through housing (1-10) and yoke (1-20).
- 3.2.10** Install thrust bearing (2-70) onto the upper area of torque shaft (1-30).
- 3.2.11** Install thrust washer (2-80) onto the upper area of torque shaft (1-30) on top of thrust bearing (2-70).
- 

**NOTE:**

A new retaining ring (2-90) is provided in the Bettis CBA Service Kit.

---

- 3.2.12** Install the new retaining ring (2-90) into the groove located on the upper area of torque shaft (1-30).
- 

**⚠ CAUTION**

Verify that retaining ring (2-90) is properly seated in the groove of torque shaft (1-30).

---

- 3.2.13** Rotate the torque shaft (1-30) so that the arms of yoke (1-20) point outward.
- 3.2.14** Coat O-ring seal (5-20) with lubricant and install into inner diameter seal groove located in the center bar hole of housing adapter (6-10).
- 3.2.15** Coat thrust washer (8-30) with lubricant and install onto center bar assembly (8-10).
- 

**NOTE:**

Position thrust washer (8-30) up against the center bar assembly weld nut.

---

**⚠ CAUTION**

Verify that the thrust washer (8-30) is well lubricated between the thrust washer (8-30) and the center bar assembly weld nut (8-10).

---

- 3.2.16** Coat entire length of center bar assembly (8-10) with lubricant including the threads.
- 3.2.17** Insert center bar assembly (8-10) into the center hole of housing adapter (6-10). Slide center bar assembly through housing adapter until center bar assembly nut is flush against the housing adapter (6-10).
-



### WARNING

Care should be taken during installation of center bar assembly so as to not scratch it or damage the housing adapter O-ring seal (5-20).

#### NOTE:

Rotate the hex nut down the M3 jackscrew until it is next to the M3 adapter.

- 3.2.18 Recoat center bar assembly (8-10) with lubricant.
- 3.2.19 Coat O-ring seal (7-10) with lubricant and install onto outer diameter flange located on housing adapter end of housing (1-10).
- 3.2.20 Install housing adapter (6-10), with installed center bar assembly (8-10), on to the cylinder adapter end of housing (1-10).
- 3.2.21 Coat one O-ring seal (5-10) with lubricant and install onto outer diameter flange located on cylinder adapter end of housing (1-10).
- 3.2.22 Actuators equipped with cylinder adapter (4-15), models CBA830-SR, CBA930-SR and CBA1030-SR, do steps 3.2.22.1 and 3.2.22.2.
  - 3.2.22.1 Install cylinder adapter (4-15) onto housing flange, with the stepped outer diameter, of cylinder adapter (4-15), facing away from housing (1-10).
  - 3.2.22.2 Install one O-ring seal (5-15) onto stepped diameter of cylinder adapter (4-15).

## 3.3 Spring Cylinder Reassembly

#### NOTE:

Review Section 3 steps 3.1.1 through 3.1.4 before proceeding with spring cylinder reassembly.

In Section 3.3 where the step indicates to “lubricate, coat or apply lubricant”, use lubricant as identified in Section 1 step 1.6 for lubricating the part being installed.

- 3.3.1 Coat all areas of piston (4-50) with lubricant.
- 3.3.2 If removed coat rod bushing (5-50) with lubricant and install into the internal rod bushing groove located in the head of piston (4-50).
- 3.3.3 Coat rod T-seal (5-25) with lubricant and install in the internal seal groove in the head of piston (4-50).
- 3.3.4 Coat piston seal (5-40) with lubricant and install into outer diameter seal groove of piston (4-50).
- 3.3.5 Coat piston bearing (5-45) with lubricant and install into outer diameter bearing groove of piston (4-50).
- 3.3.6 Install bushing (1-60) between the two arms of yoke (1-20).
- 3.3.7 With the piston head facing away from housing (1-10) install piston assembly (4-50) onto center bar assembly (8-10).
- 3.3.8 Carefully slide piston assembly (4-50) along center bar assembly (8-10) until the yoke pin engages the slots of yoke (1-20).

**NOTE:**

While holding the center bar assembly flush against the housing adapter (6-10), push piston assembly (4-50) into housing (1-10) as far as the piston will go.

- 3.3.9** Apply a coating of lubricant to entire bore of spring cylinder (4-10).
- 3.3.10** Spring cylinder (4-10) installation:
  - 3.3.10.1** For CBA830-SR, CBA930-SR and CBA1030-SR models, install the lubricated spring cylinder (4-10) over the piston and up-against the O-ring seal on the stepped diameter flange of cylinder adapter (4-15).
  - 3.3.10.2** CBA730-SR models install the lubricated spring cylinder (4-10) over the piston and up-against the O-ring seal on the flange of housing (1-10).
- 3.3.11** Apply a coat of lubricant to the spring (4-70). Insert the spring into the spring cylinder by carefully sliding the spring into the open spring cylinder until the spring contacts the head of piston (4-50).
- 3.3.12** End cap seal installation:
  - 3.3.12.1** For CBA830 SR, CBA930 SR and CBA1030 SR models, install o ring seal (5-15) onto end cap (4-20).
  - 3.3.12.2** For CBA730 SR models, install O-ring seal (5-10) onto end cap (4-20).
- 3.3.13** If removed, install stop screw (4-30) or ES (4-30) into end cap (4-20).

**NOTE:**

Position spring cylinder (4-10) so that spring tag (4-60) will be adjacent to accessory mounting pads located on the actuator housing.

- 3.3.14** Install end cap (4-20) onto center bar assembly (8-10) by rotating the end cap in a clockwise direction.
- 3.3.15** Position the end cap (4-20) so that the breather port is at the bottom and the stop screw / ES (4-30) is at the top.

**⚠ WARNING**

Do not allow end cap (4-20) to rotate during center bar assembly tightening. The end cap must maintain the position as described in step 3.3.15.

- 3.3.16** Keep end cap (4-20) from turning by holding end cap in position.
- 3.3.17** Using a ratchet and socket on the center bar assembly nut, rotate center bar assembly clockwise (CW). This will cause end cap (4-20) to gradually screw further onto center bar assembly (8-10).
- 3.3.18** Continue to rotate center bar assembly (8-10) clockwise until spring (4-70) is fully compressed, the spring cylinder is seated against the flange of housing (1-10) or adapter (4-15) and end cap (4-20) is properly seated in spring cylinder (4-10).
- 3.3.19** Torque tighten center bar assembly (8-10) to 233 lbf-ft / 316 Nm.
- 3.3.20** Place seal gasket (5-60) on the exposed end of the center bar assembly (8-10).
- 3.3.21** Place acorn nut (8-20) on the exposed end of center bar assembly (8-10) and tighten securely.

- 3.3.22** Install O-ring seal (5-30) onto ES or stop screw (4-30) until it is flush with the end cap (4-20).
- 3.3.23** Install hex nut (4-40) and washer (4-90) onto ES or stop screw (4-30) do not tighten.

---

**NOTE:**

Washer (4-90) is not applicable to the M3HW assembly.

---

- 3.3.24** Adjust all ES, stop screws or M3 jackscrew back to setting recorded in Section 2 step 2.1.2 under General Disassembly. Tighten both stop screw hex nuts (4-40) and (6-40) securely, while holding ES, stop screws or M3 jackscrews in position.
- 3.3.25** M3 hex drive hub or handwheel installation as follows:
  - 3.3.25.1** Install caution tag (12-40) onto M3 jackscrew (6-30).
  - 3.3.25.2** Install hex drive hub (12-10) or handwheel (12-10) onto M3 jackscrew (6-30) and align the “hole” of the drive hub with the “hole” located in the M3 jackscrew.
  - 3.3.25.3** Install groove pin (12-20) into the hex drive hub (12-10) or handwheel (12-10).
  - 3.3.25.4** Install retainer ring (12-30) onto the outboard end of M3 jackscrew (6-30).

## Section 4: Actuator Testing

### 4.1 Actuator Testing

- 4.1.1 **Leak Test - General** - A small amount of leakage may be tolerated. Generally, a small bubble which breaks about three seconds after starting to form is considered acceptable.
- 4.1.2 All areas, where leakage to atmosphere may occur, are to be checked using a commercial leak testing solution.

#### **WARNING**

Pressure is not to exceed the maximum operating pressure rating listed on the serial number tag (20).

- 4.1.3 All leak testing will use the customer normal operating pressure or the actuator name tag normal operating pressure (NOP).

#### **NOTE:**

When testing the actuator use a proper adjusted regulator to apply pressure to the actuator.

- 4.1.4 Before testing for leaks, apply and release the pressure listed in step 4.1.3 to the housing side of the piston. Repeat this cycle approximately five times. This will allow the new seals to seek their service condition.
- 4.1.5 Apply the pressure listed in step 4.1.3 to the housing side of the piston and allow the actuator to stabilize.
- 4.1.6 Apply a leak testing solution to the following areas:
  - 4.1.6.1 Spring cylinder to housing joint on CBA730-SR or spring cylinder to cylinder adapter to housing joints on CBA830-SR, CBA930-SR, and CBA1030-SR actuators.
  - 4.1.6.2 On the out board end of housing (6-10) at the center bar assembly nut. Checks the center bar to housing O-ring seal (5-20).
  - 4.1.6.3 On the out board end of housing (1-10) at the joint of the housing (1-10) and the housing adapter (6-10). Checks the O-ring seal sealing the housing flange to the housing adapter.
  - 4.1.6.4 At the joint between housing adapter (6-10), M3 jackscrew / ES / stop screw (6-30) and hex nut (6-40). Checks M3 jackscrew / ES / stop screw O-ring seal (7-30) and O-ring seal (7-65) when actuator has a housing adapter M3 jackscrew.
  - 4.1.6.5 Both torque shaft (1-30) to housing (1-10) interfaces. Checks wiper seal (2-20), O-ring seal (2-40) and rod wiper (2-60).
  - 4.1.6.6 End cap (4-20) breather (30) port hole. Checks the piston to cylinder seal (5-40) and piston to center bar seal (5-25).
  - 4.1.6.7 Remove pressure from pressure inlet port in the housing (1-10).

- 4.1.7 If an actuator was disassembled and repaired as a result of this procedure, the above leakage test must be performed again.
- 4.1.8 Operational (Functional) Test: This test is used to verify proper function of the actuator.

---

**NOTE:**

This test is to be done off of the valve or when valve stem is not coupled to the actuator torque shaft.

---

- 4.1.8.1 Adjust the pressure regulator to the pressure rating that the customer uses to operate the actuator during normal service.
- 4.1.8.2 Apply the above pressure to the actuator and allow the actuator to stabilize. The actuator should stroke a full 90° travel with the stops properly set.
- 4.1.9 **Shell Pressure Test** - Optional pressure test could be performed on PED certified actuator by applying pressure to both sides of the piston simultaneously for a period of two (2) minutes. If any leakage occurs across a static seal, the unit must be disassembled and the cause of leakage determined and corrected.

 **WARNING**

The actuators main pressure bearing parts will be tested in controlled conditions in accordance with the requirement of PED by pressuring both sides of the piston to avoid damage and over torquing of the actuator components. If further future testing in the field is necessary, Emerson should be contacted for guidance.

---

## 4.2 Return to Service

- 4.2.1 Install breather (30) into end cap (4-20).
- 4.2.2 Install position indicator (1-50) onto the top of torque shaft (1-30).
- 4.2.3 After the actuator is installed back on the valve or the device it is operating all accessories should be hooked up and tested for proper operation and replaced, if found defective.

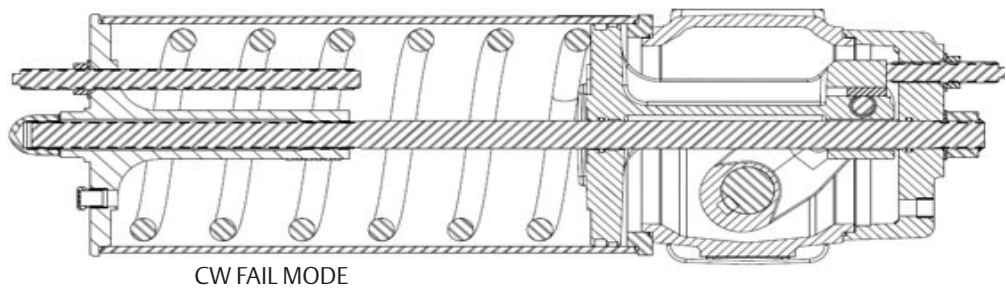
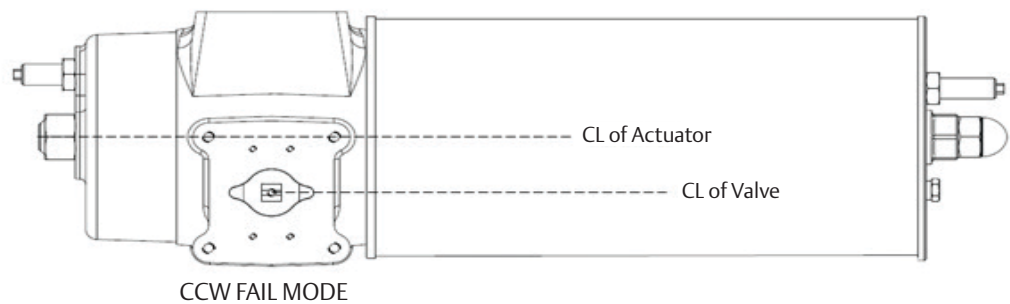
## Section 5: Field Conversions

### 5.1 Fail Mode Reversal (CW to CCW, or CCW to CW)

- 5.1.1 Disassemble actuator. (Refer to Section 2)
- 5.1.2 Converting to CCW:
  - 5.1.2.1 Assemble actuator with spring cylinder assembly on the right side of housing and housing adapter assembly on left side using the orientation below. (Refer to Section 3)
- 5.1.3 Converting to CW:
  - 5.1.3.1 Assemble actuator with cylinder assembly on the left side of housing and housing adapter assembly on right side using the orientation below. (Refer to Section 3)

---

#### Fail Modes



# Section 6: Troubleshooting

## 6.1 Fault Insertion

In the unlikely event of a fault developing, the following Fault Location Table is provided to assist the service engineer to perform troubleshooting. This table is designed to cover as wide a range of Emerson Bettis actuators as possible. Reference to equipment not supplied should be ignored.

**Table3. Fault Location Table**

Symptom	Potential Causes	Remedy
Erratic movement	Irregular supply of operating medium	Check operating medium for consistent supply pressure and correct as necessary
	Inadequate lubrication	Dismantle, relubricate and reassemble
	Worn parts	Dismantle. Visually inspect for significant wear. Actuator replacement may be required
	Defective valve	Consult the valve OEM's documentation
Short stroke	Incorrectly set stops (valve and /or actuator)	Check the position of the travel stops and readjust as necessary
	Hardened grease	Dismantle, remove any hard grease, relubricate and reassemble
	Debris left in the cylinder or housing during maintenance	Disassemble cylinder assembly to remove debris. Reassemble cylinder assembly as necessary
	Defective valve	Consult the valve manufacturer's documentation
Apparent lack of torque	Inadequate supply pressure	Ensure supply pressure is above the minimum operating pressure of the actuator and that output torque produced at supply pressure exceeds valve torque demand
	Incorrect speed control settings	Adjust speed controls to increase flow
	Exhaust port blocked	Remove and clean the exhaust port silencers and replace
	Pipe work blocked, crushed or leaking	Examine the pipe work for blockages, crushed pipe or leakage. Clear or replace as necessary
	Defective controls	Examine the controls, refurbish or renew as necessary. Refer to component manufacturer's documentation
	Defective piston seal	Dismantle the cylinder assembly, remove the defective piston seal. Fit new seal and reassemble
	Defective rod seal	Dismantle the cylinder assembly, remove the defective rod seal. Fit new seal and reassemble
	Defective housing seal	Dismantle the housing assembly, remove the defective seal. Fit new seal and reassemble
	High valve torque or valve seized	Consult the valve OEM documentation

## 6.2 Operational Test

### 6.2.1 Full Stroke Test

The “Full Stroke Test” (“On-line”) must be performed to satisfy the  $PFD_{AVG}$  (average probability of failure on demand) value. The full stroke test frequencies will be defined by the final installer to achieve the defined SIL level.

#### 6.2.1.1 Procedure

**6.2.1.1.1** Stroke the actuator/valve assembly two complete open/close cycles with complete closing of the valve.

**6.2.1.1.2** Verify the open/close cycles functioned correctly (e.g. check locally, or automatically via Logic solver, the correct movement of the actuator/valve).

Upon successful completion of the above described Full Stroke Test procedure, the “Test Coverage” can be considered 99%.

### 6.2.2 Partial Stroke Test (when requested)

The “Partial Stroke Test” (“On-line”) can be performed to improve the  $PFD_{AVG}$  value and to satisfy  $PFD_{AVG}$  (average probability of failure on demand) value. A typical partial stroke value is 15% of the stroke and the recommended test interval is about every one to three months.

#### 6.2.2.1 Procedure

**6.2.2.1.1** Operate the actuator/valve assembly for No° 1 open/close cycles 15% of the stroke.

**6.2.2.1.2** Verify the partial stroke test functioned correctly (e.g. check locally, or automatically via Logic solver, or via the PST system the correct movement of the actuator/valve was 15% of the stroke).

---

#### NOTE:

The above test is only applicable on systems equipped with a partial stroke feature.

---



## Section 7: Removal and Decommissioning

### **WARNING**

Always follow safe work practices remove and disassemble CBA and CBB-Series actuator.

The below basic procedure should not supersede or replace any customer's plant safety or work procedures. If a conflict arises between this procedure and the customer's procedures, the differences should be resolved in writing between an authorized customer's representative and an authorized Emerson/Bettis representative.

### **CAUTION**

Make sure actuator is isolated before removing from valve. Turn OFF the power medium and bleed off all pressure first, including storage tank (if present). Next, bleed off pilot pressure, disconnect: pneumatic pressure supply, pilot tubing and electrical wiring (if equipped).

Before starting the disassembly, a large area should be created around the actuator so to allow any kind of movement.

Separate the parts composing the actuator according to their nature (ex. metallic, and plastic materials, fluids etc.) and send them to differentiated waste collection sites, as provided for by the laws and provisions in force.

- 7.1.1** Drain tanks and remove tubing from actuator. Remove accessories (if equipped) and controls from actuator.
- 7.1.2** Remove all equipment mounted on top of actuator (limit switches, end of stroke valve, and relevant pneumatic/electric connection, etc.)
- 7.1.3** Remove mounting bolts and actuator is ready to be removed from valve. For complete actuator tear down, refer to Section 2 of the manual.

## Section 8: Document Revision

Table 4. Revision Overview

Rev	Date	ECN	Description	By *
A	May 2002	Released	N/A	B. Cornelius
B	April 2007	19527	Updated	L. Ramirez
C	January 2012	VAWCO2292	Updated	N. Mundy
D	August 2015	VAWCO2746	Updated	C. Rico
E	February 2022	N/A	Product Photo Update	N/A
0	April 2022	N/A	Added Warning for Electrostatic Charge	N/A

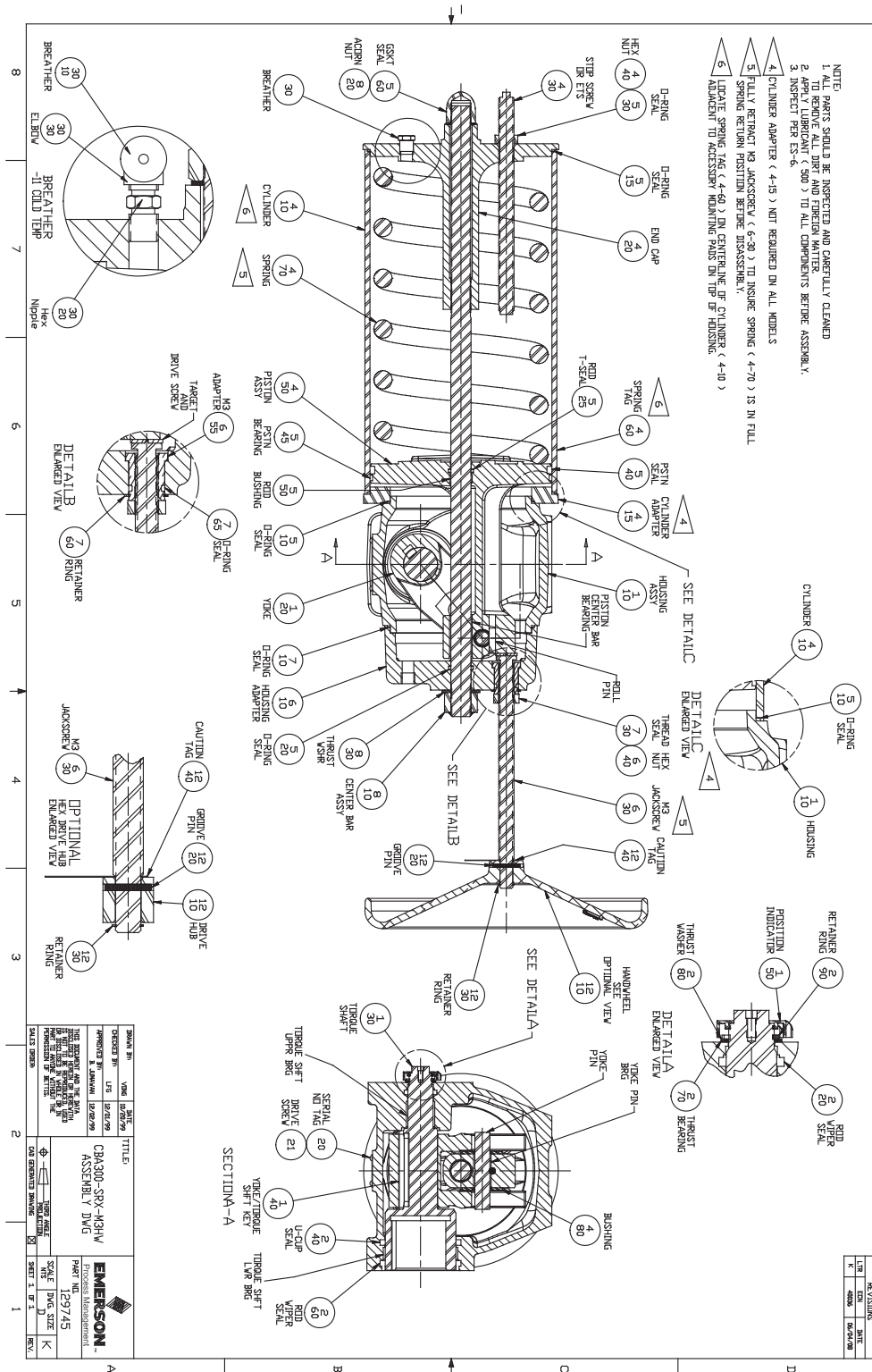
\* Signatures on file Bettis, Houston, Texas

# List of Tables

Table 1	CBAX30-SR Model Numbers.....	1
Table 2	Actuator Weight .....	4
Table 3	Fault Location Table.....	19
Table 4	Revision Overview.....	22



# A.2 Part No. 129745, CBA300-SRX-M3HW Assembly Drawing



**World Area Configuration Centers (WACC) offer sales support, service, inventory and commissioning to our global customers. Choose the WACC or sales office nearest you:**

***NORTH & SOUTH AMERICA***

19200 Northwest Freeway  
Houston TX 77065  
USA  
T +1 281 477 4100

Av. Hollingsworth  
325 Iporanga Sorocaba  
SP 18087-105  
Brazil  
T +55 15 3413 8888

***ASIA PACIFIC***

No. 9 Gul Road  
#01-02 Singapore 629361  
T +65 6777 8211

No. 1 Lai Yuan Road  
Wuqing Development Area  
Tianjin 301700  
P. R. China  
T +86 22 8212 3300

***MIDDLE EAST & AFRICA***

P. O. Box 17033  
Jebel Ali Free Zone  
Dubai  
T +971 4 811 8100

P. O. Box 10305  
Jubail 31961  
Saudi Arabia  
T +966 3 340 8650

24 Angus Crescent  
Longmeadow Business Estate East  
P.O. Box 6908 Greenstone  
1616 Modderfontein Extension 5  
South Africa  
T +27 11 451 3700

***EUROPE***

Holland Fásor 6  
Székesfehérvár 8000  
Hungary  
T +36 22 53 09 50

Strada Biffi 165  
29017 Fiorenzuola d'Arda (PC)  
Italy  
T +39 0523 944 411

For complete list of sales and manufacturing sites, please visit [www.emerson.com/actuationtechnologieslocations](http://www.emerson.com/actuationtechnologieslocations) or contact us at [info.actuationtechnologies@emerson.com](mailto:info.actuationtechnologies@emerson.com)

[www.emerson.com/bettis](http://www.emerson.com/bettis)

VCIOM-13247-EN ©2022 Emerson. All rights reserved.

The Emerson logo is a trademark and service mark of Emerson Electric Co. Bettis™ is a mark of one of the Emerson family of companies. All other marks are property of their respective owners.

The contents of this publication are presented for information purposes only, and while every effort has been made to ensure their accuracy, they are not to be construed as warranties or guarantees, express or implied, regarding the products or services described herein or their use or applicability. All sales are governed by our terms and conditions, which are available on request. We reserve the right to modify or improve the designs or specifications of our products at any time without notice.

**BETTIS™**

