

Features

- 30° angle seat design
- Designed for use with forward acting PB or D Series metal rupture disks
- Angle seat positions disk between the inlet and outlet holder to ensure proper installation
- Refer to the back of this bulletin for available holder mounting configurations
- Materials of construction: Carbon steel and 316. Other materials available upon request
- Sizes 1/2" (13 mm) thru 24" (600 mm) diameters
- ANSI and DIN Flange class and type specific, guards against installing an assembly into mating flanges with a different pressure rating than the rupture disk holder
- Stainless steel safety designed side clips are standard, allowing for pre-assembly of disk into holder
- Flow direction arrows on disk tag and holder provides permanent visual verification that holder assembly is properly oriented in the piping system
- Available options include: gauge tap; nipple and tee; excess flow valve; pressure gauge; J-hook; special facings and coatings



Assembly 7A

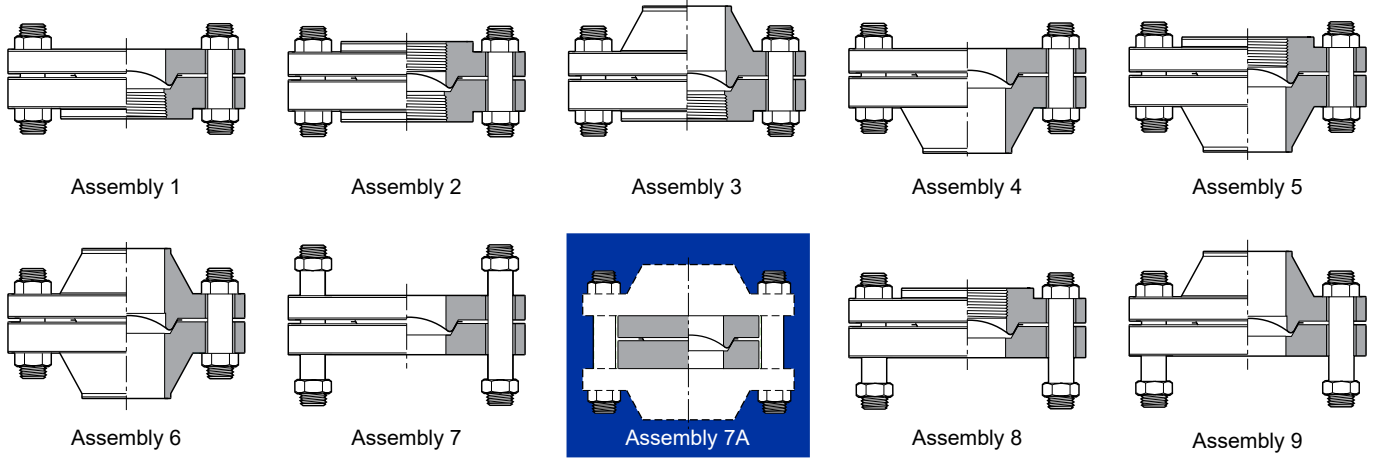
Size	Flange Rating	Standard Lip (SL)	Heavy Duty Lip (HDL)
1/2" - 2"	ASME Class 150, 300, 600	●	
	ASME Class 900, 1500, 2500		●
13 mm - 50 mm	PN10, 16, 25, 40	●	
	PN64, 100		●
3" - 16"	ASME Class 150, 300, 600	●	N/A
80 mm - 400 mm	PN10, 16, 25, 40	●	N/A
18" - 24"	ASME Class 150, 300, 600	N/A	●
450 mm - 600 mm	PN10, 16, 25, 40	N/A	●

Contact factory for any other flange ratings
Note: N/A – Not Available



CAUTION
 If holder is exposed to elevated temperature during normal operation, contact ZOOK for pressure/temperature ratings for holders and flanges.

Bolted Type Specifications



Size	ASME B16.5 Class Flanges	Outside Diameter		Approximate End-To-End Dimensions									
				Assembly Number									
		7A	Others	1	2	3	4	5	6	7	7A	8	9
1/2"	150 300/600	1-3/4" 1-3/4"	3-1/2" 3-3/4"	1-3/8" 1-7/8"	1-3/8" 1-7/8"	2-5/8" 2-7/8"	2-1/2" 2-3/4"	2-5/8" 2-7/8"	3-7/8" 4-1/4"	1-11/16" 1-11/16"	1-11/16" 1-11/16"	1-3/8" 1-7/8"	2-3/4" 3"
3/4"	150 300/600	2-1/8" 2-1/2"	3-7/8" 4-5/8"	1-7/16" 2-3/16"	1-3/8" 2-1/16"	2-13/16" 3-3/16"	2-11/16" 3-1/8"	2-13/16" 3-3/16"	4-1/4" 4-5/8"	1-3/4" 1-3/4"	1-3/4" 1-3/4"	1-7/16" 2-3/16"	3" 3-3/16"
1"	150 300/600	2-1/2" 2-3/4"	4-1/4" 4-7/8"	1-1/2" 2-1/4"	1-1/2" 2-1/4"	3-1/8" 3-1/2"	2-7/8" 3-1/4"	3-1/8" 3-1/2"	4-1/2" 5"	1-3/4" 1-3/4"	1-3/4" 1-3/4"	1-1/2" 2-1/4"	3-1/8" 3-3/8"
1-1/2"	150 300/600	3-1/4" 3-5/8"	5" 6-1/8"	1-3/4" 2-1/8"	1-7/8" 2-1/2"	3-1/2" 3-7/8"	3-1/4" 3-5/8"	3-1/2" 3-7/8"	5" 5-1/2"	1-3/4" 1-3/4"	1-3/4" 1-3/4"	1-3/4" 2-1/8"	3-1/4" 3-5/8"
2"	150 300/600	4" 4-1/4"	6" 6-1/2"	1-7/8" 2-3/8"	2-1/8" 2-3/4"	3-5/8" 4"	3-3/8" 3-3/4"	3-5/8" 4"	5-1/8" 5-5/8"	1-3/4" 1-3/4"	1-3/4" 1-3/4"	1-7/8" 2-3/8"	3-3/8" 3-3/4"
3"	150 300/600	5-1/4" 5-3/4"	7-1/2" 8-1/4"	2-1/8" 3-1/8"	2-1/2" 3-1/2"	4-1/8" 4-5/8"	3-7/8" 4-3/8"	4-1/8" 4-5/8"	5-3/8" 6-3/8"	1-3/4" 1-3/4"	1-3/4" 1-3/4"	2-1/8" 3-1/8"	3-5/8" 4-3/8"
4"	150 300 600	6-3/4" 7" 7-1/2"	9" 10" 10-3/4"	2-3/8" 3-1/4" -	2-3/4" 3-7/8" -	4-1/2" 5" -	4-1/8" 4-3/4" 5-5/8"	4-1/2" 5" -	6-1/8" 6-7/8" 8-1/4"	1-3/4" 1-3/4" 1-3/4"	1-3/4" 1-3/4" 1-3/4"	2-3/8" 3-1/4" -	3-7/8" 4-1/2" 5-1/8"
6"	150 300	8-5/8" 9-3/4"	11" 12-1/2"	- -	- -	- -	4-5/8" 5-1/2"	- -	7-1/8" 7-7/8"	2-1/4" 2-1/4"	2-1/4" 2-1/4"	- -	4-1/2" 5"
8"	150 300	10-7/8" 12"	13-1/2" 15"	- -	- -	- -	5-1/4" 5-5/8"	- -	8-1/8" 8-7/8"	2-1/2" 2-1/2"	2-1/2" 2-1/2"	- -	5-1/8" 5-1/2"
10"	150 300	13-1/4" 14-1/8"	16" 17-1/2"	- -	- -	- -	5-3/8" 6-3/8"	- -	8-1/8" 9-3/8"	2-1/2" 2-1/2"	2-1/2" 2-1/2"	- -	5-1/8" 5-1/2"
12"	150 300	16" 16-1/2"	19" 20-1/2"	- -	- -	- -	5-7/8" 7-1/4"	- -	9-1/8" 10-3/8"	2-9/16" 2-9/16"	2-9/16" 2-9/16"	- -	5-5/8" 6-1/4"
14"	150	17-5/8"	21"	- -	- -	- -	6-1/2"	-	10-1/4"	3"	3"	-	6-1/8"
16"	150	20-1/8"	23-1/2"	- -	- -	- -	6-5/8"	-	10-1/4"	3"	3"	-	6-1/8"
18"	150	21-1/2"	25"	- -	- -	- -	7-1/4"	-	11-1/4"	3-3/16"	3-3/16"	-	6-5/8"
20"	150	23-3/4"	27-1/2"	- -	- -	- -	7-1/2"	-	11-5/8"	3-7/32"	3-7/32"	-	6-7/8"
24"	150	28-1/8"	32"	- -	- -	- -	8"	-	12-1/4"	3-11/32"	3-11/32"	-	7-1/8"

Note: For alternate flanges contact ZOOK



BoltedType_032022

zookdisk.com



SERVING AMERICA, CENTRAL & SOUTH AMERICA
 16809 Park Circle Drive
 Chagrin Falls, Ohio 44022
 United States
 Toll Free: +1 800 543 1043
 Phone: +1 440 543 1010
 E-mail: sales@zookdisk.com

SERVING EUROPE, MIDDLE EAST & AFRICA
 Navigation House, Bridge St.
 Killamarsh, Sheffield, S21 1AL
 United Kingdom
 Phone: +44 (0) 1909 560999
 E-mail: sales.europe@zookdisk.com

SERVING CANADA
 4400 South Service Road
 Burlington, Ontario, L7L 5R8
 Canada
 Toll Free: +1 800 370 6057
 Phone: +1 905 681 2885
 E-mail: sales.canada@zookdisk.com

SERVING ASIA PACIFIC
 Menara LGB TTD1
 Unit 6-3A, Level 6, Menara LGB,
 No. 1, Jalan Wan Kadir,
 Taman Tun Dr. Ismail,
 60000 Kuala Lumpur, Malaysia
 Phone: +603 2706 0098
 E-mail: sales.asia@zookdisk.com

Safety through knowledge and performance.