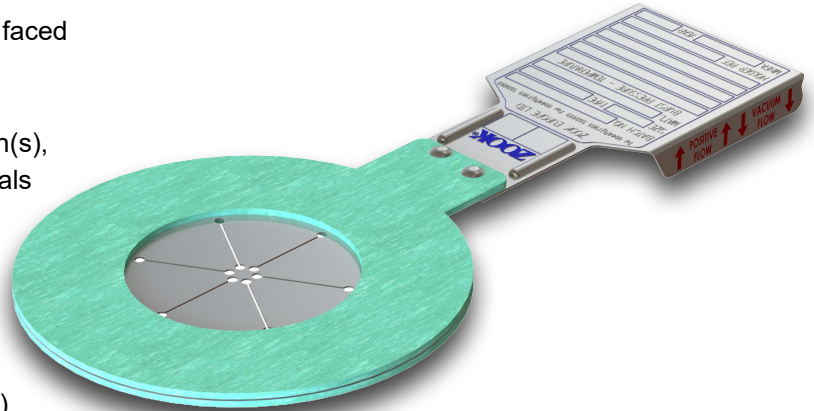


### Features

- State-of-the-art laser slotted metal section
- Available in uni-directional or bi-directional designs
- Mounts between standard ANSI, DIN and JIS raised faced flange bore, or equivalent with same bore diameter
- No disk holder required
- Standard materials of construction: 316 metal section(s), Teflon seal, Compressed fiber gaskets (Other materials available)
- Operating pressures to 50% of the disk's marked burst pressure
- Flange specific O.D. ensures proper disk alignment
- Sizes 1" (25 mm) thru 48" (1200 mm)
- Burst ratings 1 psig (0.07 barg) to 60 psig (4.14 barg)
- Temperature ratings to 500°F (260°C)
- 0% manufacturing range

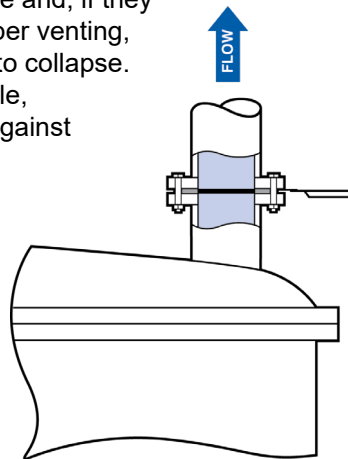


### Options

- Burst Indication
- Teflon Gaskets

### Storage Tank Protection

Storage tanks are made from relatively light gauge materials. This limits their ability to contain pressure and, if they are emptied without proper venting, makes them vulnerable to collapse. ARD Disks provide simple, inexpensive protection against either condition.

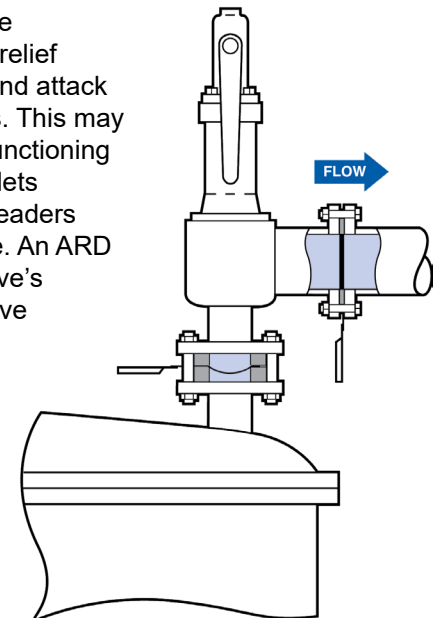


#### CAUTION

Disk size should be at least equal to the size of the flow inlet or outlet connection (whichever is greater) to the tank. Maximum rupture pressure should be no greater than the design pressure or vacuum (whichever is smaller) of the tank. Minimum rupture pressure should be at least double the maximum working pressure or vacuum (whichever is greater) to which the tank will be exposed.

### Relief Valve Protection

Corrosive elements in the atmosphere can enter a relief valve through its outlet and attack the valve's working parts. This may prevent the valve from functioning properly. Valves with outlets connected to common headers are especially vulnerable. An ARD Disk mounted on the valve's outlet flange protects valve components from hostile environments. Consult ZOOK for guidance on applicable code issues related to this application.



#### CAUTION

Disk size should be the same as the outlet flange of the valve. Maximum rupture pressure should be no greater than the set pressure of the valve. Minimum rupture pressure should be at least double the maximum working pressure in the header.

# ARD Series Specifications

## Disk Type Specifications

Disk Type	Materials of Construction	Function	Features	Nominal Thickness
ARD	Gasket/Seal/Cap/Seal/Gasket	Bi-Directional	Bursts at the specified pressure in both directions	1/8" (3.18 mm)
ARD-L	Gasket/Cap/Seal/Gasket	Uni-Directional	Bursts at the specified pressure in one direction	
ARD-S	Gasket/Cap/Seal/Cap/Gasket	Bi-Directional	Bursts at two different set pressures as specified	
ARD-V*	Gasket/Cap/Seal/Support/Gasket	Uni-Directional	Bursts at the specified pressure in one direction, withstands full vacuum	

**Notes:** \*ARD-V series disk has a non-opening vacuum support. Contact ZOOK for flow and free area specifications  
Standard gasket material is non-asbestos compressed fiber. Contact ZOOK for optional materials

## Minimum and Maximum Pressure Ratings psig (barg) @ 72°F (22°C)

Disk Size	ARD-L, ARD-S, ARD-V	ARD	Maximum Burst Rating (All Types)
	Minimum Burst Rating	Minimum Burst Rating	
1"	10	20	60
25 mm	0.690	1.379	4.136
1-1/2"	6	10	60
40 mm	0.414	0.690	4.136
2"	6	7	60
50 mm	0.414	0.483	4.136
2-1/2"	5	6	60
65 mm	0.345	0.414	4.136
3"	4	5	60
80 mm	0.276	0.345	4.136
4"	3	4	60
100 mm	0.207	0.276	4.136
5"	2.5	3	60
125 mm	0.173	0.207	4.136
6"	2	2	60
150 mm	0.138	0.138	4.136
Max.Temp.	500°F (260°C)		

Disk Size	ARD-L, ARD-S, ARD-V	ARD	Maximum Burst Rating (All Types)
	Minimum Burst Rating	Minimum Burst Rating	
8"	1.5	1.6	60
200 mm	0.104	0.111	4.136
10"	1.25	1.25	60
250 mm	0.087	0.087	4.136
12"	1	1	60
300 mm	0.069	0.069	4.136
14"	1	1	60
350 mm	0.069	0.069	4.136
16"	1	1	60
400 mm	0.069	0.069	4.136
18"	1	1	55
450 mm	0.069	0.069	3.792
20"	1	1	50
500 mm	0.069	0.069	3.447
24"	1	1	45
600 mm	0.069	0.069	3.102
Max.Temp.	500°F (260°C)		

Disk Size	ARD-L, ARD-S, ARD-V	ARD	Maximum Burst Rating (All Types)
	Minimum Burst Rating	Minimum Burst Rating	
28"	1	1	40
700 mm	0.069	0.069	2.757
30"	1	1	35
750 mm	0.069	0.069	2.413
32"	1	1	35
800 mm	0.069	0.069	2.413
34"	1	1	30
850 mm	0.069	0.069	2.068
36"	1	1	25
900 mm	0.069	0.069	1.723
40"	1	1	20
1000 mm	0.069	0.069	1.378
44"	1	1	15
1100 mm	0.069	0.069	1.034
48"	1	1	15
1200 mm	0.069	0.069	1.034
Max.Temp.	500°F (260°C)		

**Note:** Contact ZOOK for sizes larger than 24" and or if disk is to be mounted into other style flanges

## Manufacturing Design Range & Total Performance Tolerance

Burst Pressure				Burst Tolerance	Total Performance Tolerance
Minimum		Maximum			
psig	barg	psig	barg	psig	barg
1.0	0.069	<2.5	<0.172	±0.33	±0.023
2.5	0.172	<5.0	<0.345	±0.5	±0.035
5.0	0.345	<7.0	<0.483	±0.5	±0.035
7.0	0.483	<11.0	<0.759	±0.8	±0.055
11.0	0.759	<15	<1.034	±1.3	±0.090
15.0	1.034	<26	<1.793	±2.0	±0.138
26.0	1.793	<40	<2.758	±2.0	±0.138
40.0	2.758	Max		±5%	±5%

**Note:** Burst tolerances are the maximum expected variation from the disk's marked burst pressure

Teflon - Trademark of The Chemours Company



ARD\_082023

[zookdisk.com](http://zookdisk.com)



**SERVING AMERICA, CENTRAL & SOUTH AMERICA**  
16809 Park Circle Drive  
Chagrin Falls, Ohio 44022  
United States  
Toll Free: +1 800 543 1043  
Phone: +1 440 543 1010  
E-mail: [sales@zookdisk.com](mailto:sales@zookdisk.com)

**SERVING EUROPE, MIDDLE EAST & AFRICA**  
Navigation House, Bridge St.  
Killamarsh, Sheffield, S21 1AL  
United Kingdom  
Phone: +44 (0) 1909 560999  
E-mail: [sales.europe@zookdisk.com](mailto:sales.europe@zookdisk.com)

**SERVING CANADA**  
4400 South Service Road  
Burlington, Ontario, L7L 5R8  
Canada  
Toll Free: +1 800 370 6057  
Phone: +1 905 681 2885  
E-mail: [sales.canada@zookdisk.com](mailto:sales.canada@zookdisk.com)

**SERVING ASIA PACIFIC**  
Menara LGB TTDI  
Unit 6-3A, Level 6, Menara LGB,  
No. 1, Jalan Wan Kadir,  
Taman Tun Dr. Ismail,  
60000 Kuala Lumpur, Malaysia  
Phone: +603 2706 0098  
E-mail: [sales.asia@zookdisk.com](mailto:sales.asia@zookdisk.com)

Safety through knowledge and performance.