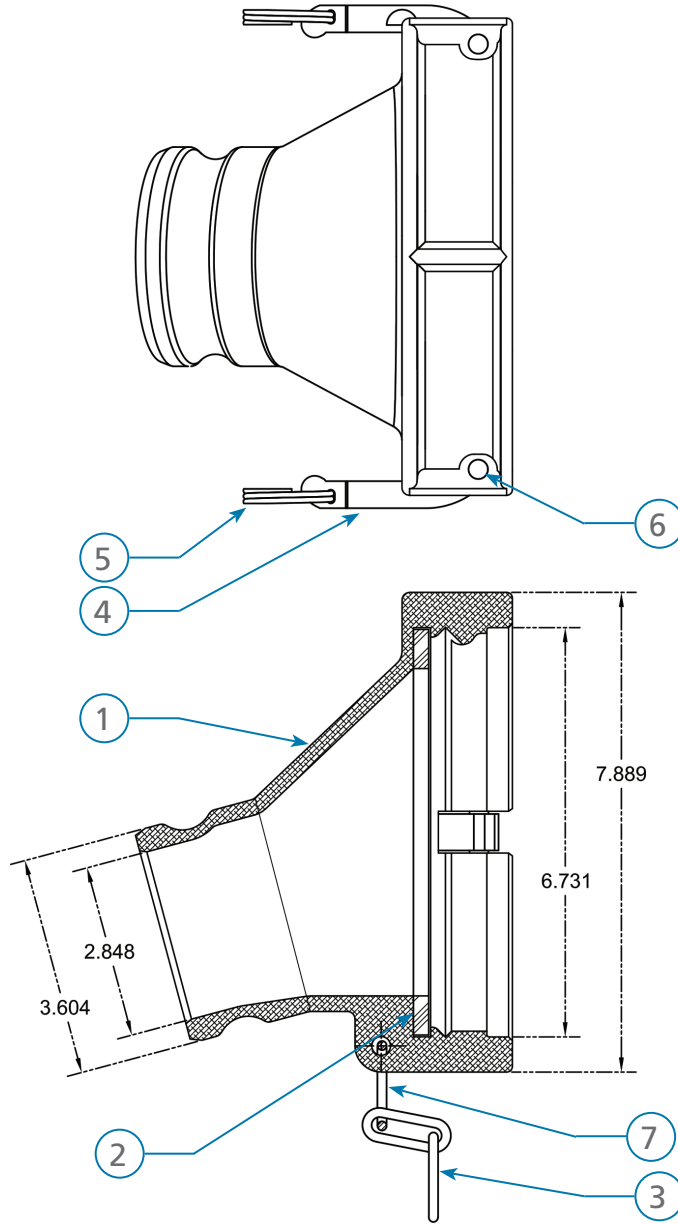


871A-AL4030 4" x 3" Gravity Coupler

01-02-002RP



ITEM	PART NUMBER	DESCRIPTION	QTY
1	E10086A	BODY, MACHINED	1
2	H08347M	GASKET, BUNA-N	1
2	H20462M	GASKET, VITON	1
3	H20325M	CHAIN	1
4	12629 ¹	CAM ARM	2
5	H20050M ¹	FINGER RING	2

ITEM	PART NUMBER	DESCRIPTION	QTY
6	H20144M ¹	GROOVE PIN	2
7	H08328M	CONNECTOR RING	1

REPAIR KITS	
871-ARM KIT	CAM LEVER REPAIR KIT

1 - Included in 871-ARM KIT



www.civacon.com ◆ 9393 Princeton-Glendale Road ◆ Hamilton, Ohio, USA 45011 ◆ Phone: (800) 560-6601

NOTE: All information subject to engineering and/or other changes. All trade names are copyrighted. Patents Pending. ©2018 Civacon. ©2018 Delaware Capital Formation, Inc. All Rights Reserved. DOVER and the DOVER logo are registered trademarks of Delaware Capital Formation, Inc., a wholly-owned subsidiary of Dover Corporation.

Rev E Apr2021