



CORPORATION

GAUGE HATCH

6000 SERIES



6000 SERIES

The Groth 6000 Series provides access for gauging or obtaining product samples from storage tanks. The Model 6100 incorporates a positive cover hold down which results in a premium tight seal on tanks with internal pressures up to 3 psig. Gasketed covers are recommended on tanks with high pressure settings.

Technical Details

- Sizes: 4" (DN 100) through 10" (DN 250)
- Materials: Aluminum, Carbon Steel, Stainless Steel, special materials upon request

Features

- Designed to provide precision uniform seating
- Serrated foot lever surface to avoid foot slippage when opening
- Permits the use of both hands during gauging or sampling
- Gravity will close the cover upon removal of pressure on the foot lever

Options

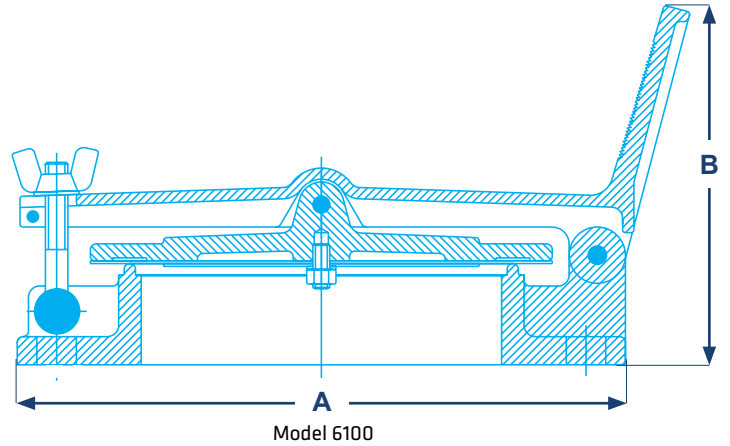
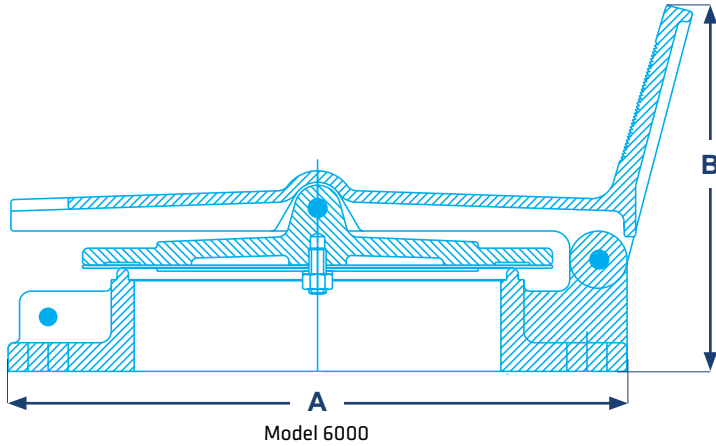
- Free lift or lockdown cover
- Cushioned Air or Metal to Metal Seating



SPECIFICATIONS

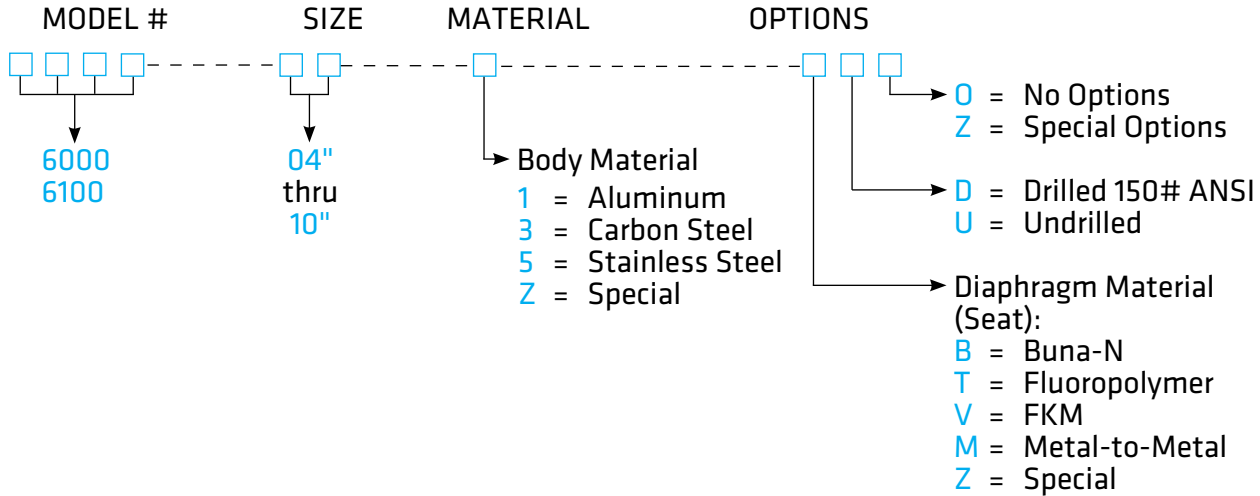
Size Inches (mm)	A Width Inches (mm)	B Height Inches (mm)	Approx. Ship Wt. Lbs. (kg) Aluminum
4 (100)	10 (250)	6 (152)	7 (3)
6 (150)	12.50 (318)	8 (203)	10 (5)
8 (200)	15 (381)	8 (203)	13 (6)
10 (250)	17.75 (451)	9 (229)	17 (8)

Specifications subject to change without notice. Certified dimensions available upon request.



HOW TO ORDER

For easy ordering, select proper model numbers



NOTES

- Include model number and setting when ordering
- For special options, consult factory

EXAMPLE

6 0 0 0 — 0 4 — 1 — T D 0

- Indicates a 4" Model 6000 with Aluminum Body, Fluoropolymer Seat Diaphragm, Drilled Flange and no other options.



GROTHCORP.COM